



Features & Specifications

Round High Bay

INTENDED USE – PLT Round LED high bay fixtures are ideal for one-to-one replacement of conventional lighting systems such as HID and fluorescent in retail stores, warehouses, gyms, industrial areas, and other large commercial spaces. Combined with LED technology, PLT high bays are designed for both junction and pendant mount. With their placement in higher ceilings, LED high bay lights usually have a mounting height between 20 and 40 feet above the floor.

CONSTRUCTION – Heavy-duty die cast aluminum housing with bronze polyester powder paint for corrosion-free durability. Resistant to rough vibrations and external impacts. Created with a fin-style heatsink to help transfer thermal properties more evenly. Polycarbonate lens protects the LEDs and provides even light distribution. Housing is sealed with a silicone gasket, protecting against moisture and environmental contaminants (IP65 rated).

OPTICS – High-performance LEDs maintain a 25,000 Lumen output at 4000K for 50,000 hours of use. ≥80 CRI.

These LED fixtures do not lose Lumens in the same way as a HID fixture, meaning the brightness stays consistent longer and needs to be replaced far less frequently.

ELECTRICAL – Input voltage of 120-277 VAC, 50/60Hz. Integrated 6.5 ft. power and dimming cord with leads. Consider adding a surge protector to protect your fixtures from power surges in your electrical system as an added insurance policy to your investment.

INSTALLATION – A heavy duty hook with lock screw makes installation secure and simple, resulting in reduced installation time, hazard precaution, and additional labor savings.

LISTINGS – UL Certified to safety standards for wet location. Rated for -40°C to 50°C ambient temperature. IP-65 Rated.

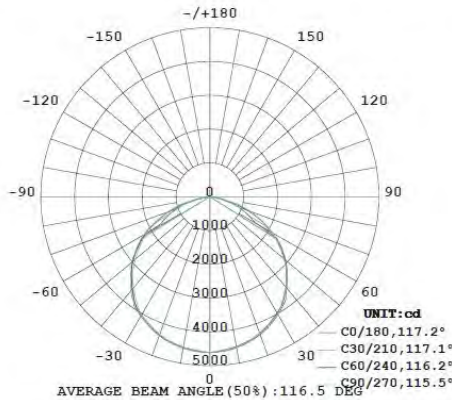
WARRANTY – 5-year warranty. PLT products that are damaged or defective will be repaired or replaced at PLT's choosing for a period of 5 years. Contact 1-800-624-4488 for more information.



Dimensions
Height: 8.71 in.
Diameter: 13.91 in.



Testing Report: LUMINOUS INTENSITY DISTRIBUTION DIAGRAM



SKU #	KELVIN	LUMENS	WATTAGE	VOLTAGE	DLC?	MOUNTING	LIFE HOURS	WARRANTY
PLT-11384	4000K	25,000	200 WATT	120-277V	NO	HOOK MOUNT	50,000	5 YEARS

UFO High Bay

INSTRUCTION MANUAL

- Thank you for purchasing our UFO Highbay. Please read the below articles carefully to see how to use this product safely.
- Warning contents and attention contents related to product safety use, please be sure to follow it.

& Warning

- This UFO High bay within the input voltage range: AC100-277V & AC277-480V, 50/60Hz.
- If input voltage exceeds this range, it may cause tube failure. Please be sure to operate under correct input voltage.
- Ensure ambient operating temperature of (-)40°C through 45°C.
- Using this UFO High bay in temperatures outside of this range will reduce the UFO High bay lifespan.
- Make sure to turn off power before starting the installation process.

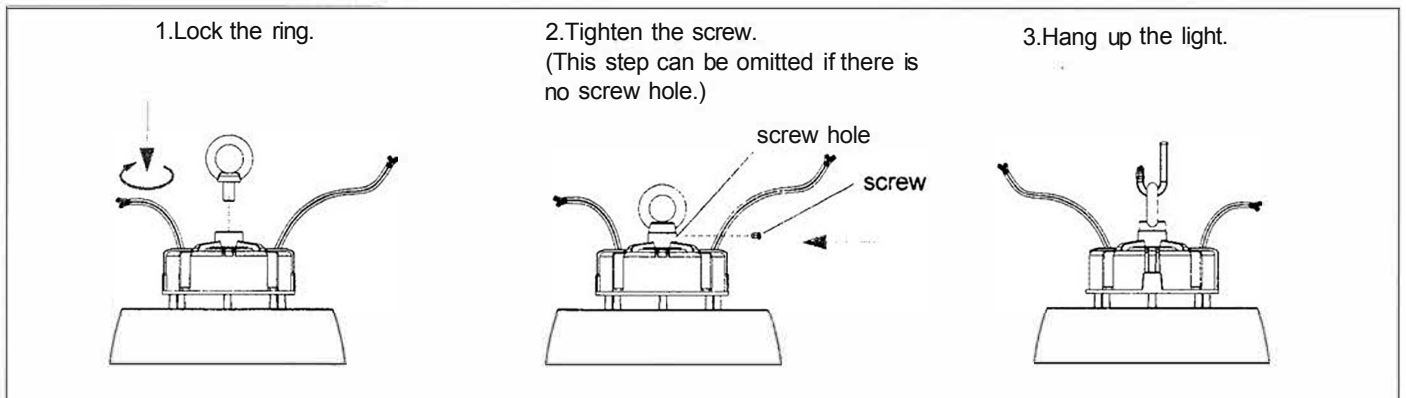
& Attention

- P rating: IP65, can work under wet locations.
- Please keep the UFO High bay away from any corrosive substance. When you clean it, please use damp or dry cloth.

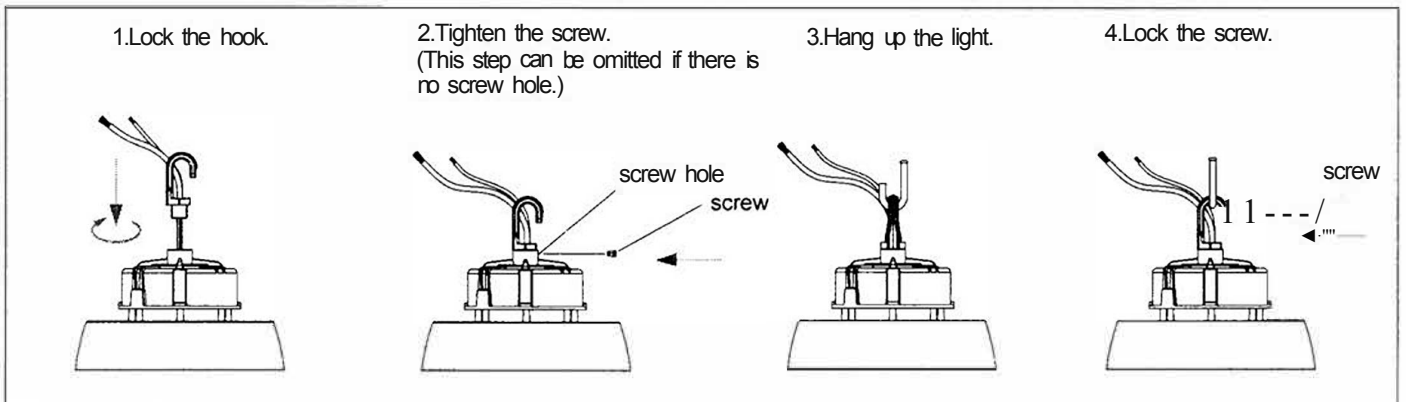
Model	UH80410-100W-110-H-XXK UH80410-100W-110-H1-XXK UH80410-100W-90-H-XXK UH80410-100W-90-H1-XXK UH80410-100W60-H-XXK UH80410-100W60-H1-XXK	UH8041S.150W-110-H-XXK UH8041S.150W-110-H1-XXK UH8041 S1 SOWOOH-XXK UH8041S.150W-90-H1-XXK UH8041S.150W60-H-XXK UH8041S.150W60-H1-XXK	UH80420-200W-110-H-XXK UH80420-200W-110-H1-XXK UH80420-200W-90-H-XXK UH80420-200W-90-H1-XXK UH80420-200W60-H-XXK UH80420-200W60-H1-XXK	UH80410-100W-110-H-HV-XXK UH80410-100W-110-H1-HV-XXK UH80410-100W60-H-HV-XXK UH80410-100W60-H1-HV-XXK	UH8041S.150W-110-H-HV-XXK UH8041S.150W-110-H1-HV-XXK UH8041S.150W-90-H-HV-XXK UH8041 S.150W-90-H1-HV-XXK UH8041S.15 XXK UH8041S.150W60-H1-HV-XXK	UH80420-200W-110-H-HV-XXK UH80420-200W-110-H1-HV-XXK UH80420-200W-90-H-HV-XXK UH80420-200W-90-H1-HV-XXK UH80420-200W60-H-HV-XXK UH80420-200W60-H1-HV-XXK
Power	100W	150W	200W	100W	150W	200W
Input Current	1.1A	1.65A	2.2A	0.398A	0.596A	0.795A
Input Voltage	AC100-277V			AC277-480V		
Frequency	50/60Hz			50/60Hz		

Installation Instruction

1. Rings type:

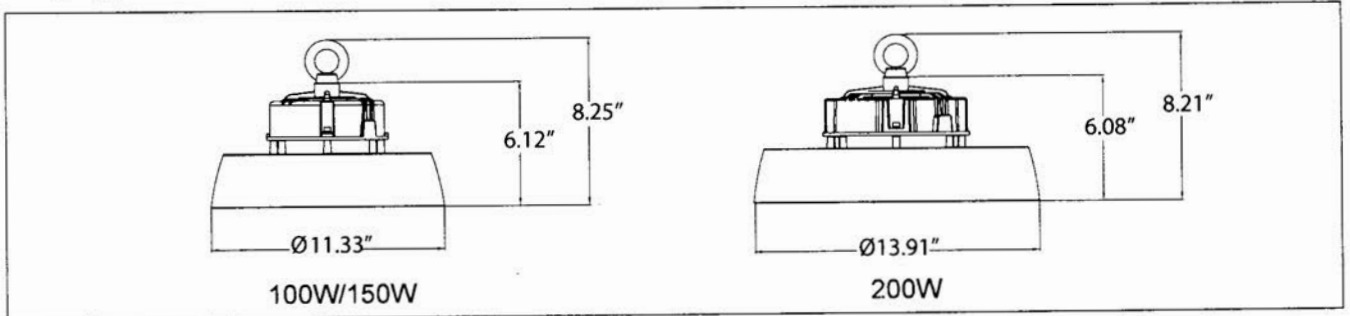


2. Hook type:

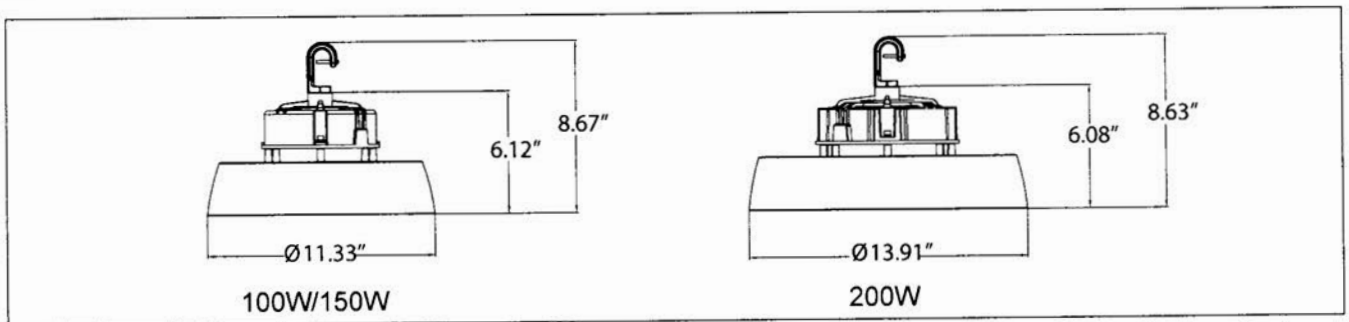


Product Dimension

1. Rings type:



2. Hook type:

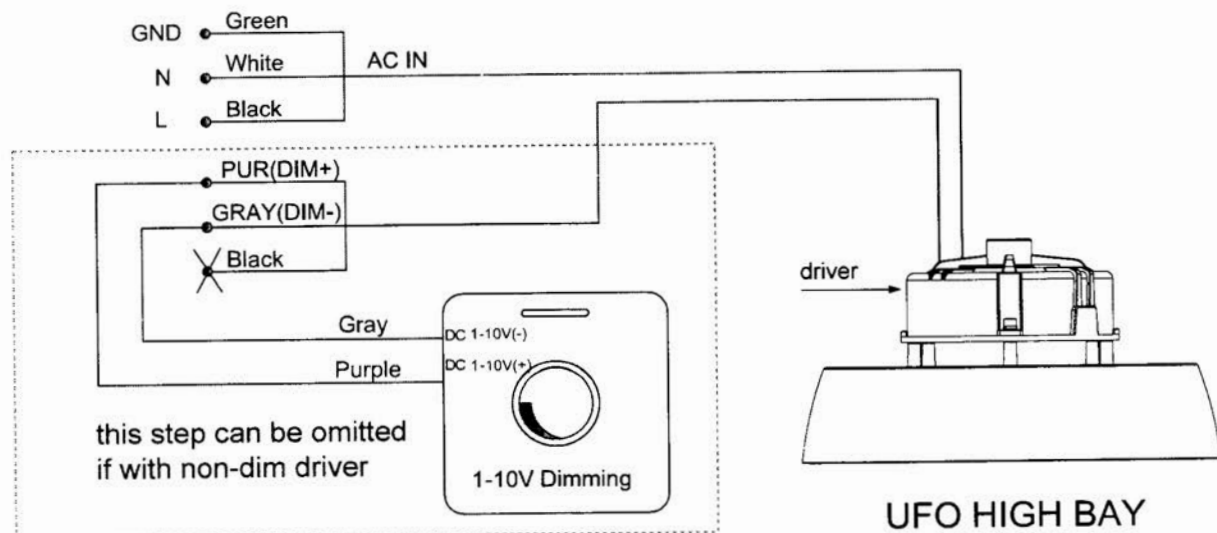


Wiring Connection

Turn off the power, connect AC wire. black wire to L, white wire to N, and green wire to E.

Dimmer connection (With dimmable driver.)

1. Compatible with 1-10V dimming.
2. Connect wires as below, purple wire is D +, gray wire is D -, cap black wire.



The Installation must be carried out by a qualified electrician.