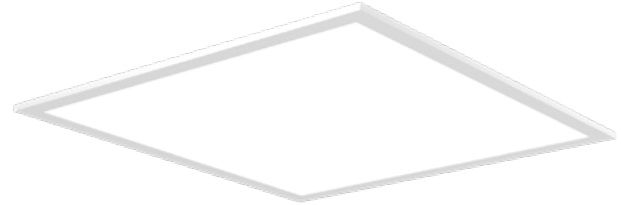


DATE:	LOCATION:
TYPE:	PROJECT:
CATALOG #:	

tradeSELECT™



FEATURES

- Switchable Lumen technology:
4400/3300/2750 lumens (1x4 and 2x2)
5500/4400/3300 lumens (2x4)
- 1x4, 2x2, and 2x4 sizes
- 80 CRI
- 0–10V dimming to 10%
- Recessed or surface mount
- Universal voltage (120–277V)
- IC rated
- Smooth even illumination across the face of the luminaire



SPECIFICATIONS

CONSTRUCTION

- Aluminum lens frame has a matte white finish
- Luminaire housing is die formed code-gauge steel

OPTICS

- Acrylic micro-optics over each LED provide edge to edge illumination without pixelation or bright spots
- Frosted/textured lens provides smooth surface brightness

INSTALLATION

- Integral T-bar clips for secure mounting to grid ceiling
- For surface mount applications use surface mount kit accessories

INSTALLATION (CONTINUED)

- For plaster or sheet rock installations, use flange kit accessories

ELECTRICAL

- 60,000 hour LEDs at L70 for reduced maintenance
- Operates at 120–277V
- 0–10V dimmable driver, down to 10%
- Switchable Lumen technology allows for easy field-adjustable lighting output with three level switch located on back of panel
- Switchable Lumen fixtures ship at the highest lumen output

CERTIFICATIONS

- All luminaires are built to UL 1598 standards and bear appropriate UL labels
- Damp location label standard
- Adheres to LM79, LM80, and TM21 industry standards for photometrics and lifetime calculations

WARRANTY

- 5 year warranty
- See [HLI Standard Warranty](#) for additional information

ORDERING GUIDE

Catalog Number	UPC	Description	Delivered Lumens	Watts	LPW
CBT14-LS35	00840141400013	1x4 Back-Lit Troffer, 4400/3300/2750 Switchable Lumens, 3500K	4444	42	107
			3502	31	114
			2989	25	120
CBT14-LS40	00840141400020	1x4 Back-Lit Troffer, 4400/3300/2750 Switchable Lumens, 4000K	4404	41	108
			3467	30	117
			2941	24	122
CBT22-LS35	00840141400037	2x2 Back-Lit Troffer, 4400/3300/2750 Switchable Lumens, 3500K	4474	40	111
			3583	30	119
			2991	24	122
CBT22-LS40	00840141400044	2x2 Back-Lit Troffer, 4400/3300/2750 Switchable Lumens, 4000K	4550	40	113
			3625	30	121
			3070	24	126
CBT24-LS35	00840141400051	2x4 Back-Lit Troffer, 5500/4400/3300 Switchable Lumens, 3500K	5842	50	118
			4890	39	125
			3856	29	132
CBT24-LS40	00840141400068	2x4 Back-Lit Troffer, 5500/4400/3300 Switchable Lumens, 4000K	5964	50	120
			4963	39	127
			3877	29	133

Accessories (Order Separately)	
PLD10M	Dual-Lite® Emergency LED Battery Pack, field installed
PLRTS	Remote Test Switch/Charge Indicator Module (fits single-gang box)
FK14	1x4 Single Flange Kit
FK22	2x2 Single Flange Kit
FK24	2x4 Single Flange Kit
CBTSMK14	1x4 CBT Surface Mount Kit
CBTSMK22	2x2 CBT Surface Mount Kit
CBTSMK24	2x4 CBT Surface Mount Kit

KEY DATA	
Lumen Range	2941–5964
Wattage Range	24–50
Efficacy Range (LPW)	107–133
Reported Life (Hours)	L70/60,000
Input Current (mA)	86–417

CBT

BACK-LIT LED TROFFER

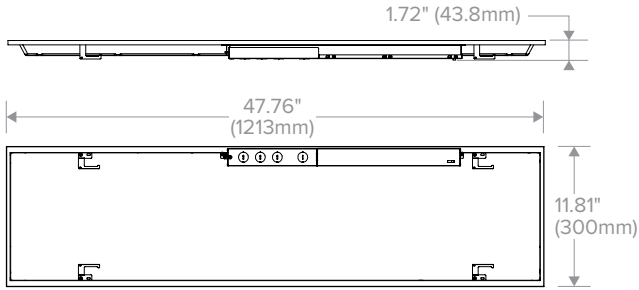
DATE: _____ LOCATION: _____

TYPE: _____ PROJECT: _____

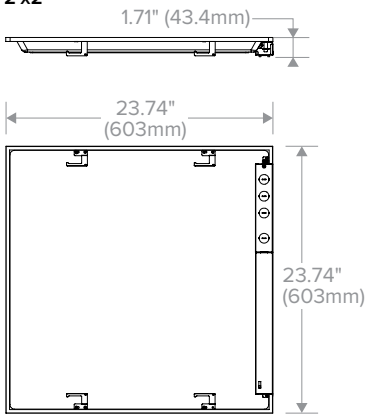
CATALOG #: _____

DIMENSIONS

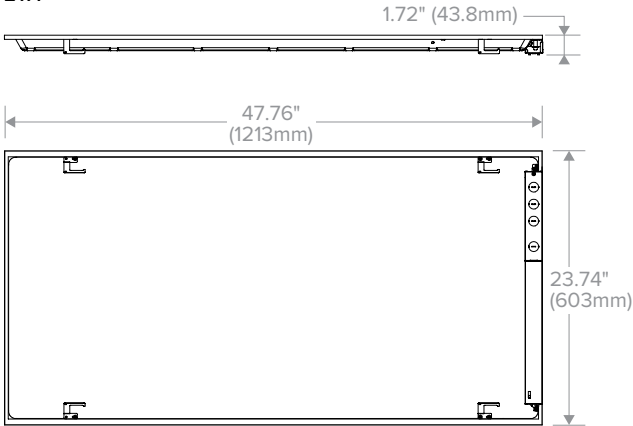
1'x4'



2'x2'



2'x4'



ADDITIONAL INFORMATION

- 3300 LM •
- 4400 LM •
- 5500 LM •



Switchable Lumen technology

PHOTOMETRY

CBT14-LS35

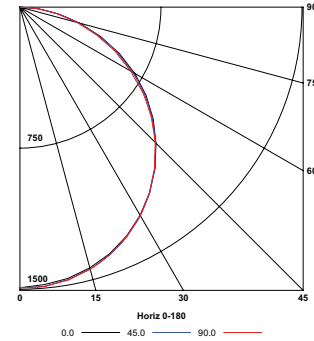
LUMINAIRE DATA

Test No.	CBT14-LS35_4400lm
Description	CBT Back-lit Troffer 1'x4' 3500K 4400lm
Delivered Lumens	4454
Watts	41.65
Efficacy	107
Mounting	Recessed
Spacing Criterion	0° = 1.27 90° = 1.27

ZONAL LUMEN SUMMARY

Zone	Lumens	% Luminaire
0-30	1170	26.3
0-40	1924	43.2
0-60	3439	77.2
0-90	4454	100.0
0-180	4454	100.0

POLAR GRAPH



CBT22-LS35

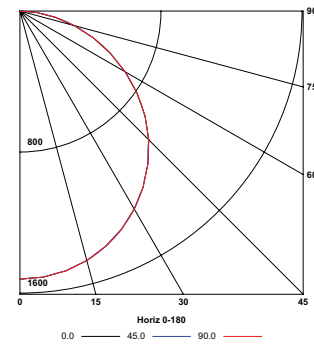
LUMINAIRE DATA

Test No.	CBT22-LS35_4400lm
Description	CBT Back-lit Troffer 2'x2' 3500K 4400lm
Delivered Lumens	4484
Watts	40.33
Efficacy	111
Mounting	Recessed
Spacing Criterion	0° = 1.26 90° = 1.26

ZONAL LUMEN SUMMARY

Zone	Lumens	% Luminaire
0-30	1189	26.5
0-40	1953	43.6
0-60	3476	77.5
0-90	4484	100.0
0-180	4484	100.0

POLAR GRAPH



CBT24-LS35

LUMINAIRE DATA

Test No.	CBT24-LS35_5500lm
Description	CBT Back-lit Troffer 2'x4' 3500K 5500lm
Delivered Lumens	5855
Watts	49.71
Efficacy	118
Mounting	Recessed
Spacing Criterion	0° = 1.27 90° = 1.26

ZONAL LUMEN SUMMARY

Zone	Lumens	% Luminaire
0-30	1542	26.3
0-40	2535	43.3
0-60	4526	77.3
0-90	5855	100.0
0-180	5855	100.0

POLAR GRAPH

