

LED ET8-4140H-18



Lamp Class: T8 Hybrid (A+B)

Product Description

A smart energy-saving alternative to traditional fluorescent lighting, the Euri Lighting ET8-4140H-18 outputs high lumens for low watts. With hybrid technology, this 4-foot LED tube makes for uncomplicated installation with or without a ballast. Shatterproof glass and built to last 50,000 hours, Euri Lighting's ET8-4140H-18 reduces energy and maintenance worries with every use. See Euri Lighting ET8-4150H-18 for Cool White (5000K).



Estimated Energy Cost: \$2.16–2.38 per year

*Note: Design, features and specifications subject to change without notice. Some features may not be available on all models. Please visit www.eurilighting.com or call 1-888-743-5766 for more information.



LED Hybrid Tube

Hybrid technology reduces maintenance expenses and allows adaptable installation methods whether a ballast is present or not

Specifications

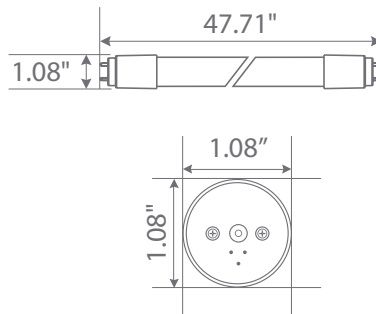
	Input Power	Lumen Output	Luminous Efficacy	Estimated Yearly Cost	Input Voltage
Plug & Play (Type A)	19.78 W	2392 lm	121 lm/W	\$2.38	AC120-277 V
Bypass (Type B)	18 W	2160 lm	120 lm/W	\$2.16	

CCT	CRI	Beam Angle	Power Factor	Input Current	Base/Cap	Lamp Lifespan
4000 K	80	320°	0.9	0.16 A	G13	50,000 Hrs.

Product Features

- Energy Efficient
- Damp Rated
- Shatterproof Glass
- Single & Double Ended

Product Dimensions



Lamp Holder Compatibility

Single Ended (Non-Shunted)



Double Ended (Shunted)

