

LED EUB-2150H

5000K
CCT

Linear Class: U-Shaped T8 (A+B)

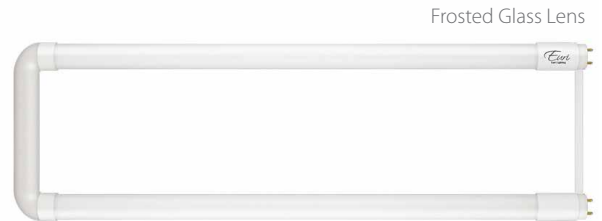
Product Description

A smart energy-saving alternative to traditional fluorescent lighting, the Euri Lighting EUB-2150H outputs high lumens for low watts. With hybrid technology, this U-Shaped LED tube makes for uncomplicated installation with or without a ballast. Shatterproof glass and built to last 50,000 hours, Euri Lighting's EUB-2150H reduces energy and maintenance worries with every use. See Euri Lighting EUB-2140H for Bright White (4000K).



Estimated Energy Cost: \$1.80 - 2.10 per year

*Note: Design, features and specifications subject to change without notice. Some features may not be available on all models. For more information please visit: www.eurilighting.com or call 1-888-743-5766



LED Hybrid Tube

Hybrid technology reduces maintenance expenses and allows adaptable installation methods whether a ballast is present or not

Specifications

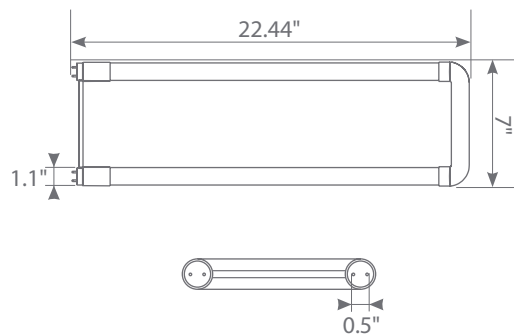
	Input Power	Lumen Output	Luminous Efficacy	Estimated Yearly Cost	Input Voltage
Plug & Play (Type A)	17.5 W	2150 lm	122.8 lm/W	\$2.10	AC120-277 V
Bypass (Type B)	15 W	1950 lm	130 lm/W	\$1.80	

CCT	CRI	Beam Angle	Power Factor	Input Current	Base/Cap	Lamp Lifespan
5000 K	83	340°	0.9	0.13 A	G13	50,000 Hrs.

Product Features

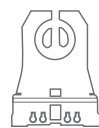
- Energy Efficient
- Damp Rated
- Shatterproof Glass
- Single & Double Ended

Product Dimensions



Lamp Holder Compatibility

Single Ended
(Non-Shunted)



Double Ended
(Shunted)

