

VT Series



Description:

The VT Series fixtures are usually used in environments which require water-proof, dust-proof lighting. They are widely used in parking garages, food manufacturing plants, cold storage, and other indoor spaces. The VT Series fixtures can be ceiling mounted or suspension mounted. Their body is constructed of eco-friendly polycarbonate which is stable in many varied environments. Energy savings of 70% or higher are realized with 135 lumens per watt efficient LED's. With an optional built-in microwave sensor, beautiful appearance, and convenient installation, these VT Series fixtures are excellent choices for many varied applications. Built with intelligent and durable construction features, high quality LED's, and an iron encased power supply, these VT Series fixtures boast a 50,000 hour rated lifetime.

Features:

1. The LED panel is secured to the fixture housing with shock-proof, easily operated buckles which are held in place with vibration-proof metal elevations.
2. Internal wiring connections are screwless, featuring tool-free press-type wiring.
3. The metal casing of the power supply effectively conducts heat from the internal driver components thereby cooling them and maintaining the long driver lifetime.
4. The milky white lens is highly transmissive providing uniform, glare-free illumination.
5. Metal clips hold the lens captive facilitating installation.
6. Features an installed plastic PG13.5 waterproof cable connection and second loose PG13.5 waterproof cable connection if through wiring of multiple fixtures is desired. PG13.5 waterproof cable connections are designed to be used with 6-10 millimeter diameter electrical cables.
7. The polycarbonate housing is lightweight and suitable for ceiling and suspension mounting.
8. The polycarbonate housing boasts IK08 impact resistance.
9. VT Series fixtures boast a -4 to 113 degree Fahrenheit operating temperature range while providing slight grade corrosion protection.

Technical parameters:

Model	CCT	Lumen (lm) (± 10%)	Beam angle	LED Type	Voltage frequency	Power(w) (± 10%)	Max. current (A)	CRI	PF
PLTS41211	5000K	4200	120°	SMD2835	AC100-277V 50/60Hz	30	0.4A	≥ 80	≥ 0.9
PLTS41212	4000K	4080	120°						
PLTS41214	3500K	3900	120°						
PLTS41213	3000K	3900	120°						
PLTS42411	5000K	5600	120°	SMD2835	AC100-277V 50/60Hz	40	0.5A	≥ 80	≥ 0.9
PLTS42412	4000K	5440	120°						
PLTS42414	3500K	5200	120°						
PLTS42413	3000K	5200	120°						
PLTS43411	5000K	8400	120°	SMD2835	AC100-277V 50/60Hz	60	0.7A	≥ 80	≥ 0.9
PLTS43412	4000K	8160	120°						
PLTS43414	3500K	7800	120°						
PLTS43413	3000K	7800	120°						

D02=0-10V normal type with milky cover series

Technical parameters of sensor series :

Model	CCT	Lumen (lm) (± 10%)	Beam angle	LED Type	Voltage frequency	Power(w) (± 10%)	Max. current (A)	CRI	PF
PLTS42421	5000K	5600	120°	SMD2835	AC100-277V 50/60Hz	40	0.5A	≥ 80	≥ 0.9
PLTS42422	4000K	5440	120°						
PLTS42424	3500K	5200	120°						
PLTS42423	3000K	5200	120°						

S02=Sensing normal type with milky cover series

Sensor function introduction

VT Sensor Series fixtures include a microwave sensor to detect moving objects through the emission and reception of high-frequency microwaves in conformance with the doppler frequency shift principle and the ISM 5.8Hz radio band. The detection signal can penetrate plastic, glass, wood panels, and other thin non-metallic objects. Boasting a long detection distance and wide detection angle, the sensor will detect any moving object without being affected by environmental noise, temperature, nor humidity.



Light output increases to 100% and remains at that level for 3 minutes (or some other selectable "holding period") whenever a moving object is detected.



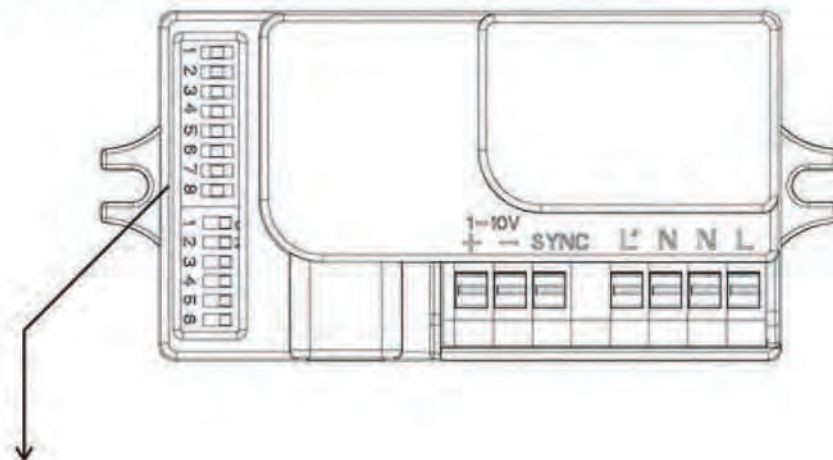
If a moving object is not detected after the "holding" period expires, light output decreases to 30% (or some other selectable level) and remains at that level until additional movement is detected. If desired, a "standby" period can be selected.



If a moving object is not detected after the selected "standby" period expires, the light will turn off.

Sensor function setting

The detection range, holding time, standby cycle, standby brightness, and the sensor's light function in response to ambient light levels can be set with dip switches on the sensor if there's a desire to move away from the default settings.



ON ↓		1	2	
	I	ON	ON	100%
	II	-	ON	75%
	III	ON	-	50%
	IV	-	-	25%

Detection range

The detection range can be set to 25, 50, 75, or 100%. The factory default setting is 100%.

ON ↓		3	4	5	
	I	ON	ON	ON	5S
	II	-	ON	ON	30S
	III	ON	-	ON	90S
	IV	-	-	ON	3min
	V	ON	ON	-	20min
	VI	-	-	-	+∞

Holding time

When a moving object is not detected, the fixture will remain at 100% light output for 5 seconds, 30 seconds, 90 seconds, 3 minutes, 20 minutes, or it will always stay at 100% light output. The factory default setting is 3 minutes.

ON ↓		6	7	8	
	I	ON	ON	ON	5S
	II	-	ON	ON	5S
	III	ON	-	ON	5min
	IV	-	-	ON	10min
	V	ON	ON	-	30min
	VI	-	ON	-	1h
	VII	-	-	-	+∞

Standby cycle

When a moving object is not detected and the holding time has expired, the light output will decrease to a lower level. The light will turn off or remain at a lower "standby brightness" for 5 seconds, 5 minutes, 10 minutes, 30 minutes, 1 hour, or it will remain at the lower "standby brightness" until movement is detected once again. The factory default setting will maintain the lower "standby brightness" until movement is detected once again.

ON ↓		1	2	
	I	ON	ON	50%
	II	-	ON	30%
	III	ON	-	20%
	IV	-	-	10%

Standby brightness

When a moving object is not detected and the holding time has expired, the light output will decrease to 10, 20, 30, or 50%. The factory default setting is 30%.

ON ↓		3	4	5	6	
	I	ON	ON	ON	ON	5lux
	II	-	ON	ON	ON	15lux
	III	ON	-	ON	ON	30lux
	IV	-	-	ON	ON	50lux
	V	ON	ON	-	ON	100lux
	VI	ON	ON	ON	-	150lux
	VII	-	-	-	-	Disabled

Light sensor

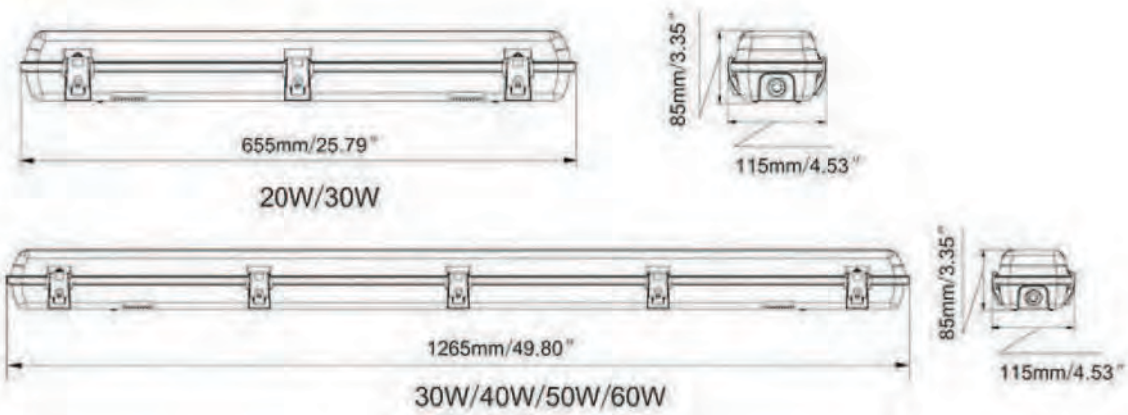
The light sensor detects ambient light levels surrounding the fixture. The sensor can be set to turn on the light whenever motion is detected regardless of the ambient light levels, or it can be set to only turn on the light when motion is detected and ambient light levels are less than 5 lux, 15 lux, 30 lux, 50 lux, 100 lux, or 150 lux. Please note: The light sensor will still detect ambient light levels even when there is no light coming from the fixture. The factory default setting ensures the light will turn on whenever motion is detected regardless of the ambient light levels.

Main application :

VT Series fixtures can be used in warehouses, parking garages, shopping malls, food manufacturing, cold storage, mass transit, underground passage, and many other applications.

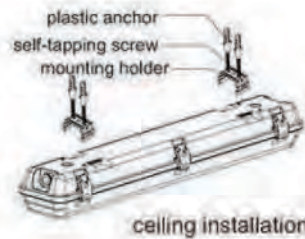
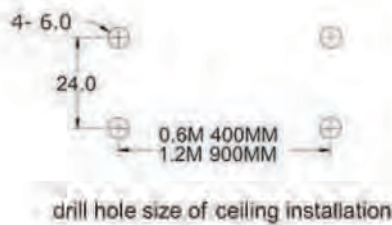
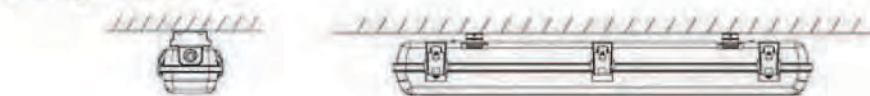


Dimension(Unit:mm):

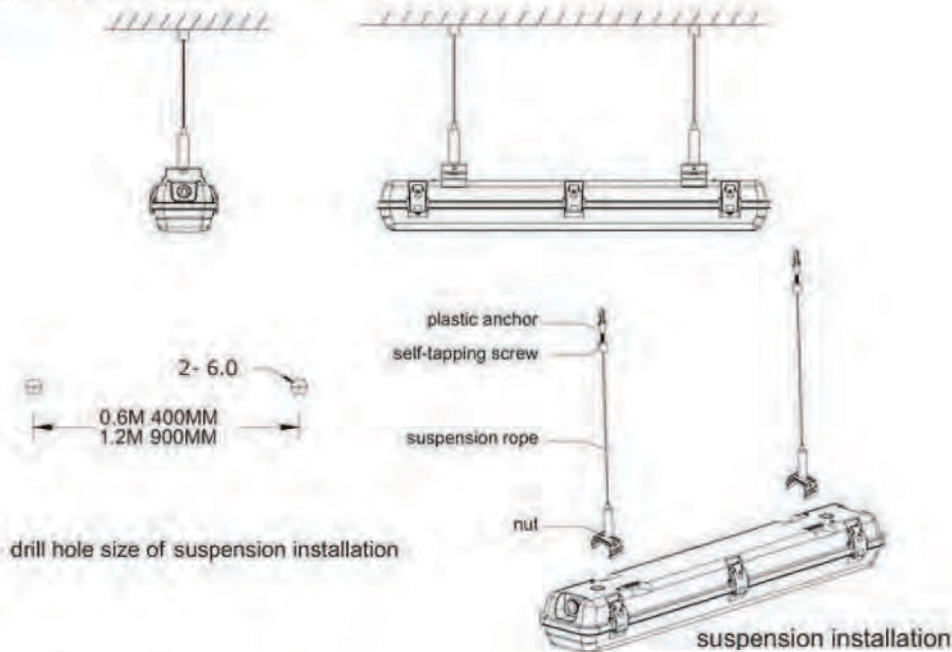


Installation figure:

Ceiling installation A



Suspension installation B



Package information :

product dimension	Inner packaging dimension	Outer carton dimension	Net weight	Gross weight	Qty.
2 ft.	670*130*100mm	690*540*320mm	1.00Kg	1.30Kg	12pcs/Carton
4ft.	1280*130*100mm	1300*410*220mm	1.80Kg	2.40Kg	6pcs/Carton

Installation requirement:

1. Turn power off before installation.
2. Release the metal clips securing the milky white lens to the fixture housing. The lens will hang loose, but it will not fall.
3. Turn the interior grey plastic buckles 90 degrees to free the LED panel from the fixture housing. Since the LED panel is secured to the fixture housing with anti-dropping devices, it will not fall while facilitating easy wiring connections on the back side of the LED panel.
4. Feed the customer-supplied 6-10 millimeter diameter electrical cable through the PG13.5 waterproof cable connection, and insert the individual conductors into the appropriate LED driver ports.
5. Reassemble the LED panel onto the fixture housing turning the grey plastic buckles 90 degrees.
6. Reassemble the milky white lens to the fixture housing securing the metal clips.
7. If the VT Series fixture will be surface mounted, drill four each 6 millimeter holes into the installation surface as presented in Installation Figure A. Then secure the ceiling brackets to the installation surface with the provided plastic anchors and self-tapping screws. Then snap the fixture housing into the ceiling brackets.
8. If the VT Series fixture will be suspended from the ceiling with the optional suspension kit cables (part number LEDF-TP020AWA2101A), drill two each 6 millimeter holes into the installation surface as presented in Installation Figure B. Then secure the cables to the installation surface with the provided plastic anchors and self-tapping screws. Then secure the ceiling brackets to the cable wire locks using the provided nuts, and snap the fixture housing into the ceiling brackets. Finally adjust the cable lengths to the desired suspension depth.

! Notice:

1. Before installing this fixture, please ensure the environment where you intend to install the fixture conforms to the product specifications. Since this fixture provides slight grade corrosion protection, it cannot be used in highly corrosive environments. Contact 1000Bulbs.com if you have special requirements.
2. Please confirm the input voltage and frequency conforms to the product specifications.
3. Professional installation is required, since dangerous 100-277V connections will be made.
4. Do not install this fixture if it was received with damage to the internal electrical conductors or the fixture body.
5. Do not allow water into the fixture body, within the milky white lens, nor onto the LED panel during installation.
6. Ensure good contact of the electrical conductors into the driver ports.