

VT Series

VT2F-030-AW-XXK-YY

VT4F-040/060-AW-XXK-YY



Description:

VT series is usually used in environment which require water-proof,dust-proof lighting, and it is widely used in parking garages,food factory, dust factory, cold storage, station and other indoor places;VT series lamp can be ceiling mounted or suspension mounted;the lamp adopt PC as eco-friendly material,and it can work stably in different environment;the lamp adopt LEDs of high lighting effect up to 150LM/W, and it can save energy 70% above. Built-in sensor, beautiful appearance, convenient to install, suitable for different applications. Power supply with iron shell, equipped with high quality LEDs, lifespan up to 50,000 hours.

Features:

- 1.Knob buckle, easy to operate; add shockproof and anti-loose bumping, more securely;
- 2.Screwless wire connection, tool free (press type wiring);
- 3.Power supply cooling via metal shell, better cooling effect than plastic shell;
- 4.Adopt CLASS P power supply,more flexible choice;
- 5.Milky white cover and strips cover optional;
- 6.Plastic buckle and metal buckle optional;
- 7.When installation, the buckle can hang the PC cover, convenient to connect wire;
- 8.Plastic PG13.5 and quick-connect terminal optional;
- 9.High transmittance top cover, high lighting effect,uniform and soft light;
- 10.Plastic shell, low weight,suitable for ceiling and suspension installation;
- 11.PC cover,impact resistance,IK08;
- 12.Operating environment temperature:-20°C- 45°C;
- 13.Corrosion-proof grade: slight protection.

Technical parameters:

Model	CCT	Lumen (lm) (±10%)	Beam angle	LED Type	Voltage frequency	Power(w) (±10%)	Max. current (A)	CRI	PF
VT2F-030-AW-50K-D02	5000K	4200	120°	SMD2835	AC100-277V 50/60Hz	30	0.4A	≥ 80	≥ 0.9
VT2F-030-AW-40K-D02	4000K	4080	120°						
VT2F-030-AW-35K-D02	3500K	3900	120°						
VT2F-030-AW-30K-D02	3000K	3900	120°						
VT4F-040-AW-50K-D02	5000K	5600	120°	SMD2835	AC100-277V 50/60Hz	40	0.5A	≥ 80	≥ 0.9
VT4F-040-AW-40K-D02	4000K	5440	120°						
VT4F-040-AW-35K-D02	3500K	5200	120°						
VT4F-040-AW-30K-D02	3000K	5200	120°						
VT4F-060-AW-50K-D02	5000K	8400	120°	SMD2835	AC100-277V 50/60Hz	60	0.7A	≥ 80	≥ 0.9
VT4F-060-AW-40K-D02	4000K	8160	120°						
VT4F-060-AW-35K-D02	3500K	7800	120°						
VT4F-060-AW-30K-D02	3000K	7800	120°						

D02=0-10V normal type with milky cover series

Technical parameters of sensor series :

Model	CCT	Lumen (lm) (±10%)	Beam angle	LED Type	Voltage frequency	Power(w) (±10%)	Max. current (A)	CRI	PF
VT4F-040-AW-50K-S02	5000K	5600	120°	SMD2835	AC100-277V 50/60Hz	60	0.7A	≥ 80	≥ 0.9
VT4F-040-AW-40K-S02	4000K	5440	120°						
VT4F-040-AW-35K-S02	3500K	5200	120°						
VT4F-040-AW-30K-S02	3000K	5200	120°						

S02=Sensing normal type with milky cover series

Sensor function introduction

The sensor series VT tri-proof lamp integrate microwave moving sensor, it detect moving object via emitting and receiving high-frequency microwave which conform to ISM 5.8Hz according to doppler frequency shift principle. The detection signal can penetrate plastic, glass, wood panel and other thin non-metal objects. Long detection distance, wide detection angle, it won't be affected by environment noise, temperature, humidity, and it can detect any moving objects.



After moving object is detected, the lamp output 100% brightness and hold some time.



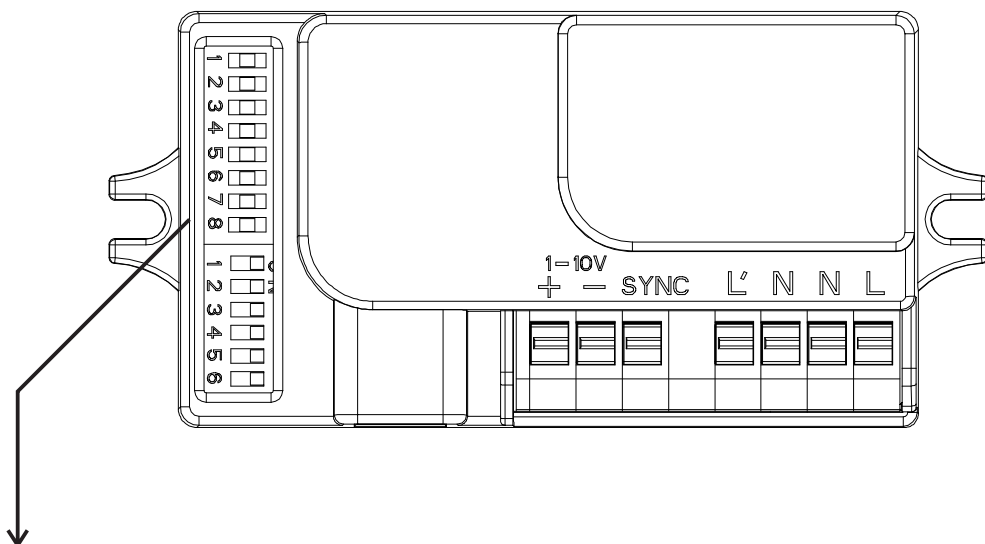
If moving object is not detected again, brightness is decreased as 30% after some time.



If moving object is not detected all the time, the lamp shutdown output.

Sensor function setting

The detection range, holding time, standby cycle, standby brightness, light function of sensor can be chosen via setting dialing switch on sensor.



ON ↑ 		1	2	
	I	ON	ON	100%
	II	-	ON	75%
	III	ON	-	50%
	IV	-	-	25%

Detection range

The detection range can be chosen via setting combination of dialing switch, which conform to more accurate detection range requirement.
Factory default setting:100%

ON ↑ 		3	4	5	
	I	ON	ON	ON	5S
	II	-	ON	ON	30S
	III	ON	-	ON	90S
	IV	-	-	ON	3min
	V	ON	ON	-	20min
	VI	-	-	-	+∞

Holding time

Keeping time that 100% brightness output of lamp after moving object is not detected.
Factory default setting:3min

ON ↑ 		6	7	8	
	I	ON	ON	ON	0S
	II	-	ON	ON	5S
	III	ON	-	ON	5min
	IV	-	-	ON	10min
	V	ON	ON	-	30min
	VI	-	ON	-	1h
	VII	-	-	-	+∞

Standby cycle

After moving object is not detected for long time, after holding time of 100% brightness, the lamp enter into standby time of low brightness. If "+8" mode is set, the lamp will keep slight light when moving object is not detected.
Factory default clock:+8

ON ↑ 		1	2	
	I	ON	ON	50%
	II	-	ON	30%
	III	ON	-	20%
	IV	-	-	10%

Standby brightness

Standby brightness is output brightness of lamp when moving object is not detected for long time after holding time of 100% brightness.
Factory default setting:30%

ON ↑ 		3	4	5	6	
	I	ON	ON	ON	ON	5Lux
	II	-	ON	ON	ON	15Lux
	III	ON	-	ON	ON	30Lux
	IV	-	-	ON	ON	50Lux
	V	ON	ON	-	ON	100Lux
	VI	ON	ON	ON	-	150Lux
	VII	-	-	-	-	Disable

Light sensor

The lamp can be set as: the lamp is permitted to be turned on when environment brightness is lower than setting threshold. If disable mode is set, the lamp will be turned on when detect moving object in any environment brightness.

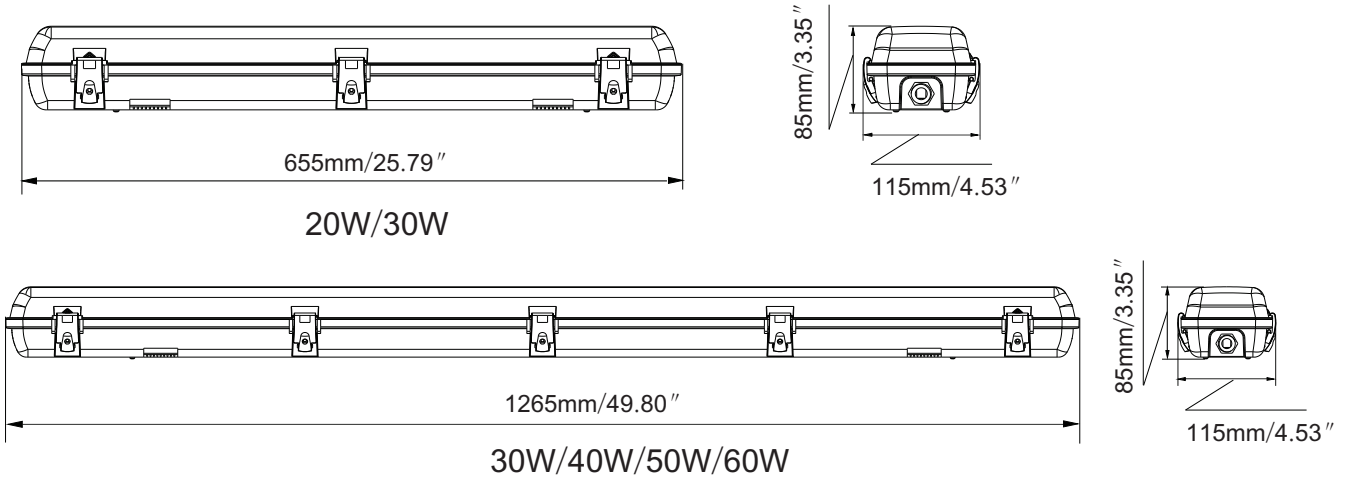
Note: the light sensor will work when lamp is turned off totally.
Factory default setting: disable

Main application :

Tri-proof light can be used in warehouse, parking lot, shopping mall, farm, food factory, cold storage, metro, underground passage and other places.

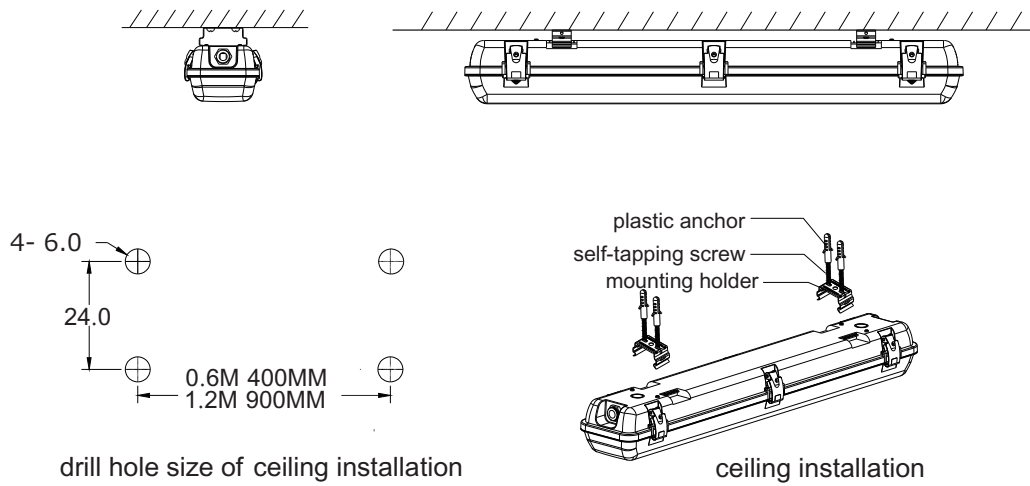


Dimension(Unit:mm):

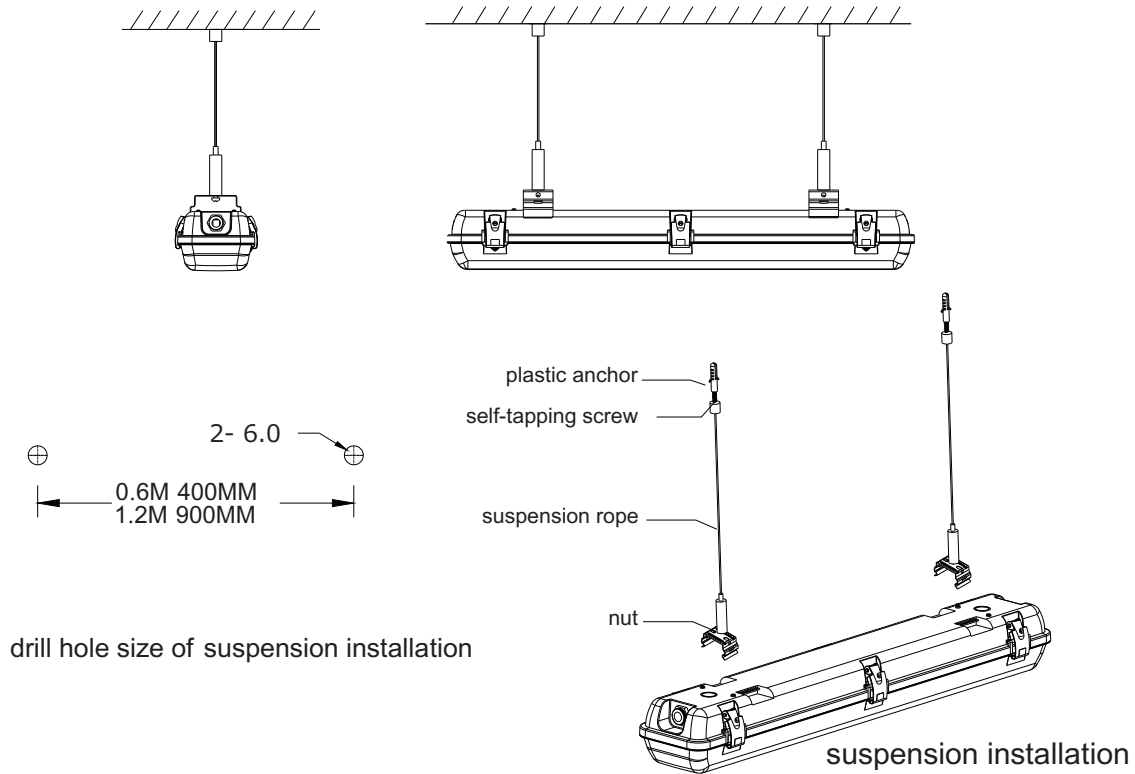


Installation figure:

Ceiling installation A



Suspension installation B



Package information :

product dimension	Inner packaging dimension	Outer carton dimension	Net weight	Gross weight	Qty.
0.6 m	670*130*100mm	690*540*320mm	1.00Kg	1.30Kg	12pcs/Carton
1.2 m	1280*130*100mm	1300*410*220mm	1.80Kg	2.40Kg	6pcs/Carton

Installation requirement:

- 1.Power off before installation;
- 2.Open lamp cover and fixing plate of lamp panel(pay attention to protecting the LEDs);
- 3.Thread input cable through waterproof joint, and through pressing wire plate and fasten it, then insert input thread into quick wiring terminal and ensure reliable contact;
- 4.Reassemble the lamp again;
- 5.Choose ceiling installation, fix ceiling bracket on the installation surface via self-tapping screws and flat gasket, then snap the lamp body into bracket;
- 6.If you choose suspension installation, please first fix the steel wire on the installation surface, and fix the wire lock on bracket with nut, then snap the lamp body into bracket, finally adjust the length of steel wire.

Notice:

1. Please first read the product specification carefully, make sure the using environment conform to specification, then it can be used;
2. Please confirm input voltage, frequency before use;
3. The lamp must be installed by professionals;
4. If there is any damage to the power wire or shell of the product, it should be taken as defective product and do not use it;
5. Dangerous high voltage, non-professionals are not allowed to maintain the product;
6. If external soft cable or soft wire of the light is damaged, it should be replaced by manufacturer or service agent or personnel with similar qualification to avoid danger;
7. When connect wire of AC, the terminal shouldn't press to external skin, ensure good contact;
8. Please do not let water enter the interior, please do not collide with the LEDs' surface;
9. Corrosivity in the using environment can't exceed the anti-corrosion grade regulation, if you have special requirement, please first consult with our company.