



## FEATURES

- Plug & Play Safety Cable included
- UL listed for use in damp locations
- Equivalent to a 400W HID lamp
- 120 degree beam angle
- 4KV surge protection
- E39 Mogul Base
- 5 Year Warranty

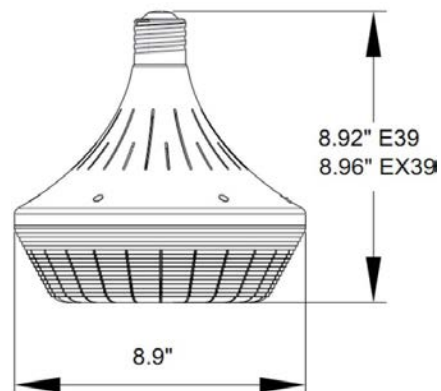


## ENERGY EFFICIENCY & LONG LIFE

60% MORE ENERGY EFFICIENT THAN STANDARD HID LAMPS  
TYPICAL PAYBACK OF 1 - 3 YEARS

SKU#	Kelvin	Lumens	CRI	Wattage	Voltage	DLC?	Base	Life Hours	Warranty
PLT-11164	5000	19,850	80	150	120-277	NO	E39	50,000	5 Years

## ADDITIONAL PHOTOS



## FEATURES

- Unique design helps minimize dust intrusion
- Superior lighting performance

## TYPICAL APPLICATIONS

- Warehouses and Factories
- Convention Centers
- Industrial Buildings

## WARRANTY

**Warranty**

**5 Year**

## SPECIFICATIONS

DIMMABLE .....	NO
DLC LISTED .....	NO
SAFETY RATING .....	UL
CRI .....	80
COLOR .....	DAYLIGHT WHITE
COLOR TEMPERATURE .....	5000K
LIFE HOURS .....	50,000
WATTAGE .....	150 WATTS
LUMENS .....	19,850
VOLTAGE .....	120-277
FINISH .....	SILVER
HOUSING .....	ALUMINUM
BALLAST TYPE .....	BALLAST BYPASS
BASE TYPE .....	MOGUL E39
DIAMETER .....	8.9 IN.
HEIGHT .....	8.92 IN.
WEIGHT .....	3.66 LBS.

## PHOTOMETRICS

LUMINOUS INTENSITY DISTRIBUTION DIAGRAM

