



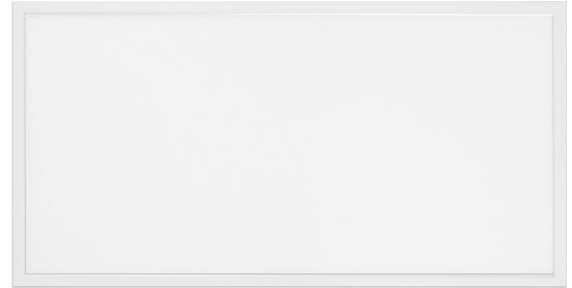
LED EPN24-2051s-2

Class: LED Panel 2 ft. x 4 ft. Class



Product Description

LED EPN24-2051s-2 thoughtfully designed for superior illumination, ultimate efficiency, and easy installation, this 2x4 LED panel offers a larger driver for more space when wiring and a sturdy concave-convex backplate for no light leakage. Double-sided welding provides a seamless, polished frame and PMMA material guarantees perfect light output without the risk of yellowing. Available in flicker-free Cool White (5000K), this fixture LED panel delivers 6250 lumens with just 50 watts. Look for EPN24-2041s-2 for Bright White (4000K).



Estimated Energy Cost: \$6.02 per year

***Note:** Design, features and specifications subject to change without notice. Some features may not be available on all models. For more information please visit: www.eurilighting.com or call 1-310-787-1100

Available only as a twin-pack.
(EPN24-2051s-2 contains 2 LED Panels)

Specifications

Input Power	Input Voltage	Lumen Output	Beam Angle	Center Beam	CCT
50 W	AC100-277V	6250 lm	120°	N/A	5000 K
CRI	Luminous Efficacy	Power Factor	Input Current	Base/Cap	Lamp Lifespan
80	125 lm/W	0.95	0.6 A	N/A	50,000 Hrs.

Product Features



Dimmable



Flicker Free Driver

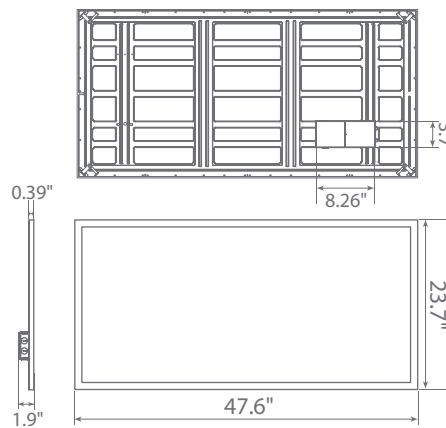


Easy and fast installation

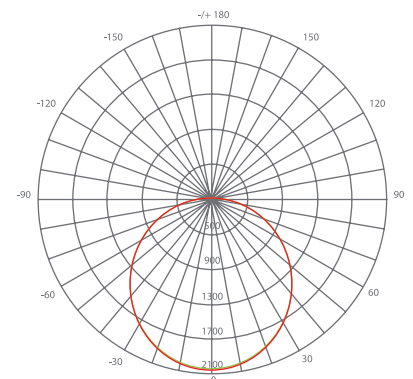


Damp Rated

Product Dimensions



Product Photometric Data



Euri Lighting | A Division of ITRONIX Inc.

20900 Normandie Avenue Bldg. B, Torrance, CA 90502 | Tel: 310.787.1100 | Fax: 310.787.1166 | www.eurilighting.com
©2019 Euri Lighting. All Rights Reserved