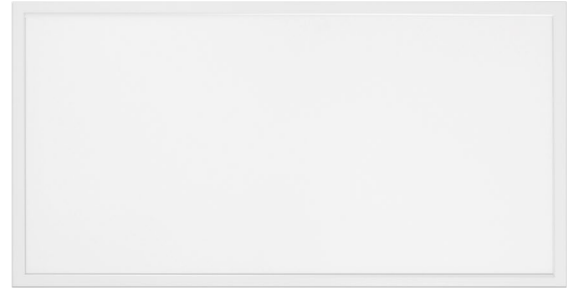


# LED EPN24-2041s-2

Class: LED Panel 2 ft. x 4 ft. Class



## Product Description

**LED EPN24-2041s-2** thoughtfully designed for superior illumination, ultimate efficiency, and easy installation, this 2x4 LED panel offers a larger driver for more space when wiring and a sturdy concave-convex backplate for no light leakage. Double-sided welding provides a seamless, polished frame and PMMA material guarantees perfect light output without the risk of yellowing. Available in flicker-free Bright White (4000K), this fixture LED panel delivers 6250 lumens with just 50 watts. Look for EPN24-2051s-2 for Cool White (5000K).



**Estimated Energy Cost:** \$6.02 per year

\*Note: Design, features and specifications subject to change without notice. Some features may not be available on all models. For more information please visit: [www.eurilighting.com](http://www.eurilighting.com) or call 1-310-787-1100

**Available only as a twin-pack.**  
(EPN24-2041s-2 contains 2 LED Panels)

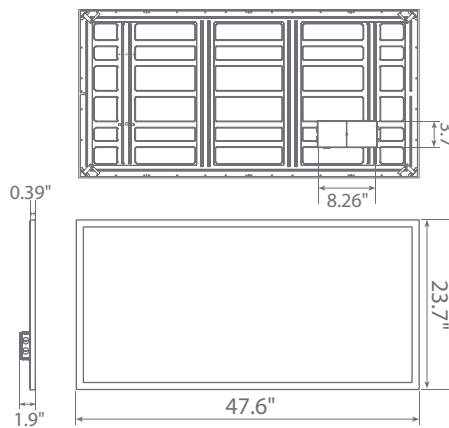
## Specifications

Input Power	Input Voltage	Lumen Output	Beam Angle	Center Beam	CCT
50 W	AC100-277V	6250 lm	120°	N/A	4000 K
CRI	Luminous Efficacy	Power Factor	Input Current	Base/Cap	Lamp Lifespan
80	125 lm/W	0.95	0.6 A	N/A	50,000 Hrs.

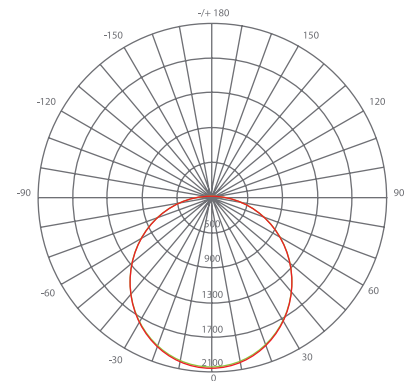
### Product Features

- Dimmable
- Flicker Free Driver
- Easy and fast installation
- Damp Rated

### Product Dimensions



### Product Photometric Data



**Euri Lighting | A Division of ITRONIX Inc.**