

# LED DLC4S-10W105se



Fixture Class: 4" Slim Fixed

## Product Description

The Euri Lighting DLC4S-10W105se ultra-slim, 5CCT selectable, recessed downlight is designed to give you the option between 2700K/3000K/3500K/4000K/5000K all conveniently in one downlight. Its spring-action clips allow for easy installation and reduce maintenance worries. This 4-inch downlight eliminates housing and makes for hassle-free installation. At 650 Lumens and 10 Watts (65-Watt equivalent) input power, the 4" downlight has an average of 35,000 hours of life and is ENERGY STAR certified. The DLC4S-10W105se is IC Rated, recessed and best suited for low residential ceilings working on AC 120V. It's edge-lit LED technology guarantees a long life of uniform light distribution.



**Estimated Energy Cost: \$1.20 per year**

\*Note: Design, features and specifications subject to change without notice. Some features may not be available on all models. Please visit [www.eurilighting.com](http://www.eurilighting.com) or call 1-310-787-1100 for more information.

## Specifications

Input Power	Input Voltage	Lumen Output	Beam Angle	Center Beam	CCT
10 W	120V/60Hz	650 lm	120°	N/A	2700 / 3000 / 3500 / 4000 / 5000K
CRI	Luminous Efficacy	Power Factor	Input Current	Base	Lamp Lifespan
80	65 lm/W	0.9	0.1 A	Junction Box	35,000 Hrs.

### Product Features



Dimmable



Energy Efficient



5CCT Selectable

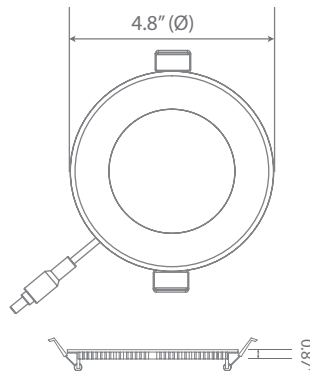


Damp Rated

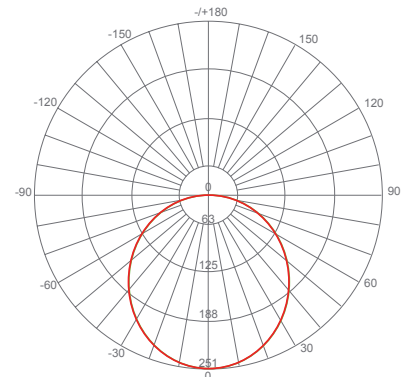


Abutted & Covered

### Product Dimensions



### Product Photometric Data





## **RECOMMENDED DIMMERS BY BRAND**

LUTRON: DVWCL-153PH, MACL-153MR, SCL-153PH, CTCL-WH-C, CT603PG, AY-600, DNG-600, DV-600P, DV-600PH, DV-603, LG-600, GL-600, Q-600, Q-600P, S-603, S-600, TG600PH, VPE04

LEVITON: 6631, 6633, 6674, 6621, IP106, IPI06-4LZ, IPL06-10Z, IPX10-1, MIR-600, RPI06, RTD01, VPM10-1LZ

COOPER: SAL06P-W, S101161-W, AAL96-CZ, R106P