



# LED EP16-4050ew

Part #: EBP16DM/M/7W/450/40D/50K/GU10/E Bulb Class: PAR16



## Product Description

LED EP16-4050ew delivers superior brightness, valuable energy savings, long lasting performance and true color perception. These PAR16 LED spot bulbs are ideal for task lighting due to its uniform \*cool white light (5000K) and replace conventional 50 Watt incandescent light bulbs. Enjoy features such as: instant on, dimming options, shatter resistance, mercury free, 90+CRI and damp rated.



**Estimated Energy Cost:** \$0.84 per year

\*Note: Design, features and specifications subject to change without notice. Some features may not be available on all models. For more information regarding dimmer compatibility please visit: [www.eurilighting.com](http://www.eurilighting.com) or call 1-888-743-5766

## Specifications

| Input Power | Input Voltage     | Lumen Output | Beam Angle    | Center Beam | CCT           |
|-------------|-------------------|--------------|---------------|-------------|---------------|
| 7 W         | 120V/60Hz         | 450 lm       | 40°           | N/A         | 5000 K        |
| CRI         | Luminous Efficacy | Power Factor | Input Current | Base/Cap    | Lamp Lifespan |
| 90          | 64 lm/W           | 0.9          | 0.07 A        | GU10        | 25,000 Hrs.   |

### Product Features



Dimmable



Instant-On/Off

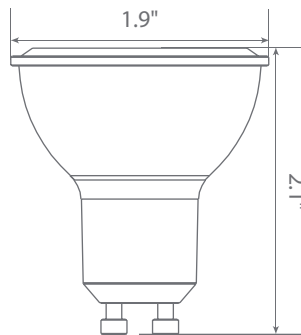


Mercury Free

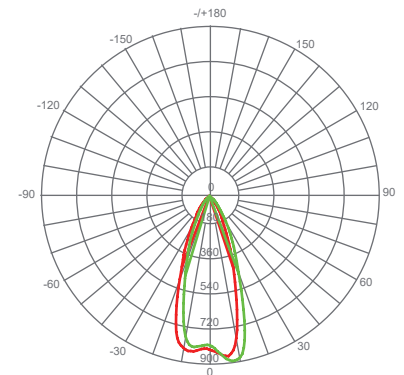


Damp Rated

### Product Dimensions



### Product Photometric Data



Euri Lighting | A Division of IRTRONIX Inc.

20900 Normandie Avenue Bldg. B, Torrance, CA 90502 | Tel: 888.743.5766 | Fax: 310.787.1166 | [www.eurilighting.com](http://www.eurilighting.com)  
 ©2018 Euri Lighting. All Rights Reserved



## RECOMMENDED DIMMERS BY BRAND

LUTRON: DV-603P 600W, LGCL-153CL 600W, DV-603PR 600W, S-600PR-WH 600W

LEVITON: 6631-LA 600W, IPI06 600W, S-600P-WH, LIGHT ALMOND NO.6672 600W, 603-6631-A 600W, 6631-A 600W

GE: 18024 600W

ALMOND: LUXDM600-12 600W

CTL: DM600-12-3 600W

AH: SDM3/1000/WHTTE 1000W, SDM/600/WHTTE 600W