



50W
REPLACEMENT

LED EP16-4020ew

Part #: EBP16DM/M/7W/450/40D/27K/GU10/E Bulb Class: PAR16

2700K
CCT



90+
CRI
True
COLOR

JA8
COMPLIANT

Product Description

LED EP16-4020ew delivers superior brightness, valuable energy savings, long lasting performance and true color perception. These PAR16 LED spot bulbs are ideal for task lighting due to its uniform *warm white light (2700K) and replace conventional 50 Watt incandescent light bulbs. Enjoy features such as: instant on, dimming options, shatter resistance, mercury free, 90+CRI and damp rated.



Estimated Energy Cost: \$0.84 per year

*Note: Design, features and specifications subject to change without notice. Some features may not be available on all models. For more information regarding dimmer compatibility please visit: www.eurilighting.com or call 1-888-743-5766

Specifications

Input Power	Input Voltage	Lumen Output	Beam Angle	Center Beam	CCT
7 W	120V/60Hz	450 lm	40°	N/A	2700 K
CRI	Luminous Efficacy	Power Factor	Input Current	Base/Cap	Lamp Lifespan
90	64 lm/W	0.9	0.07 A	GU10	25,000 Hrs.

Product Features



Dimmable



Instant-On/Off

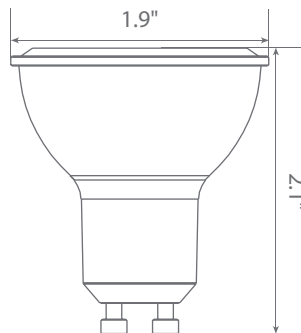


Mercury Free

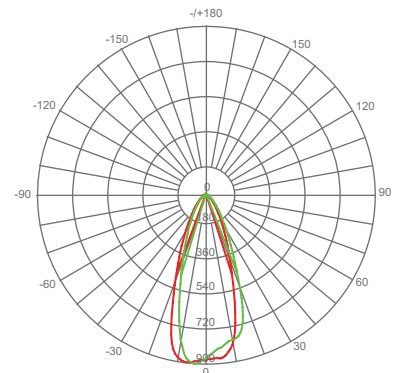


Damp Rated

Product Dimensions



Product Photometric Data



Euri Lighting | A Division of IRTRONIX Inc.

20900 Normandie Avenue Bldg. B, Torrance, CA 90502 | Tel: 888.743.5766 | Fax: 310.787.1166 | www.eurilighting.com
©2018 Euri Lighting. All Rights Reserved



RECOMMENDED DIMMERS BY BRAND

LUTRON: DV-603P 600W, LGCL-153CL 600W, DV-603PR 600W, S-600PR-WH 600W

LEVITON: 6631-LA 600W, IPI06 600W, S-600P-WH, LIGHT ALMOND NO.6672 600W, 603-6631-A 600W, 6631-A 600W

GE: 18024 600W

ALMOND: LUXDM600-12 600W

CTL: DM600-12-3 600W

AH: SDM3/1000/WHTTE 1000W, SDM/600/WHTTE 600W