

LED AREA LIGHTS



FEATURES

- Well suited light distribution for parking lot and roadway lighting.
- Advanced heat sink design makes fixture light in weight and better at heat dissipation
- Installation angle -90 ~ +90° adjustable.
- Beautiful appearance, using CREE LED chips and high quality driver.
- IP65 Rated.
- UL Listed

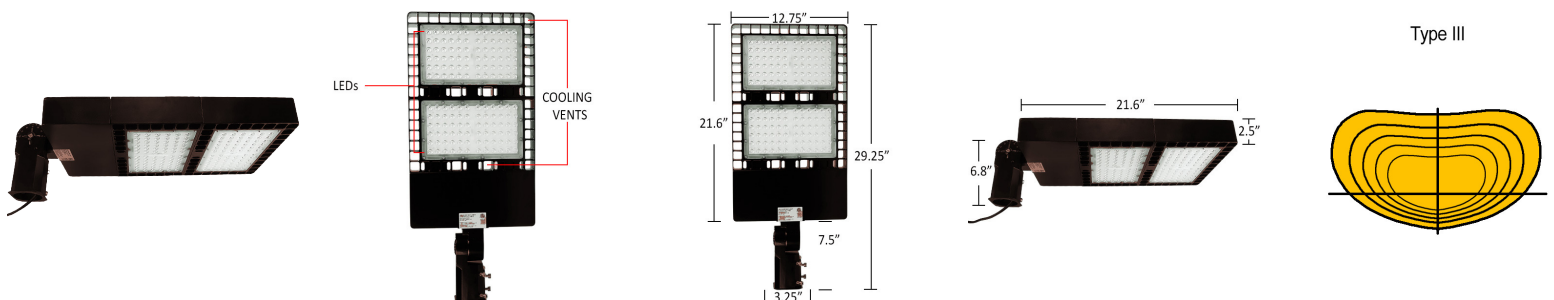


50% ENERGY EFFICIENCY & LONG LIFE
60% MORE ENERGY EFFICIENT THAN STANDARD HID LAMPS
TYPICAL PAYBACK OF 1 - 3 YEARS

SKU #	Kelvin	Lumens	CRI	Wattage	Voltage	DLC?	Mounting	Life Hours	Warranty
-------	--------	--------	-----	---------	---------	------	----------	------------	----------

PLT-10527	5000	4800	N/A	300	120-277	NO	SLIP FITTER	70,000	5 years
-----------	------	------	-----	-----	---------	----	-------------	--------	---------

ADDITIONAL PHOTOS



FEATURES

- Longer life span than Metal Halide
- Minimizes Maintenance Checks
- Type III light distribution

TYPICAL APPLICATIONS

- Security Lighting
- Pedestrian Lighting

WARRANTY

WARRANTY **5 Years**

SPECIFICATIONS

PERFORMANCE

Cree LED Chip
33000 Lumen Output (IES)
300W Power Consumption
120 lm/W Efficacy (IES)
5000K Color Temperature
N/A CRI
>70,000 hrs Lumen Maintenance
120-277 Input Voltage
300W Power Factor

ENVIRONMENTAL

IP65 IP Rating
-40~+45°C Operating Temperature
-40~+80°C Storing Temperature
10%-95% Humidity

PHYSICAL

Dimensions (733.23x 330 x 65mm)
Weight 12.66 kg
Slip Fitter Mounting Options
Fixture Material Die-Casting Aluminum



PHOTOMETRICS NON-SHADED