

UNIVERSAL PL LED INSTALLATION INSTRUCTIONS



These instructions apply to the PL LED models listed in the table below.
 Prior to installation, please read the entire installation instructions.
DANGER - Risk of Electric shock. Disconnect power to the luminaire at the source before installation.
WARNING - Risk of Fire or electric shock. LED Retrofit Kit installation requires knowledge of luminaires electrical systems. If not qualified, do not attempt installation. Contact a qualified electrician. Installation should be performed by a qualified electrician in accordance with the National Electrical Code and relevant local code.
WARNING - Risk of fire or electrical shock. Install this kit only in the luminaires that have the construction features and dimensions shown in the photographs and/or drawings and where the input rating does not exceed the input rating of the luminaire.
WARNING - To prevent wiring damage or abrasion, do not expose wiring to edges of sheet metal or other sharp objects.
CAUTION - If the lamp or luminaire exhibits undesirable operation, immediately turn off the power, remove the lamp and contact the manufacturer.
This device is not intended for use with Emergency Exits



Suitable for use in damp locations. Do not use where exposed to water.
 Suitable for use with 120-277VAC or compatible electronic ballast. Please see list below.
 Suitable for use in open, semi-enclosed or recessed fixtures.
 Not for use in fully enclosed fixtures.

INSTALLATION REQUIREMENTS

Model	Voltage	Ballast Compatibility	Base Type	Environment	Acceptable Fixtures	Minimum Compartment Dims.	
						Diameter	Height
LED-7320-XXK-G2	120-277VAC	See list below.	G24q and GX24q	Suitable for damp locations	Indoor - Open Fixture Indoor Recessed	3.5"	7.0"
LED-7324-XXK-G2							

CONTENTS

1 pc LED Retrofit Lamp

1 pc Re-Lamping Label

1 pc Installation Instructions

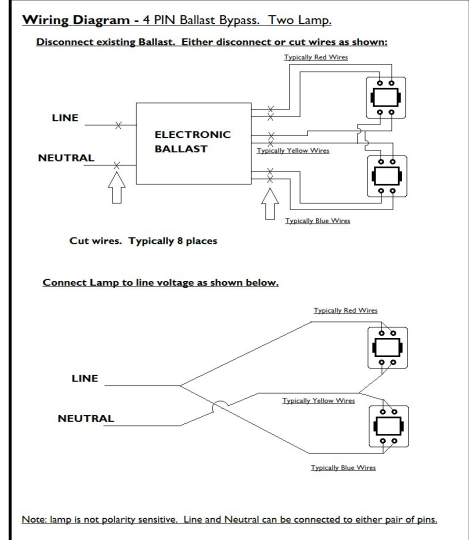
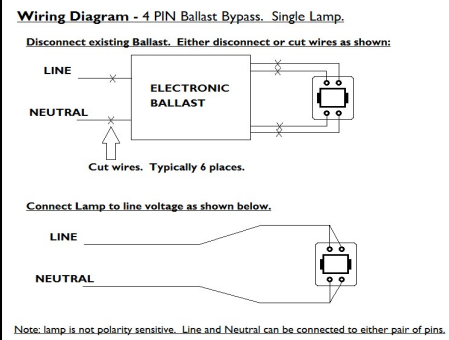
INSTALLATION INSTRUCTIONS

- Turn off power to the luminaire at switch and circuit breaker
 - Allow luminaire to cool and remove lamps
 - Ensure that the luminaire, ballast and electrical input meet the requirements listed above.
 - If using the ballast, please confirm that it is a compatible ballast and then proceed to step 9.
- The compatible ballast list only lists ballasts that were tested. Other ballasts may also work. Do not use with ballast over 26W.
- If bypassing the ballast, please refer to the wiring diagrams.
 - Cut or disconnect the wires to and from the ballast.
 - If desired, remove the ballast.
 - Connect the wires from the power source to the socket leads as shown in the wiring diagrams.
 - Insert the lamp into the lamp holder.
 - Apply the silver adhesive label to the inside of the luminaire where it will be visible during re-lamping.
 - Turn on the power to the fixture and verify proper operation.

If installing the lamp with a ballast, and the lamp does not operate properly, please bypass the ballast (see step 5)

If the lamp does not operate correctly, please contact the manufacturer.

WIRING DIAGRAM AND BALLAST COMPATIBILITY LIST



Ballast Compatibility List

Item	Brand	Model	Volt	1-Lamp		2-Lamp	
				120V	277V	120V	277V
1	GE	GEC218-MVPS-3W	120-277V	✓	✓	✓	✓
2	GE	GEC226-MVPS-3W	120-277V	✓	✓	✓	✓
3	PHILIPS/ADVANCE	ICF-2S18-H1-LD	120-277V	✗	✗	✗	✗
4	PHILIPS/ADVANCE	ICF-2S26-H1-LD	120-277V	✗	✗	✗	✗
5	PHILIPS/ADVANCE	ICF-2S42-M2-LD	120-277V	✗	✗	✗	✗
6	Universal/Triad	C218UNVSE	120-277V	✓	✓	✓	✓
7	Universal/Triad	C213UNVME	120-277V	✓	✓	✓	✓
8	Universal/Triad	C2642UNVME	120-277V	✓	✓	✓	✓
9	ORSRAM	2*26CF/UNV DM(OSRAM)	120-277V	✓	✓	✓	✓
10	SYLVANIA	2*26CF/UNV DM(SYLVANIA)	120-277V	✓	✓	✓	✓
11	FULHAM	WH2-277-L	120-277V	✗	✗	✗	✗
12	HATCH	HC213PS/UV/D	120-277V	✗	✗	✗	✗
13	HATCH	HC218PS/UV/WJ	120-277V	✓	✓	✓	✓
14	HATCH	HC218PS/UV/D	120-277V	✓	✓	✓	✓
15	KEystone	KTEB-226-UV-PS-DW	120-277V	✓	✓	✓	✓
16	PONY	NPY-120-126CFL	120V	✗	✗	✗	✗
				✓	Compatible		
				✗	Not Compatible		