

Industra

by TCP

LED UFO High Bay Luminaires



TCP's easy-to-install LED UFO High Bay Luminaires have a sleek, robust design that meets a variety of application needs.

Combining long life and outstanding efficacy up to 145LPW, TCP offers a cost effective solution to maximize energy and maintenance savings. These LED luminaires instantly deliver brilliant white light, eliminating long warm-up times experienced with HID fixtures.

Reasons to choose the LED UFO High Bay Luminaires from TCP

Energy efficient design delivers up to 145 LPW

Smooth, uniform 0-10V dimming

Instant on

Long life: 50,000 hours

Heavy duty die-cast aluminum housing

IP65 wet location rated

Ideal Applications

- Warehouses & Distribution Centers
- Commercial Facilities
- Aisles (Open & Stock)
- Retailers
- Schools & Municipalities
- Field Houses & Gymnasiums
- Open Ceiling Designs



5 YEAR WARRANTY

To view our DLC qualified products, please consult the DLC Qualified Products List at www.designlights.org/qpl

Applications

This product can be effectively used in many indoor applications such as Convention Centers, Warehouses, Commercial Facilities, Retail Stores, Schools, Gymnasiums, or any open ceiling design.

Construction

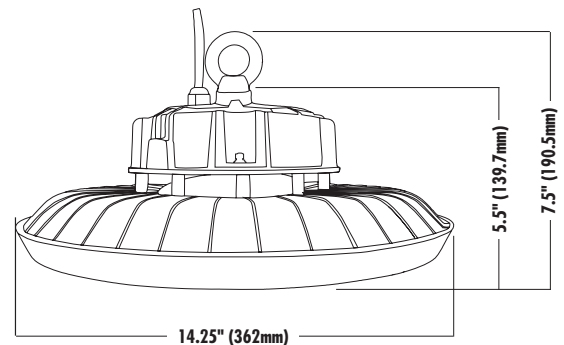
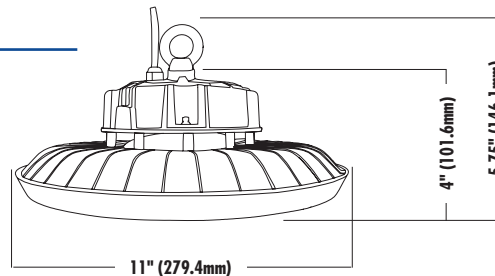
- IP65 rated
- Die-cast aluminum housing
- Impact-resistant acrylic lens
- Durable black powder coat
- Hangs from an included eye bolt
- Operating temperature: -20°C - 40°C

Electrical

- cULus wet location rated
- 6 foot power cord
- 0-10V Dimming
- Power cord and dimming leads extend from the top
- System rated for long 50,000 hour life
- Efficiently delivers up to 145 LPW

Optics

- Clear impact-resistant acrylic lens
- Delivers bright, white light and excellent uniformity



Listings

UL and cUL listed
IP65 Rated
DLC v4.4 Standard

Warranty

Five year limited warranty against defects in manufacturing.

ITEM #	DESCRIPTION	RATED LUMENS	RATED WATTAGE	RATED LPW	VOLTAGE	POWER FACTOR	CCT	CRI	LIFE (HOURS)	L (IN.)	H (IN.)	W (IN.)
UFOUZDB140K	UFO HIBAY 120-277V 100W 145LPW 40K	14000	100	140	120-277V	>90	4000K	>80	50,000	11	4	11
UFOUZDB150K	UFO HIBAY 120-277V 100W 145LPW 50K	14000	100	140	120-277V	>90	5000K	>80	50,000	11	4	11
UFOUZDB240K	UFO HIBAY 120-277V 150W 145LPW 40K	21000	150	140	120-277V	>90	4000K	>80	50,000	11	4	11
UFOUZDB250K	UFO HIBAY 120-277V 150W 145LPW 50K	21000	150	140	120-277V	>90	5000K	>80	50,000	11	4	11
UFOUZDB340K	UFO HIBAY 120-277V 200W 145LPW 40K	29000	200	145	120-277V	>90	4000K	>80	50,000	11	4	11
UFOUZDB350K	UFO HIBAY 120-277V 200W 145LPW 50K	29000	200	145	120-277V	>90	5000K	>80	50,000	11	4	11
UFOUZDB440K	UFO HIBAY 120-277V 250W 145LPW 40K	34800	240	145	120-277V	>90	4000K	>80	50,000	14.25	5.5	14.25
UFOUZDB450K	UFO HIBAY 120-277V 250W 145LPW 50K	34800	240	145	120-277V	>90	5000K	>80	50,000	14.25	5.5	14.25
UFOUZDB540K	UFO HIBAY 120-277V 300W 145LPW 40K	43500	300	145	120-277V	>90	4000K	>80	50,000	14.25	5.5	14.25
UFOUZDB550K	UFO HIBAY 120-277V 300W 145LPW 50K	43500	300	145	120-277V	>90	5000K	>80	50,000	14.25	5.5	14.25

