

Industra

by TCP

LED Vapor Tight



The TCP Vapor Tight Luminaire is perfect for your wet location low bay needs. Providing ample light at a low energy cost, the vapor tight is ready for the worst weather. With a plastic housing and included mounting hardware, the TCP Vapor Tight is durable and quick to install.

Reasons to choose the LED Vapor Tight from TCP

- Durable plastic housing
- Frosted PC lens for glare control
- Wet location rated
- Long life: 50,000 hours
- Operating temperature: -4° to 122°F
- Wide beam spread

Ideal Applications

- Parking Garages
- Garden Centers
- Hallways
- Car Washes
- Corridors
- Cold Storage
- Stairwells

TCP®



5 YEAR WARRANTY*

Applications

The TCP Vapor Tight can be effectively used in low mounted indoor and outdoor locations. Recommended for commercial or industrial settings such as parking garages, car washes, cold storage, garden centers and more.

Features

- Durable lens and housing
- -20C (-4°F) to 50C (122°F) operating range

Electrical

- cULus wet location rated
- Easy-to-access wiring compartment
- System rated for long 50,000 hour life
- Efficiently delivers >130 LPW

Optics

- PC plastic lens to prevent discoloration
- Delivers bright, white light and excellent uniformity

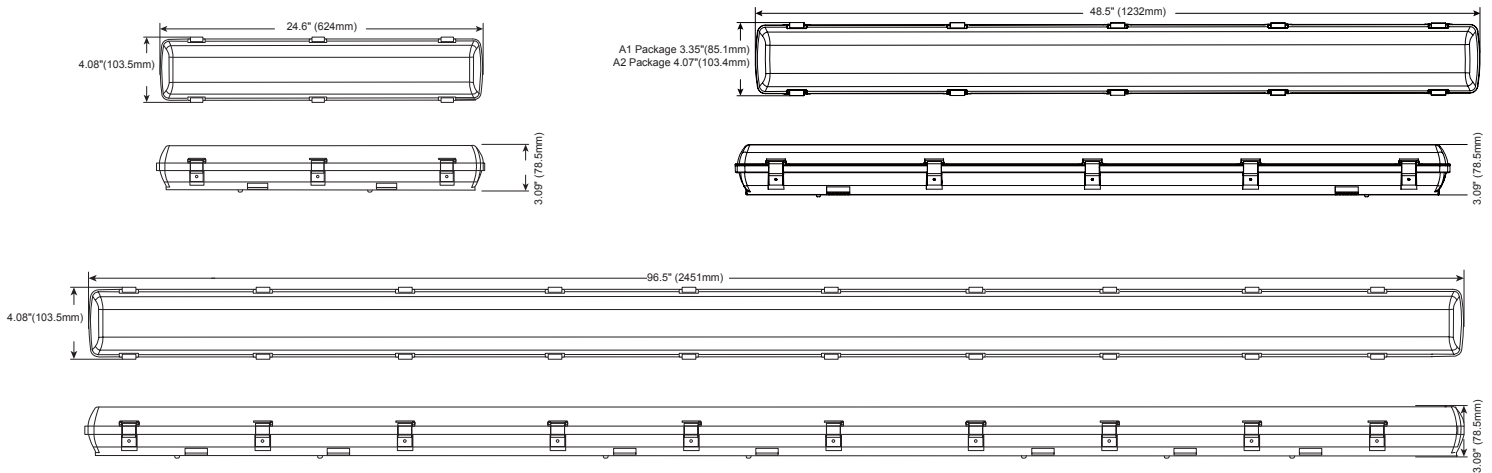


Warranty

Five year limited warranty against defects in manufacturing.

Listings

UL and cUL listed
RoHS Compliant
DLC 4.4 Premium
IP65



ITEM #	DESCRIPTION	LUMENS	WATTAGE	LPW	VOLTAGE	POWER FACTOR	CCT	CRI	LIFE (hrs.)	L (in.)	H (in.)	W (in.)
LED 2 Foot Vapor Tight • 50,000 Hour, Frosted Lens												
VTF2UZDA140K	LED 2 Foot Vapor Light - 40K	3100	24	130	120-277V AC	≥0.9	4000K	80	50000	24.88	3.09	4.08
VTF2UZDA150K	LED 2 Foot Vapor Light - 50K	3100	24	130	120-277V AC	≥0.9	5000K	80	50000	24.88	3.09	4.08
LED 4 Foot Vapor Tight • 50,000 Hour, Frosted Lens												
VTF4UZDA140K	LED 4 Foot Vapor Light - 40K	2600	20	130	120-277V AC	≥0.9	4000K	80	50000	48.3	3.09	3.35
VTF4UZDA150K	LED 4 Foot Vapor Light - 50K	2600	20	130	120-277V AC	≥0.9	5000K	80	50000	48.3	3.09	3.35
VTF4UZDA240K	LED 4 Foot Vapor Light - 40K	5400	40	130	120-277V AC	≥0.9	4000K	80	50000	48.3	3.09	4.08
VTF4UZDA250K	LED 4 Foot Vapor Light - 50K	5400	40	130	120-277V AC	≥0.9	5000K	80	50000	48.3	3.09	4.08
LED 8 Foot Vapor Tight • 50,000 Hour, Frosted Lens												
VTF8UZDA140K	LED 8 Foot Vapor Light - 40K	8775	65	135	120-277V AC	≥0.9	4000K	80	50000	96.5	3.09	4.08
VTF8UZDA150K	LED 8 Foot Vapor Light - 50K	8775	65	135	120-277V AC	≥0.9	5000K	80	50000	96.5	3.09	4.08
Options – SW1 Sharkward BR1810-B-D (20 ft max height)												