



Light Efficient Design

SCREW-IN
RETROFITS



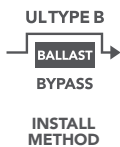
HIGH BAY



← advanced active cooling

↑
replaces up to
1000W HID

- > Available in 95W, 140W and 270W models replacing up to 1000W HID.
- > Dynamic temp control with advanced active cooling supports a longer, brighter life.
- > Pretested & potted drivers are burnt in 3x prior to shipping and protected against vibration & moisture.
- > Expertly engineered to work efficiently in enclosed fixtures & damp environments, while also protected against insects & dust.
- > Dual stage MOV protection with integrated 6kA surge.
- > USA designed & specified LED driver.
- > LED-8232MXXD-HV is dimmable. Lamp can be dimmed down to 10% by adjusting a dial located on the lamp.



MOGUL BASE

CRI

50,000hrs
RATED LIFE

OPERATING
TEMP

ENCLOSED
FIXTURES

6kA
SURGE
PROTECTION

PART #	UPC	REPLACES	WATTAGE	LUMENS	COLOR*	VOLTAGE**	BASE
LED-8236M50	844006023256	250W HID	95W	13000	5000K	120-277V	EX39
LED-8232M50	844006023232	400W HID	140W	19500	5000K	120-277V	EX39
LED-8242M50	844006023317	1000W HID	270W	35425	5000K	120-277V	EX39
LED-8232M50D-HV	844006068561	400W HID	140W	19330	5000K	277-480V	EX39
LED-8242M50-HV***	844006055448	1000W HID	270W	35425	5000K	277-480V	EX39

* additional color temperatures shown on page 2. ** 347 volt options for Canada shown on page 2. *** LED-8242-HV Open Rated Only



LIGHT EFFICIENT DESIGN HEADQUARTERS 188 S. Northwest Highway • Cary, IL 60013
INNOVATION & MANUFACTURING CENTER 30 Log Bridge Road, Building 200 • Middleton, MA 01949
847.380.3540 • led-llc.com

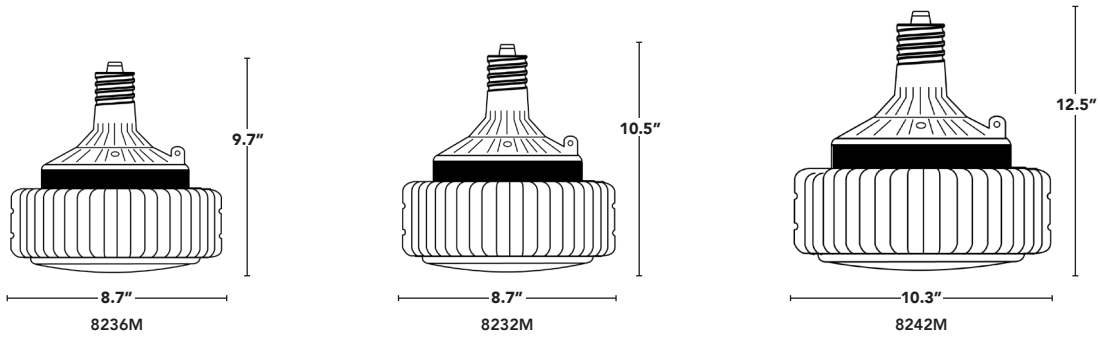
07.13.22 Information is subject to change without notice.



Light Efficient Design



HIGH BAY



PART #	UPC	REPLACES	WATTAGE	LUMENS	COLOR*	VOLTAGE**	BASE
LED-8236M40	844006023249	250W HID	95W	12900	4000K	120-277V	EX39
LED-8236M50	844006023256	250W HID	95W	13000	5000K	120-277V	EX39
LED-8232M40	84006023225	400W HID	140W	19200	4000K	120-277V	EX39
LED-8232M50	844006023232	400W HID	140W	19500	5000K	120-277V	EX39
LED-8242M40	844006023300	1000W HID	270W	34415	4000K	120-277V	EX39
LED-8242M50	844006023317	1000W HID	270W	35425	5000K	120-277V	EX39
LED-8232M40D-HV	844006068554	400W HID	140W	18730	4000K	277-480V	EX39
LED-8232M50D-HV	844006068561	400W HID	140W	19330	5000K	277-480V	EX39
LED-8242M40-HV	844006055431	1000W HID	270W	34415	4000K	277-480V	EX39
LED-8242M50-HV	844006055448	1000W HID	270W	35425	5000K	277-480V	EX39

🇨🇦 347 VOLT OPTIONS FOR CANADA 🇨🇦

PART #	UPC	REPLACES	WATTAGE	LUMENS	COLOR*	VOLTAGE**	BASE
LED-8236M40C	844006023287	250W HID	95W	12900	4000K	220-347V	EX39
LED-8236M50C	844006023294	250W HID	95W	13000	5000K	220-347V	EX39
LED-8232M40C	84006023263	400W HID	140W	19200	4000K	220-347V	EX39
LED-8232M50C	844006023270	400W HID	140W	19500	5000K	220-347V	EX39
LED-8242M40C	844006023324	1000W HID	270W	34415	4000K	220-347V	EX39
LED-8242M50C	844006023621	1000W HID	270W	35425	5000K	220-347V	EX39