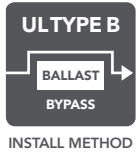


HIGH BAY RETROFITS ULTRA BRIGHT PERFORMANCE



designed to perform

available
uplight



LED-8130M

- Available in 90W, 135W and 150W models replacing up to 400W HID.
- Uplight feature available on 8130M model.
- Dynamic temp control supports a longer, brighter life.
- Pretested & potted drivers are burnt in 3x prior to shipping and protected against vibration & moisture.
- Expertly engineered to work efficiently in open fixtures & damp environments, while also protected against insects & dust.
- Dual stage MOV protection with integrated 6kA surge.
- USA designed & specified LED driver.

8130 model
also available with occupancy
sensor (-OCC)



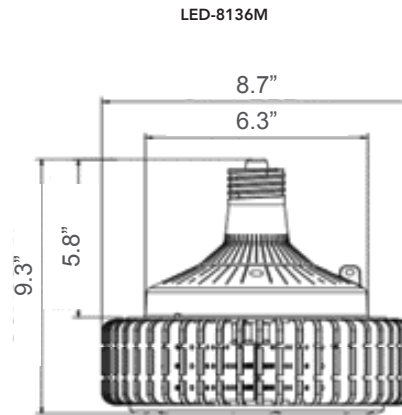
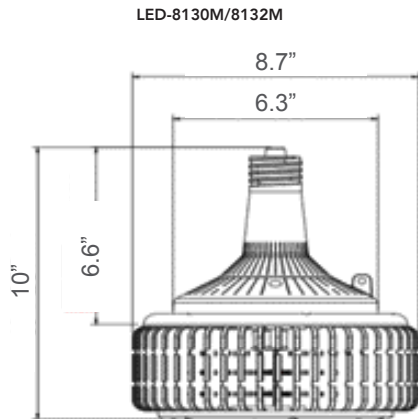
PART #	UPC	REPLACES	WATTAGE	LUMENS	CCT (K)*	BASE	DLC PRODUCT CODE
LED-8136M50	844006084097	250W HID	90W	11825	5000K	EX39	PJB19CID
LED-8132M50	844006084059	400W HID	135W	17095	5000K	EX39	PX1B2V52
LED-8130M50	844006083991	400W HID	150W	19375	5000K	EX39	PEIE5UJV
LED-8130M50-OCC	844006023409	400W HID	150W	19375	5000K	EX39	P5Z4KFOQ

* See page 2 for additional color temperatures.

** See page 2 for 347 volt options for Canada.



HIGH BAY RETROFITS ULTRA BRIGHT PERFORMANCE



ORDERING GUIDE

PART #	UPC	REPLACES	WATTAGE	LUMENS	CCT (K)	BASE	DLC PRODUCT CODE
LED-8136M40	844006084073	250W HID	90W	11825	4000K	EX39	PH6JIJBO
LED-8136M50	844006084097	250W HID	90W	11825	5000K	EX39	PJB19CID
LED-8132M40	844006084042	400W HID	135W	17055	4000K	EX39	PXWFBTUB
LED-8132M50	844006084059	400W HID	135W	17095	5000K	EX39	PX1B2VS2
LED-8130M40	844006083977	400W HID	150W	19285	4000K	EX39	PKVX1A1O
LED-8130M50	844006083991	400W HID	150W	19375	5000K	EX39	PEIE5UV
LED-8130M40-OCC	844006023379	400W HID	150W	19285	4000K	EX39	PYPQ2DPT
LED-8130M50-OCC	844006023409	400W HID	150W	19375	5000K	EX39	P5Z4KFOQ
LED-8136M40-OCC	844006023355	250W HID	90W	11825	4000K	EX39	PN36L3SL
LED-8136M50-OCC	844006023348	250W HID	90W	11825	5000K	EX39	PKZL8W6K

347 VOLT OPTIONS FOR CANADA

PART #	UPC	REPLACES	WATTAGE	LUMENS	CCT (K)	BASE	DLC PRODUCT CODE
LED-8136M40C	844006084080	250W HID	90W	12800	4000K	EX39	PPA5W8DJ
LED-8136M50C	844006084103	250W HID	90W	13200	5000K	EX39	PYFU9VLA
LED-8132M40C	844006083984	400W HID	135W	18800	4000K	EX39	PBV42TYE
LED-8132M50C	844006084004	400W HID	135W	19000	5000K	EX39	PNHXYBUE
LED-8130M40C	844006084042	400W HID	150W	21800	4000K	EX39	P8C1FD2H
LED-8130M50C	844006084066	400W HID	150W	22000	5000K	EX39	P9MMHV4A
LED-8130M40C-OCC	844006023416	400W HID	150W	21800	4000K	EX39	PBNUB6PJ
LED-8130M50C-OCC	844006023409	400W HID	150W	22000	5000K	EX39	P7UP4BYG
LED-8136M40C-OCC	844006023393	250W HID	90W	12800	4000K	EX39	P59YCLTU
LED-8136M50C-OCC	844006023386	250W HID	90W	13200	5000K	EX39	P5FOE0C4

OCC SENSOR INFORMATION

- Motion sensing microwave sensor
- Remote Control: over 25ft. range
- At 100% sensitivity, sensor range is 26ft. vertically and 23ft. horizontally
- Default Setting:
 - Horizontal Detecting setting: 50% (14ft.)
 - Power output when activated: 100%
 - Full power output hold time period after activation: 5 min
 - Dimmed output power: 20%

