



FEATURES

- Direct line voltage 120-277V- bypass ballast
- Plug & Play Safety Cable included
- UL listed for use in damp locations
- Equivalent to a 600W Metal Halide
- DLC part number ®: PLTB534
- EX39 Extended Mogul Base
- 120 degree beam angle
- 4KV surge protection
- 5 Year Warranty

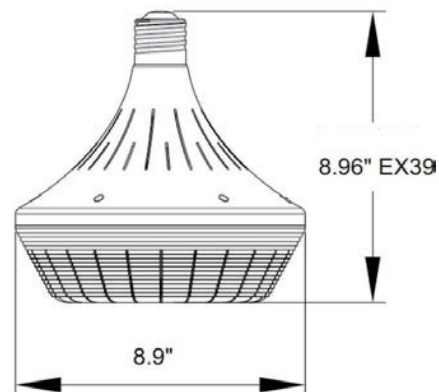


ENERGY EFFICIENCY & LONG LIFE

75% MORE ENERGY EFFICIENT THAN STANDARD HID LAMPS
TYPICAL PAYBACK OF 1 - 3 YEARS

SKU#	Kelvin	Lumens	CRI	Wattage	Voltage	DLC?	Base	Life Hours	Warranty
PLT-11164X	5000	21,000	80	150	120-277	YES	EX39	50,000	5 Years

ADDITIONAL PHOTOS



FEATURES

- Unique design helps minimize dust intrusion
- Superior lighting performance

SPECIFICATIONS

DIMMABLE	NO
DLC LISTED	YES
SAFETY RATING	UL
CRI	80
COLOR	DAYLIGHT WHITE
COLOR TEMPERATURE	5000K
LIFE HOURS	50,000
WATTAGE.....	150 WATTS
LUMENS	21,000
VOLTAGE	120-277
FINISH.....	SILVER
HOUSING	ALUMINUM
BALLAST TYPE	BALLAST BYPASS
BASE TYPE	EXTENDED MOGUL EX39
DIAMETER	8.9 IN.
HEIGHT	8.96 IN.
WEIGHT	3.66 LBS.
LIGHT DISTRIBUTION	TYPE V

TYPICAL APPLICATIONS

- Warehouses and Factories
- Convention Centers
- Industrial Buildings

WARRANTY

Warranty

5 Years

When retrofitting HID fixtures with LED lights, ballast must be bypassed if present. If used in an enclosed fixture, the enclosed fixture must be 11.81" wide x 11.81" deep x 15.75" high (300 mm x 300 mm x 400 mm) or larger. VERTICAL INSTALLATION (± 20°) ONLY

PHOTOMETRICS

