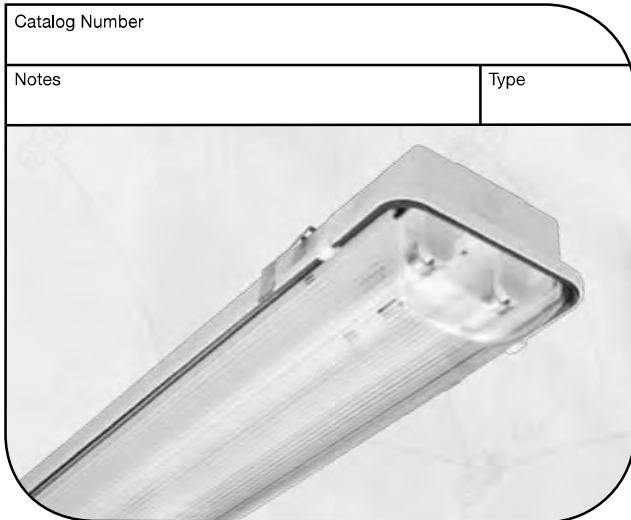




## Wet Location Fluorescent T8



|                |      |
|----------------|------|
| Catalog Number |      |
| Notes          | Type |

### Application

The Wet Location fixture is IP65 and IP67 rated, dust and moisture-resistant, making it ideal for harsh environments where humidity or moisture is present. Primary applications include:

- Food processing facilities
- Kitchens
- Public Areas
- Subways
- Schools
- Parking garages
- Gas Stations
- Government facilities
- Industrial facilities

### Description

The full body assembly accommodates either T8 lamps. The gasketed enclosure is constructed of a fiberglass upper body and acrylic diffuser, with a continuous poured gasket. The diffuser and upper components are locked by retaining latches, which ensures a tight seal. Sockets include secure positioning rotating collars.

### Reflector Optics

The superior beam spread optics are ideal for an open area general lighting. The Wet Location fixture comes standard with a white channel cover (WA), and is available using a 95% reflectance specular aluminum (SA) Miro®4 reflector, which has a 25 year warranty.

### Electrical

All ballasts are class P rated and UL/CUL listed. Our ballasts are also thermally protected, sound rated and tightly secured by mounting bolts.

| Wet Location Fluorescent T8 Series  |   |
|---|---|
| <b>Maintenance</b><br>No tools required for lamp and ballast access.                    | <b>Warranty</b><br>One year warranty against defect in manufacturing. |
| <b>Installation</b><br>Suspension by chain, cable or hook with appropriate accessories. | <b>Listing</b><br>UL/CUL Listed - Suitable for damp locations.        |

### Catalog Ordering Matrix

| Family                | Reflector Distribution   | Lamp Quantity        | Lamp Type     | Voltage         | Ballast Factor                    | Specific Ballast    | Options  |
|-----------------------|--------------------------|----------------------|---------------|-----------------|-----------------------------------|---------------------|--|
| WL4 - 4' Wet Location | WA - Wide Distribution   | 1 (4' Fixture Only)  | 28 - (T8 28W) | UNI - (120-277) | H - (T8 High)                     | Leave Blank - (TCP) | (See Below)  |
| WL8 - 8' Wet Location | SA - Narrow Distribution | 2 (4' or 8' Fixture) | 32 - (T8 32W) | 347             | N - (T8 Normal)                   | GE - (GE)           |  |
|                       |                          | 3 (4' Fixture Only)  |               | 480             | L - (T8 Low)                      | ADV - (Advance)     |  |
|                       |                          | 4 (8' Fixture Only)  |               |                 | HPRS - (T8 H Program Rapid Start) | ULT - (Universal)   |  |
|                       |                          | 6 (8' Fixture Only)  |               |                 |                                   | SYL - (Sylvania)    | Must provide ballast part number on order for specific ballast |

### OPTIONS

|  |  |  |  |
|--|--|--|--|
| <b>Power Cords</b><br>2P - 120V, 15A, 8' Power cord w/ straight blade plug<br>3P - 120V, 15A, 8' Power cord w/ twist lock plug<br>4T - 120V, 20A, 10' Power cord w/ twist lock plug<br>11P - 208V, 15A, 8' Power cord w/ straight blade plug<br>9T - 208V, 20A, 8' Power cord w/ twist lock plug<br>8P - 277V, 20A, 8' Power cord w/ straight blade plug<br>10P - 277V, 20A, 15' Power cord w/ straight blade plug<br>10T - 277V, 15A, 10' Power cord w/ twist lock plug<br>10T2 - 277V, 20A, 10' Power cord w/ twist lock plug<br>6C - 120V-300V rated 6' Power cord only, No plug<br>10C - 120V-300V rated 10' Power cord only, No plug<br>10C6 - 120V-600V rated 10' Power cord only, No plug<br>20C - 120V-300V rated 20' Power cord only, No plug<br>6W - 600V rated 6' flexible metal conduit fixture whip<br>6C4 - 120V-300V 6' Power cord only, 4 wire, No plug<br>20C4 - 120V-300V 20' Power cord only, 4 wire, No plug<br>8T - 480V, 20A, 8' Power cord w/ L8-20 twist lock plug | <b>Occupancy Sensors</b><br>OSWL3 - Occupancy sensor w/ bracket for Wet Location, Low Bay<br>OSWL4 - Occupancy sensor w/ bracket for Wet Location, High Bay<br><br>Use a program rapid start ballast with occupancy sensor. EcoVations is not responsible for lamps failing prematurely due to an occupancy sensor being used with an instant start ballast. | <b>Emergency Ballasts</b><br>20B1 - TCP 450 LMS 90 min (T8)<br>20B6 - TCP 700 LMS 90 min (T8)<br>20B5 - TCP 1400 LMS 90 min (T8)<br>B1 - 400 LMS 90 min (T8)<br>B7 - 550 LMS 120 min (T8)<br>B9 - 550 LMS 90 min (T8)<br>B6 - 650 LMS 90 min (T8)<br>B5 - 1350 LMS 90 min (T8) | <b>Lamps Installed in Job Pack</b><br>730 - T8 Lamps<br>735 - T8 Lamps<br>741 - T8 Lamps<br>830 - T8 Lamps<br>835 - T8 Lamps<br>841 - T8 Lamps<br>850 - T8 Lamps<br>865 - T8 Lamps<br>830HL - T8 Lamps<br>835HL - T8 Lamps<br>841HL - T8 Lamps<br>850HL - T8 Lamps<br>865HL - T8 Lamps |
|--|--|--|--|

**Emergency Ballast Notes:**  
 Orders with an emergency ballast must include what voltage is to be used (i.e. 120V). See Emergency Ballast Spec Sheets for details.

**Mounting**  
 Supplied with a stainless steel mounting bracket.

**Special Mounting**  
 EZHANGER - 15' adjustable aircraft cable hanging kit  
 12PendantKit - Mounting kit for 1/2" pendants  
 34PendantKit - Mounting kit for 3/4" pendants  
 LHKIT - Single Point Hook Mounting Kit complete

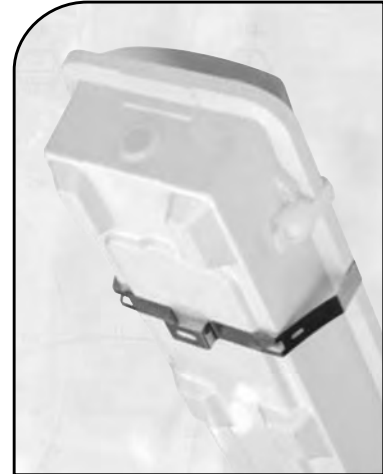
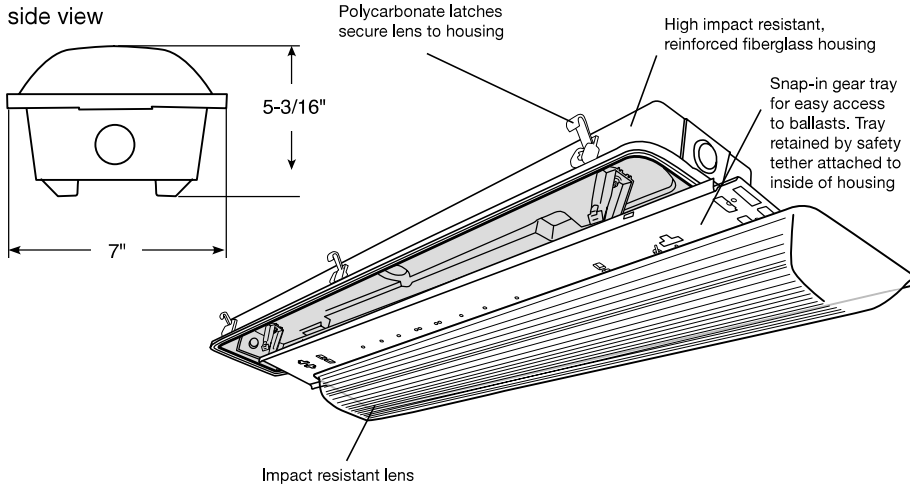
† If a desired lamp and/or ballast is needed in an EcoVations linear fluorescent fixture, please provide a spec sheet when consulting with your local sales rep. The sales rep will provide a price to use the desired lamp and/or ballast.

EcoVations will install supplied modular wire cords



Wet Location Fluorescent T8

Dimensions & Construction



Photometric Report

48" Wet Location Fixture, 3 - 32W

EcoVations Gasketed Luminaire with 3 - 32w lamps, lumen rating 2950 LMS.

Photometric Report

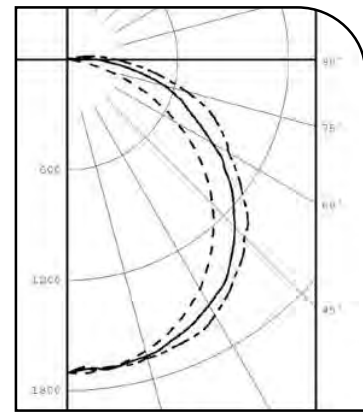
|                            |      |
|----------------------------|------|
| Efficiency (total)         | 0.58 |
| Spacing Criterion (0-Deg)  | 1.3  |
| Spacing Criterion (90-Deg) | 1.4  |

Average Luminance (Candelas / Square Meter)

|       |      |      |      |
|-------|------|------|------|
| Angle | 0    | 45.0 | 90   |
| 45    | 7417 | 8631 | 9134 |
| 55    | 6856 | 8591 | 8465 |
| 65    | 5746 | 7475 | 7918 |
| 75    | 3853 | 6704 | 7003 |
| 85    | 1524 | 4602 | 5371 |

Zonal Lumen Summary

| Zone   | Lumens | % Lamp | % Fixture |
|--------|--------|--------|-----------|
| 0-30   | 1367   | 13.4   | 23.2      |
| 0-40   | 2280   | 22.4   | 38.7      |
| 0-60   | 4184   | 41.1   | 71.0      |
| 0-90   | 5741   | 56.4   | 97.4      |
| 90-180 | 153    | 1.5    | 2.6       |
| 0-180  | 5894   | 57.9   | 100       |



Quadrilaterally Symmetric 0 Degree (dash line) 90 Degree

Coefficient of Utilization Table Effective Floor Cavity Reflectance = 20%

| Pcc...<br>Pw...<br>RCR | 80 |    |    |    | 70 |    |    |    | 50 |    |    |    | 30 |    |    |    | 10 |    |    |    |    |
|------------------------|----|----|----|----|----|----|----|----|----|----|----|----|----|----|----|----|----|----|----|----|----|
|                        | 70 | 50 | 30 | 10 | 70 | 50 | 30 | 10 | 70 | 50 | 30 | 10 | 70 | 50 | 30 | 10 | 70 | 50 | 30 | 10 | 0  |
| 0                      | 69 | 69 | 69 | 69 | 67 | 67 | 67 | 67 | 63 | 63 | 63 | 63 | 60 | 60 | 60 | 60 | 58 | 58 | 58 | 58 | 56 |
| 1                      | 62 | 59 | 56 | 53 | 60 | 57 | 54 | 52 | 54 | 52 | 50 | 50 | 52 | 50 | 48 | 48 | 49 | 48 | 47 | 47 | 45 |
| 2                      | 56 | 50 | 46 | 42 | 54 | 49 | 45 | 42 | 47 | 43 | 41 | 41 | 45 | 42 | 39 | 39 | 43 | 40 | 38 | 38 | 37 |
| 3                      | 50 | 44 | 39 | 35 | 49 | 43 | 38 | 34 | 41 | 37 | 34 | 34 | 39 | 36 | 33 | 33 | 37 | 34 | 32 | 32 | 31 |
| 4                      | 46 | 39 | 33 | 29 | 45 | 38 | 33 | 29 | 36 | 32 | 28 | 28 | 35 | 31 | 28 | 28 | 33 | 30 | 27 | 27 | 26 |
| 5                      | 42 | 34 | 29 | 25 | 41 | 34 | 29 | 25 | 32 | 28 | 24 | 24 | 31 | 27 | 24 | 24 | 30 | 26 | 23 | 23 | 22 |
| 6                      | 39 | 31 | 25 | 22 | 38 | 30 | 25 | 21 | 29 | 24 | 21 | 21 | 28 | 24 | 21 | 21 | 27 | 23 | 20 | 20 | 19 |
| 7                      | 36 | 28 | 23 | 19 | 35 | 27 | 22 | 19 | 26 | 22 | 19 | 19 | 25 | 21 | 18 | 18 | 24 | 21 | 18 | 18 | 17 |
| 8                      | 34 | 25 | 20 | 17 | 32 | 25 | 20 | 17 | 24 | 20 | 17 | 17 | 23 | 19 | 16 | 16 | 22 | 19 | 16 | 16 | 15 |
| 9                      | 31 | 23 | 18 | 15 | 30 | 23 | 18 | 15 | 22 | 18 | 15 | 15 | 21 | 17 | 15 | 15 | 21 | 17 | 15 | 15 | 13 |
| 10                     | 29 | 21 | 17 | 14 | 28 | 21 | 17 | 14 | 20 | 16 | 13 | 13 | 20 | 16 | 13 | 13 | 19 | 16 | 13 | 13 | 12 |

Photometric Data by Independent Testing Lab ITL Boulder.