

Brackets and Tenons

Rev. Date: V7 10/18/2019

Product Specifications

FINISH

- Exclusive Colorfast DeltaGuard® finish features an E-Coat epoxy primer with an ultra-durable powder topcoat, providing excellent resistance to corrosion, ultraviolet degradation and abrasion. Black, bronze, silver and white are available

LIMITED WARRANTY†

- 7 years on tenon/7 years on Colorfast DeltaGuard® finish

† See <http://creelighting.com/warranty> for warranty terms




PB Series


Square Internal Mount Vertical Steel Tenons (for use with Adjustable Arm & Horizontal/Vertical Tenon Mounts)

The square base of the PB Series steel brackets is designed to be inserted into square, non-tapered steel or aluminum poles ranging in size from 3" (76mm) to 6" (152mm) square with a maximum wall thickness of 0.188" (5mm). Square PB tenons are supplied with end caps to enclose the wiring chamber. Tenon base secures to pole with four 5/16" (8mm) hex head stainless steel black oxide bolts. Vertical tenons measure 2-3/8" (60mm) O.D. x 3.75" (95mm) tall and are made of steel tubing. Luminaires mounted to these tenons can be adjusted both vertically and horizontally.


PB	-			
Product	-	Mounting Configurations	Pole Size (O.D.)	Color Options
PB	-	1A Single 2A 180° Twin 3A 180° Triple 4A(90) 90° Quad - Available for 4"-6" pole only 4A(180) 180° Quad - Available for 4"-6" pole only	3 3" (76mm) 4 4" (102mm) 5 5" (127mm) 6 6" (152mm)	BK Black BLANK Bronze SV Silver WH White




Single




180° Double



180° Triple



90° Quad




180° Quad


Round External Mount Vertical Tenons (for use with Adjustable Arm & Horizontal/Vertical Tenon Mounts)

The round base of the PB Series steel brackets is designed to mount over a steel or aluminum 2-3/8"-5" (60-127mm) O.D. round pole or tenon. All are supplied with end caps to enclose the wiring chamber. Tenon base secures to pole with eight stainless steel allen head screws. Vertical tenons measure 2-3/8" (60mm) O.D. x 3.75" (95mm) tall and are made of steel tubing. Luminaires mounted to these tenons can be adjusted both vertically and horizontally. Not for use with PT tenons or Cree Edge® area round post top mounts.


PB	-			
Product	-	Mounting Configurations	Pole Size (O.D.)	Color Options
PB	-	1R Single 2R 180° Twin 3R 180° Triple 4R 90° Quad/180° Quad	2.375 Fits 1.97-2.41" (50-61mm) pole tops - Available for 2R, 3R and 4R mounting configurations only 3.00 Fits 2.57-3.00" (65-76mm) pole tops 3.50 Fits 3.01-3.50" (76-89mm) pole tops 4.00 Fits 3.54-4.03" (90-102mm) pole tops 4.50 Fits 4.13-4.57" (105-116mm) pole tops 5.00 Fits 4.75-5.19" (121-132mm) pole tops For 90-degree Quad Only 2.375(90) Fits 1.97-2.41" (50-61mm) pole tops 3.0(90) Fits 2.57-3.00" (65-76mm) pole tops 3.5(90) Fits 3.01-3.50" (76-89mm) pole tops 4.0(90) Fits 3.54-4.03" (90-102mm) pole tops 4.5(90) Fits 4.13-4.57" (105-116mm) pole tops 5.0(90) Fits 4.75-5.19" (121-132mm) pole tops	BK Black BLANK Bronze SV Silver WH White




Single



180° Twin



180° Triple







180° Quad

NOTE: 90° Quad is not shown

PT Series

Round External Mount Horizontal Tenons (for use with Adjustable Arm Mount and RUL Luminaires). Not for use with the Cree Edge® High Output or OSQ™ High Output Area/Flood Luminaires

The round base of the PT Series aluminum brackets is designed to mount over a steel or aluminum 2-3/8" (60mm) to 3" (76mm) O.D. round pole or tenon. Tenon base secures to pole with eight stainless steel allen head screws. Luminaires mounted to these tenons can only be adjusted vertically. The PT Series brackets can be mounted on a square pole, but require the use of the Single Vertical Tenon PB-1A. Not for use with PB Series round tenons.

PT	-								
Product	-	Mounting Configurations	Color Options						
PT	-	1 Single 2(90) 90° Twin 2(180) 180° Twin 3(90) 90° Triple 3(120) 120° Triple 4(90) 90° Quad	BK Black BLANK Bronze SV Silver WH White						
				Single	90° Twin	180° Twin	90° Triple	120° Triple	90° Quad

Round External Mount Horizontal Tenons (for use with Horizontal Tenon Mount — LEDway®, RSW™, Traveyo™, and XSP Series Luminaires). Not for use with the Cree Edge® High Output or OSQ™ High Output Area/Flood Luminaires





The round base of the PT Series aluminum brackets is designed to mount over a steel or aluminum 2-3/8" (60mm) to 3" (76mm) O.D. round pole or tenon. Tenon base secures to pole with eight stainless steel allen head screws. The PT Series brackets can be mounted on a square pole, but require the use of the Single Vertical Tenon PB-1A. Not for use with PB Series round tenons.

PT	-							
Product	-	Mounting Configurations	Color Options					
PT	-	1H Single 2H(90) 90° Twin 2H(180) 180° Twin 3H(90) 90° Triple 4H(90) 90° Quad	BK Black BLANK Bronze SV Silver WH White					
				Single	90° Twin	180° Twin	90° Triple	90° Quad

PD Series





Square Internal Mount Horizontal Tenons (for use with Adjustable Arm Mount and RUL Luminaires). Not for use with the Cree Edge® High Output or OSQ™ High Output Area/Flood Luminaires

The square base of the PD Series cast aluminum brackets is designed to be inserted into square, non-tapered steel or aluminum 4" (102mm) poles with a maximum wall thickness of 0.188" (5mm). Square PD tenons are supplied with end caps to enclose the wiring chamber. Tenon base secures to pole with four 5/16" (8mm) hex head stainless steel black oxide bolts. Luminaires mounted to these tenons can only be adjusted vertically.

PD	-						
Product	-	Mounting Configurations	Color Options				
PD	-	2A4 (90) 90° Twin 2A4 (180) 180° Twin 3A4 (90) 90° Triple 4A4 (90) 90° Quad	BK Black BLANK Bronze SV Silver WH White				
				90° Twin	180° Twin	90° Triple	90° Quad

Square Internal Mount Horizontal Tenons (for use with Horizontal Tenon Mount — LEDway®, RSW™, Traveyo™, and XSP Series Luminaires). Not for use with the Cree Edge® High Output or OSQ™ High Output Area/Flood Luminaires

The square base of the PD Series cast aluminum brackets is designed to be inserted into square, non-tapered steel or aluminum 4" (102mm) poles with a maximum wall thickness of 0.188" (5mm). Square PD tenons are supplied with end caps to enclose the wiring chamber. Tenon base secures to pole with four 5/16" (8mm) hex head stainless steel black oxide bolts. Luminaires mounted to these tenons can only be adjusted vertically.

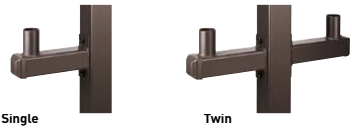
PD	-							
Product	-	Mounting Configurations	Color Options					
PD	-	1H4 Single 2H4(90) 90° Twin 2H4(180) 180° Twin 3H4(90) 90° Triple 4H4(90) 90° Quad	BK Black BLANK Bronze SV Silver WH White					
				Single	90° Twin	180° Twin	90° Triple	90° Quad

Pole sold separately

PW Series

Mid-Pole Mounting Bracket (for use with Adjustable Arm & Horizontal/Vertical Tenon Mounts)


The PW Series steel bracket is designed to be mounted to the side of a square pole. Typically, the two brackets are mounted on either side to provide accent lighting. PW series brackets are supplied with end caps to enclose the wiring chamber. The bracket is secured to the pole with supplied 1/2" (13mm) hex head bolts. The 11" (279mm) long x 3" (76mm) square arm provides a 2-3/8" (60mm) O.D. tenon to mount a luminaire. Luminaires mounted to these tenons can be adjusted both vertically and horizontally.

PW	-				
Product	-	Mounting Configurations	Pole Size (O.D.)	Color Options	
PW	-	1A3 Single 2A3 Twin	(3) 3" (76mm) (4) 4" (102mm) (5) 5" (127mm) (6) 6" (152mm)	BK Black BLANK Bronze SV Silver WH White	

RUL Series

Pole Mounting Kit (for use with RUL Luminaires)


The RUL Series pole mounting kit is designed to be mounted to a wood pole. The kit is supplied with a 24" (610mm), 1.66" (42mm) O.D. curved raw aluminum arm. The arm secures to the wood pole with an upper and lower mounting bracket. The arm's top bracket secures to the pole with a 5/8-11 x 9.75" hex head bolt, nut and 11 ga. square washer plate. The arm's bottom bracket secures to the pole with two 3/8" (10mm) x 3" (76mm) long hex-head lag bolts. All hardware is zinc-plated steel and included in the mounting kit. Luminaire may be leveled by additional adjustment of the 5/8" (16mm) nut.

RUL	-	ARM24	
Product	-	Mounting Configurations	
RUL	-	ARM24	

WM Series


Surface Bracket (for use with Adjustable Arm & Horizontal/Vertical Tenon Mounts)

The WM-2 steel bracket is designed for mounting to ground, rooftop, wall or to the side of a wood pole. The bracket provides a 2-3/8" (60mm) O.D. tenon to mount a luminaire. The 0.25" (6mm) thick steel backplate provides wiring access. When ordered with (1/2), the bottom of the tenon has a 1/2" -14NPT threaded access hole for surface wiring. The use of 3/8" (9mm) diameter bolts to mount bracket to wall is recommended. Mounting holes are spaced 3-1/4" (83mm) apart. LEDway®, RSW™, Traveyo™, and XSP Series luminaires must be used with extended mount only.

WM	-				
Product	-	Mounting	Wiring Access	Color Options	
WM	-	2 Horizontal 2L Extended Horizontal	BLANK Wiring Access through Threaded Hole in Back Plate (1/2) 1/2"-14NPT Threaded Hole in Tenon for Surface Wiring	BK Black BLANK Bronze SV Silver WH White	

L-Shaped Surface Bracket (for use with Adjustable Arm & Horizontal/Vertical Tenon Mounts)

The WM-4 steel bracket is designed for mounting to a wall or to the side of a wood pole. The bracket provides a 2-3/8" (60mm) O.D. elbow tenon to mount a luminaire. The 0.25" (6mm) thick steel backplate provides wiring access. When ordered with (1/2), the bottom of the tenon has a 1/2" -14NPT threaded access hole for surface wiring. For mounting the bracket to the wall, use only 3/8" (9mm) diameter bolts. Mounting holes are spaced 3-1/4" (83mm) apart.

WM	-				
Product	-	Mounting	Wiring Access	Color Options	
WM	-	4 L-shape 4L Extended L-shape	BLANK Wiring Access through Threaded Hole in Back Plate (1/2) 1/2"-14NPT Threaded Hole in Tenon for Surface Wiring	BK Black BLANK Bronze SV Silver WH White	

WM Series



Direct Arm Surface Bracket (for use with Cree Edge® Direct Arm and Direct Arm Long, OSQ™ and OSQ™ High Output Direct Arm Mounts)

The WM-DM steel bracket is designed for mounting luminaires with direct mount arms to a wall or to the side of a wood pole. The 0.25" (6mm) thick steel back plate provides wiring access. The use of 3/8" (9mm) diameter bolts to mount bracket to wall is recommended. Mounting holes are spaced 4.0" (102mm) apart.

WM	-	DM		 <p>DM</p>
Product	-	Mounting	Color Options	
WM	-	DM Direct Mount	BK Black BZ Bronze SV Silver WH White	

Beauty Plates (for use with Cree Edge® and XSPW™ Security Luminaires)


The WM-PLT is an aluminum plate designed for covering existing surfaces for LED security luminaire upgrades. The 0.08" (2mm) thick plate provides wiring access. The use of 3/8" (9mm) diameter bolts to mount bracket to wall is recommended. Mounting holes are spaced 4.0" (102mm) apart.

WM	-			 <p>PLT12</p>  <p>PLT14</p>
Product	-	Mounting	Color Options	
WM	-	PLT12 12" Plate PLT14 14" Plate	BK Black BZ Bronze PB Platinum Bronze SV Silver WH White	

Direct Mount Bracket Series

Direct Mount Bracket (for use with Cree Edge® High Output Area/Flood Luminaire HV Mount)

The EHO-UNV bracket is designed for mounting to a minimum 4" (102mm) round or square; aluminum or steel pole or can be surface-mounted directly to a vertical or horizontal surface. Bracket includes die cast aluminum fitter and steel mounting plate. Square mounting plate bolts are supplied for pole mounting. For surface mounting, use only Grade 5 or higher bolts.

EHO	-	UNV		
Product	-	Mounting	Color Options	
EHO	-	UNV	BK Black BZ Bronze SV Silver WH White	

XA-TMDA8

Direct Arm Pole Adaptor Bracket (for use with Horizontal Tenon Mount – LEDway®, RSW™, Traveyo™, and XSP Series Luminaires)


The die cast aluminum direct arm pole adaptor bracket mounts to square or round steel or aluminum poles ranging in size from 3" (76mm) to 6" (152mm). Mounting plate secures to pole with two 5/16" (8mm) hex head stainless steel black oxide bolts. Two 5/16" (8mm) hex head stainless steel black oxide bolts secure the adaptor bracket to the mounting plate. The horizontal tenon measures 2-3/8" (60mm) O.D. x 8.0" (203mm) long and is made of steel tubing.

XA	-	TMDA8		
Product	-	Mount	Color Options	
XA	-	TMDA8	BK Black BLANK Bronze SV Silver WH White	

PGM Series

Ground Mount Post (for use with Cree Edge®, OSQ™, and Noctura Series Area/Flood Luminaires with Adjustable Arm Mounts)

The PGM-1 steel post is designed for ground mounted floodlight luminaires with an adjustable mounting arm. Wiring or conduit feed through the base of the post.

PGM	-	1			 <p>PGM-1</p>
Product	-	Mounting	Color Options		
PGM	-	1	Single Adjustable Arm Mount	BK Black BLANK Bronze SV Silver WH White	

MNH Series

Conduit Slipfitter (for use with Noctura Series Luminaires with 1/2" Knuckle Mount)

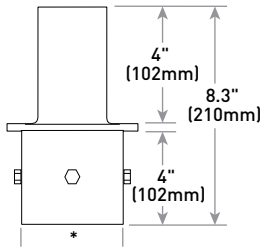
The cast aluminum hub provides a threaded entry for the 1/2" knuckle mount, and slips over a 2-3/8" (60 mm) O.D. pipe or tenon. A 3/8" allen head set screw is provided to secure the slipfitter.

MNH	-	2			 <p>MNH-2</p>
Product	-	Mounting	Color Options		
MNH	-	2		BLANK Bronze	

Brackets and Tenons

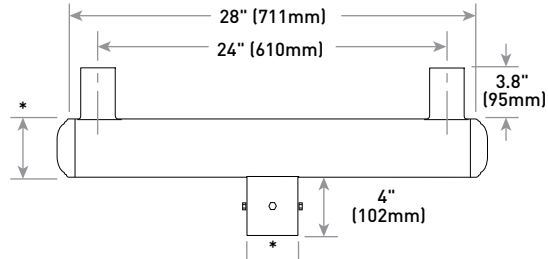
PB Series

PB-1A*



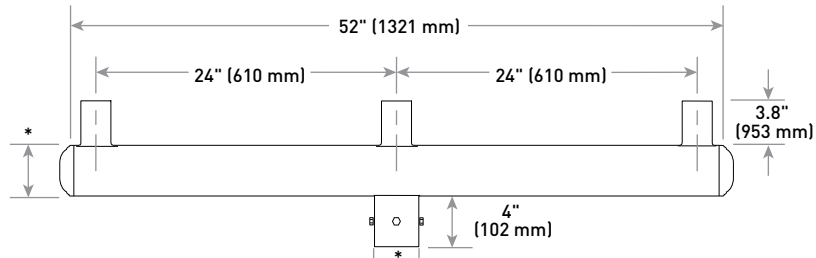
* 3" (76 mm), 4" (102 mm), 5" (127 mm) or 6" (152 mm) depending on pole size

PB-2A*



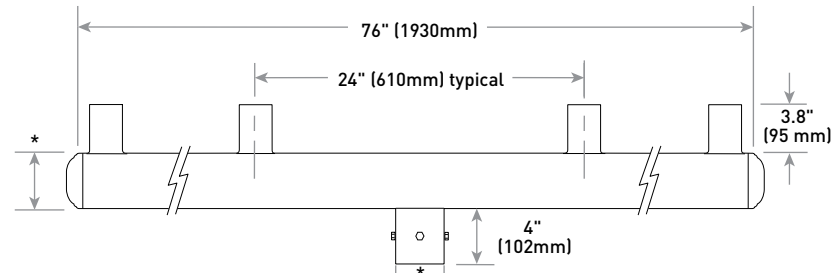
* 3" (76 mm), 4" (102 mm), 5" (127 mm) or 6" (152 mm) depending on pole size

PB-3A*



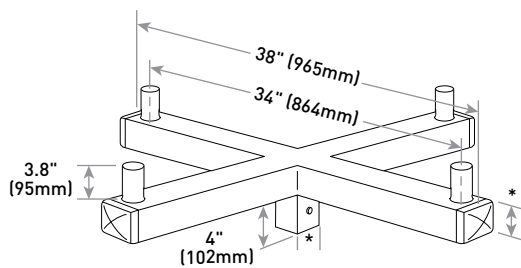
* 3" (76mm), 4" (102mm), 5" (127mm) or 6" (152mm) depending on pole size

PB-4A*(180)



* 4" (102mm), 5" (127mm) or 6" (152mm) depending on pole size

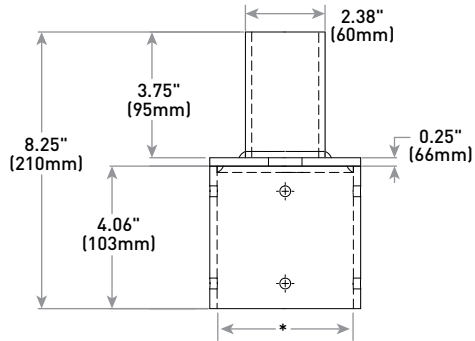
PB-4A*(90)



* 4" (102mm), 5" (127mm), or 6" (152mm) depending on pole size

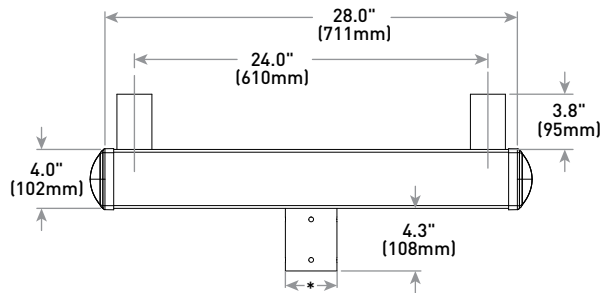
PB Series

PB-1R*



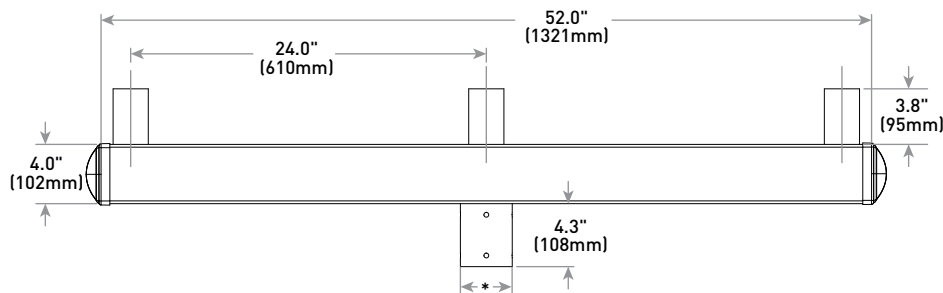
* 3" [76mm], 3.5" [89mm], 4" [102mm], 4.5" [114mm], or 5" [127mm] depending on pole size

PB-2R*



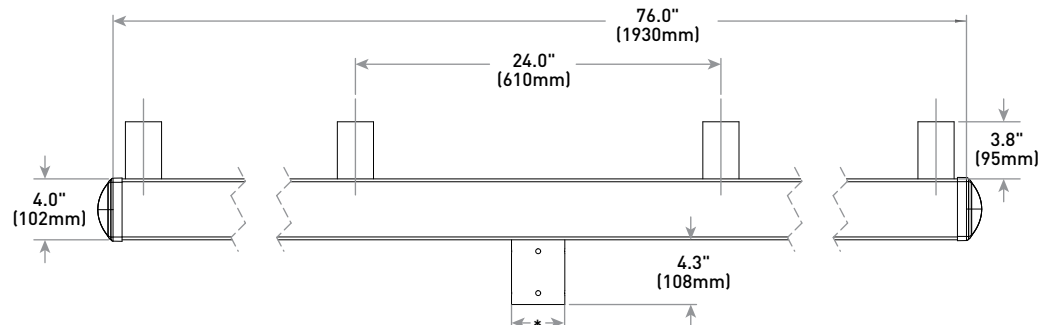
* 2.375" [60mm], 3" [76mm], 3.5" [89mm], 4" [102mm], 4.5" [114mm], or 5" [127mm] depending on pole size

PB-3R*



* 2.375" [60mm], 3" [76mm], 3.5" [89mm], 4" [102mm], 4.5" [114mm], or 5" [127mm] depending on pole size

PB-4R*

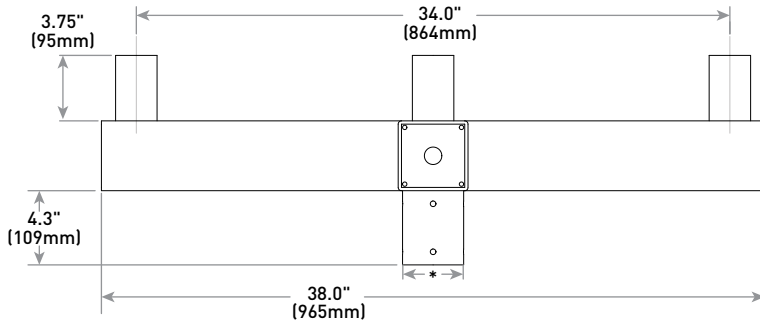


* 2.375" [60mm], 3" [76mm], 3.5" [89mm], 4" [102mm], 4.5" [114mm], or 5" [127mm] depending on pole size

Brackets and Tenons

PB Series

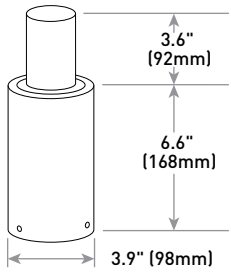
PB-4R*(90)



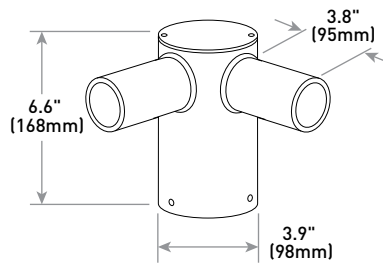
* 2.375" [60mm], 3" [76mm], 3.5" [89mm], 4" [102mm], 4.5" [114mm], or 5" [127mm] depending on pole size

PT Series

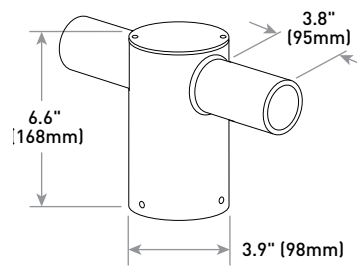
PT-1



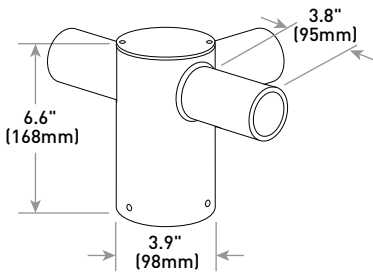
PT-2(90)



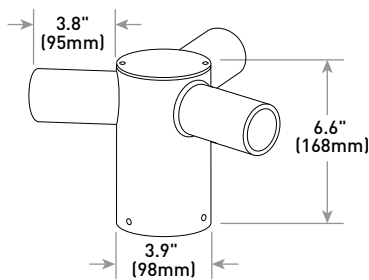
PT-2(180)



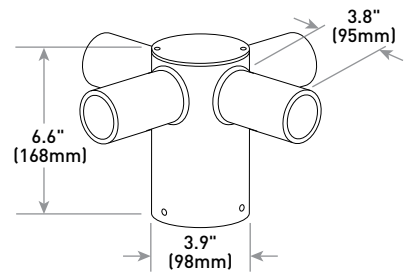
PT-3(90)



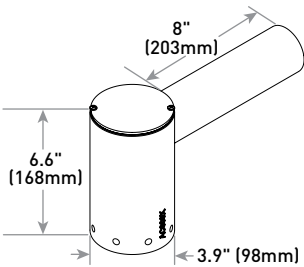
PT-3(120)



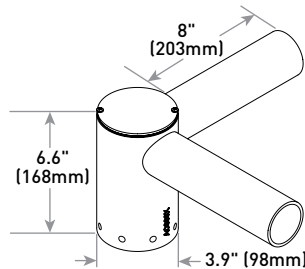
PT-4(90)



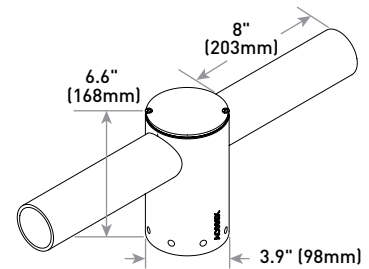
PT-1H



PT-2H(90)



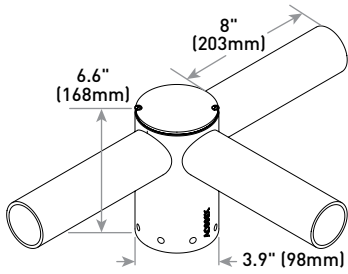
PT-2H(180)



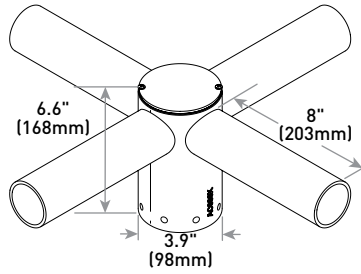
Brackets and Tenons

PT Series

PT-3H(90)

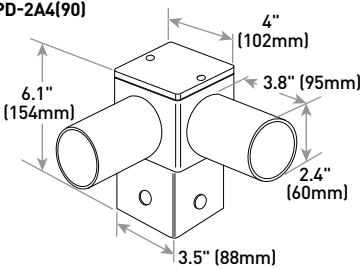


PT-4H(90)

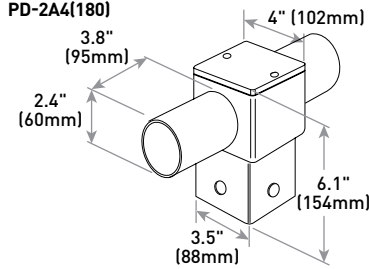


PD Series

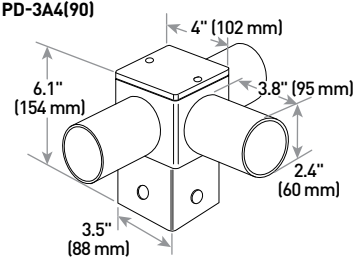
PD-2A4(90)



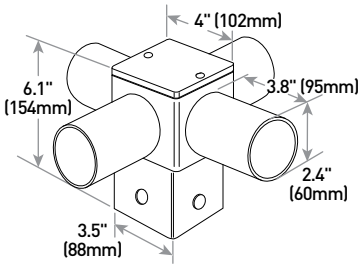
PD-2A4(180)



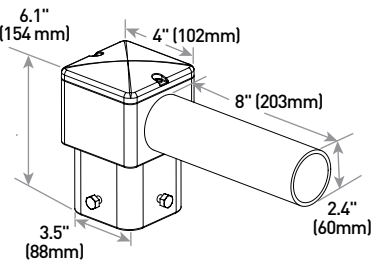
PD-3A4(90)



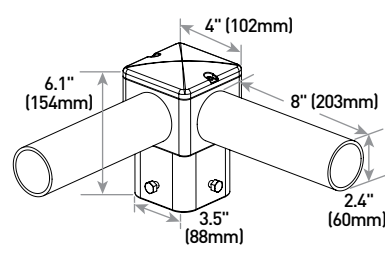
PD-4A4(90)



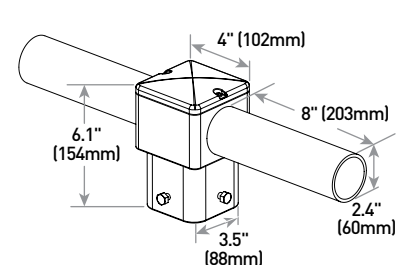
PD-1H4



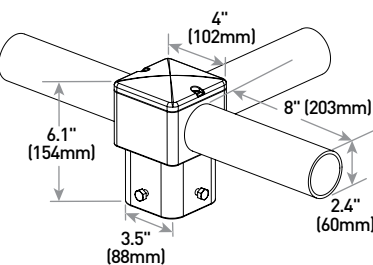
PD-2H4(90)



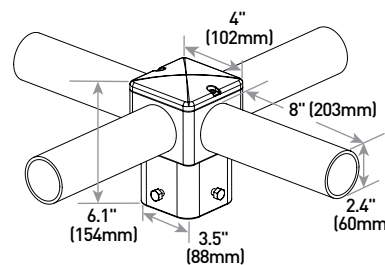
PD-2H4(180)



PD-3H4(90)



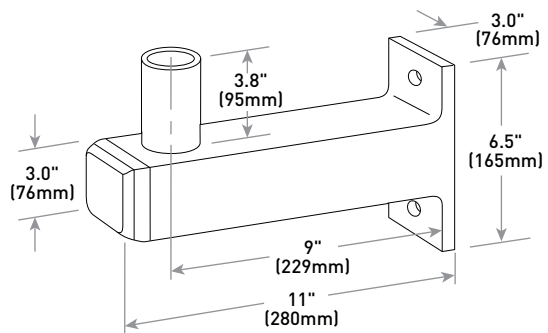
PD-4H4(90)



Brackets and Tenons

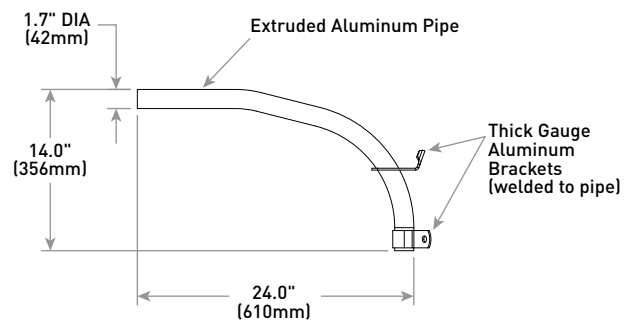
PW Series

PW-1A3, PW-2A3



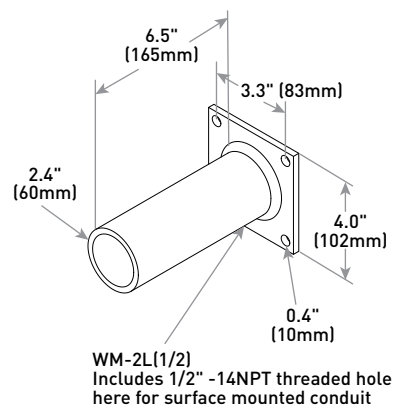
RUL Series

RUL-ARM24

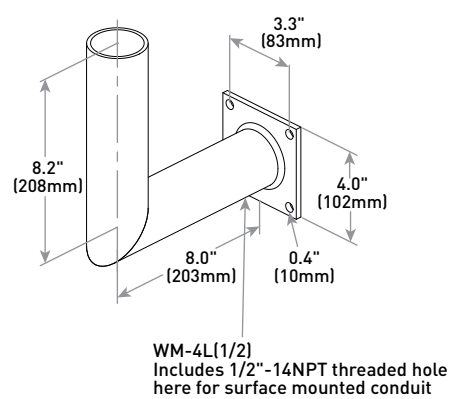


WM Series

WM-2L/WM-2L(1/2)

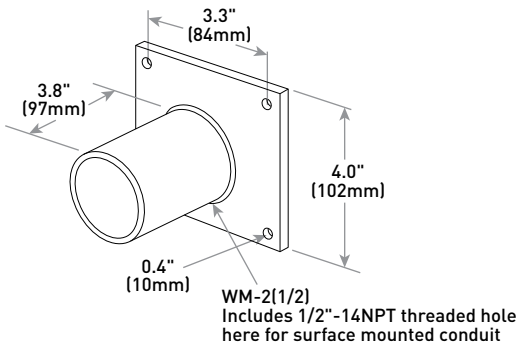


WM-4L/WM-4L(1/2)

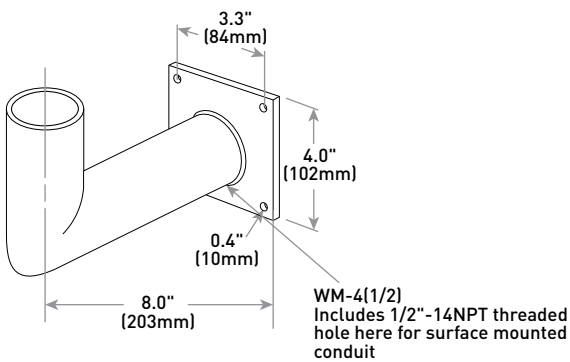


WM Series

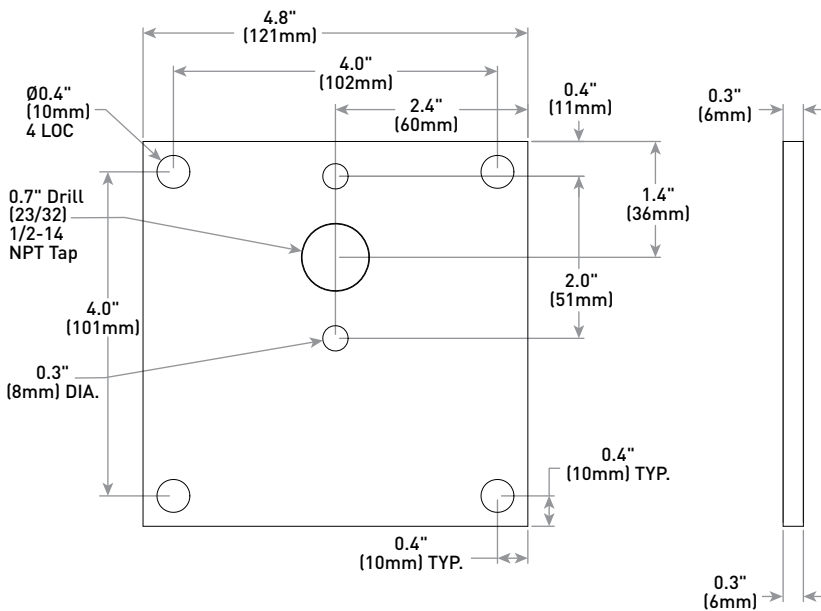
WM-2/WM-2(1/2)



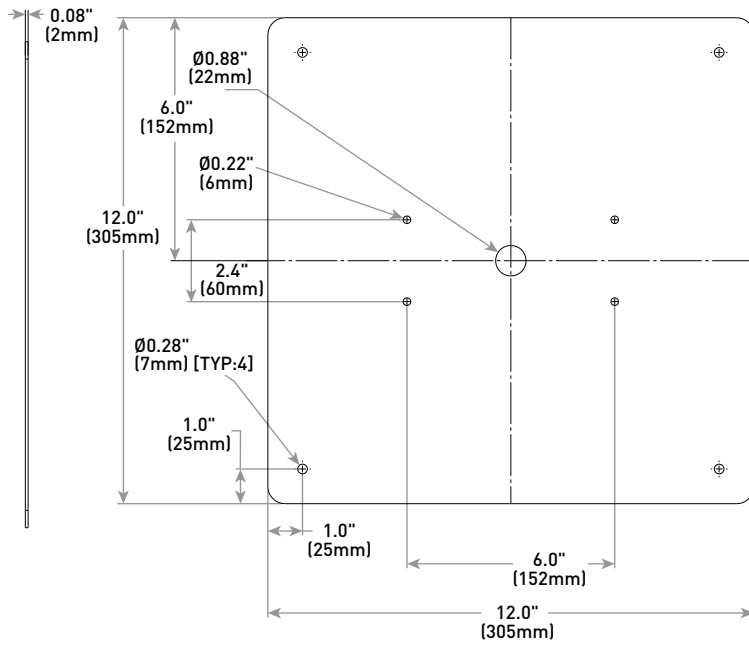
WM-4/WM-4(1/2)



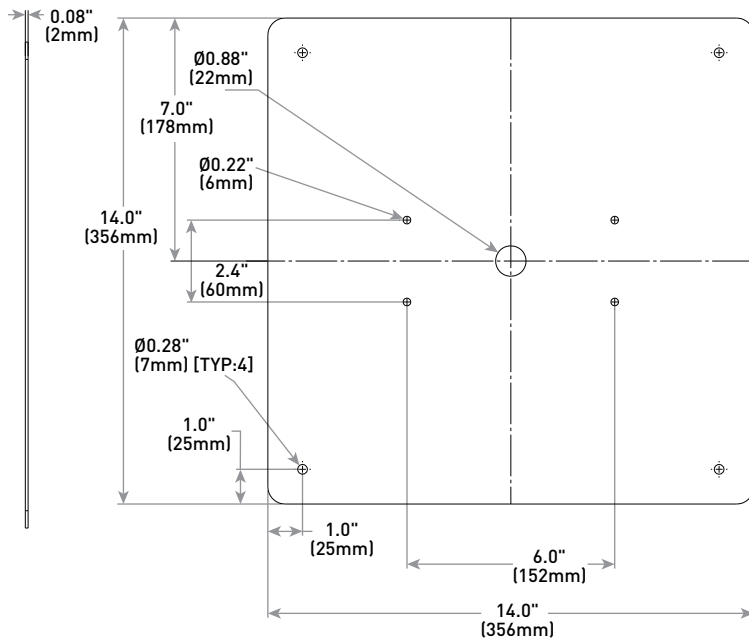
WM-DM



WM-PLT12



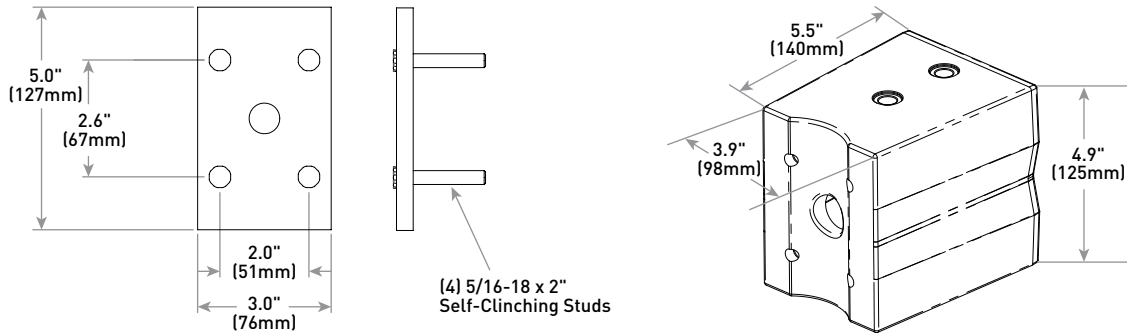
WM-PLT14



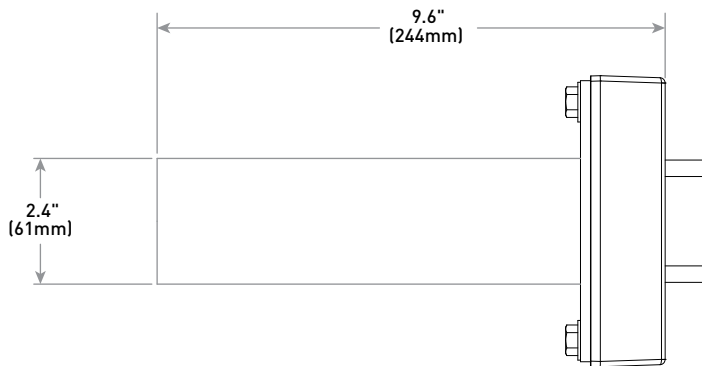
Brackets and Tenons

Direct Mount Bracket

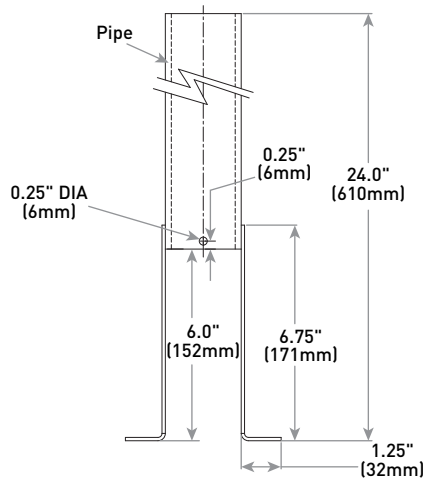
EHO-UNV



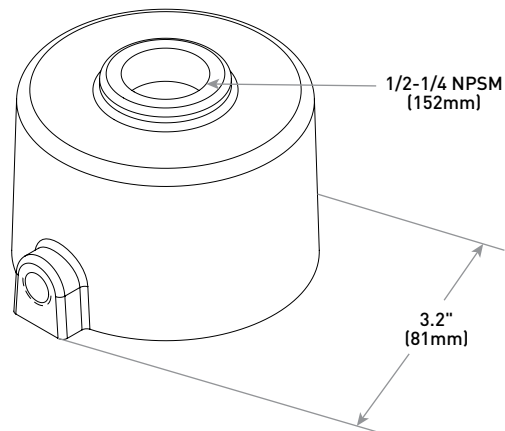
XA-TMDA8



PGM-1



MNH-2




Brackets and Tenons

Tenon EPA

Part Number	EPA
PB-1A*	None
PB-2A*	0.82
PB-3A*	1.52
PB-4A*(180)	2.22
PB-4A*(90)	1.11
PB-2R2.375	0.92
PB-3R2.375	1.62
PB-4R2.375	2.32
PD Series Tenons	0.09
PT Series Tenons	0.10
PW-1A3**	0.47
PW-2A3**	0.94
RUL-ARM24	0.42
WM-2	0.08
WM-2L	0.13
WM-4	0.25
WM-4L	0.32
WM-DM	None
WM-PLT12	None
WM-PLT14	None
XA-TMDA8	0.19

* Specify pole size: 3 [3"], 4 [4"], 5 [5"] or 6 [6"] for single, double or triple luminaire orientation or 4 [4"], 5 [5"] or 6 [6"] for quad luminaire orientation
** These EPA values must be multiplied by the following ratio: Fixture Mounting Height/Total Pole Height. Specify pole size: 3 [3"], 4 [4"], 5 [5"] or 6 [6"]

 **CA RESIDENTS WARNING:** Cancer and Reproductive Harm –
www.p65warnings.ca.gov

© 2019 Cree Lighting, A company of IDEAL INDUSTRIES. All rights reserved. For informational purposes only. Content is subject to change. Patent www.creelighting.com/patents. Cree®, Cree Edge®, and the Cree logo are registered trademarks of Cree, Inc. LEDway® and Colorfast DeltaGuard® are registered trademarks, and OSQ™, XSPW™, RSW™, and Traveyo™ are trademarks of Cree Lighting, A company of IDEAL INDUSTRIES.

US: creelighting.com (800) 236-6800

Canada: creelighting-canada.com (800) 473-1234

CREE  **LIGHTING**

A COMPANY OF **IDEAL INDUSTRIES, INC.**