

IMPORTANT SAFEGUARDS

When using electrical equipment, basic safety precautions should always be followed including the following:

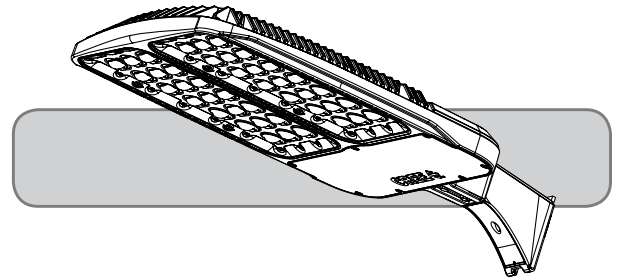
READ AND FOLLOW ALL SAFETY INSTRUCTIONS

- DANGER**- Risk of shock- Disconnect power before installation. **DANGER – Risque de choc – Couper l'alimentation avant l'installation.**
- This luminaire must be installed in accordance with the NEC or your local electrical code. If you are not familiar with these codes and requirements, consult a qualified electrician. *Ce produit doit être installé conformément à NEC ou votre code électrique local. Si vous n'êtes pas familier avec ces codes et ces exigences, veuillez contacter un électricien qualifié.*

SAVE THESE INSTRUCTIONS FOR FUTURE REFERENCE

- Prior to installation, store luminaire in a dry location protected from rain, dust, and outdoor environment. If equipped with a photocell receptacle, remove the protective cover only if immediately replacing with a suitable photocell, shorting cap, or other compatible device. The protective socket cover is not intended to remain in place after installation. Do NOT leave receptacle open to environmental elements. Luminaires with a top-mounted photocell receptacle should not be installed in an up-light position or at a tilt greater than 45 degrees from the down-light position.

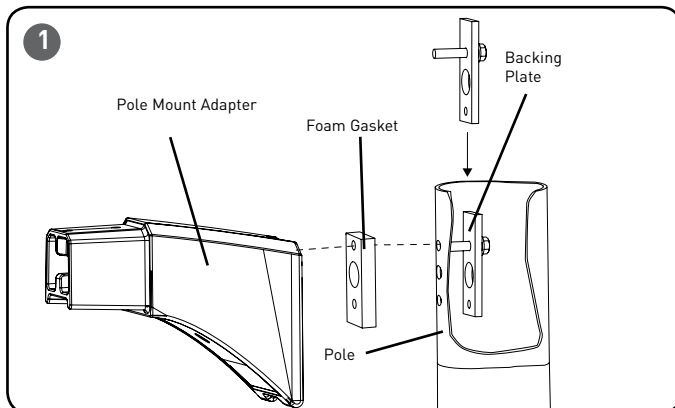
INSTALLATION INSTRUCTIONS INSTRUCTIONS D'INSTALLATION



Tools Required:

- #2 Philips screwdriver
- 9/16" socket
- 5/32" hex drive
- Wire cutter, if necessary
- Wire stripper, if necessary
- T20 torx drive (for Field Adjustable Dimming, if necessary)
- Torque wrench
- 1/2" Socket
- 6" Socket Extension
- #2 Phillips Bit
- T20 Bit

TO INSTALL:



DIRECT POLE MOUNT

STEP 1:

For pole mounting, verify that there is access into the top of the pole.

STEP 2:

If necessary, drill (3) holes into the pole for mounting. Refer to the Pole Template in this document for size and location of holes.

STEP 3:

From the top of the pole, insert backing plate into the pole with the threaded hole on the bottom. Insert one 5/16" hex bolt through the top hole and pole with the head of the bolt on

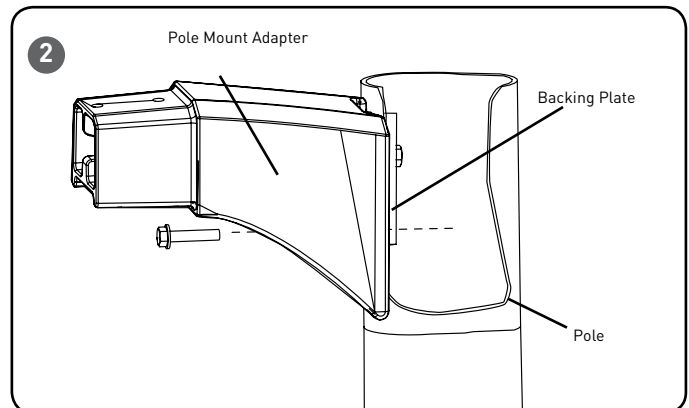
the inside of the pole. See **Figure 1**.

STEP 4:

Remove any extra gasket plugs from the foam gasket and place onto the bolt extending outwards from the pole to temporarily retain the bolt. See **Figure 1**.

STEP 5:

Remove the Cover Plate from the bottom of the Pole Mount Adapter by loosening the self-retained screw in the center of the Cover Plate. Set Cover Plate aside to reinstall later.

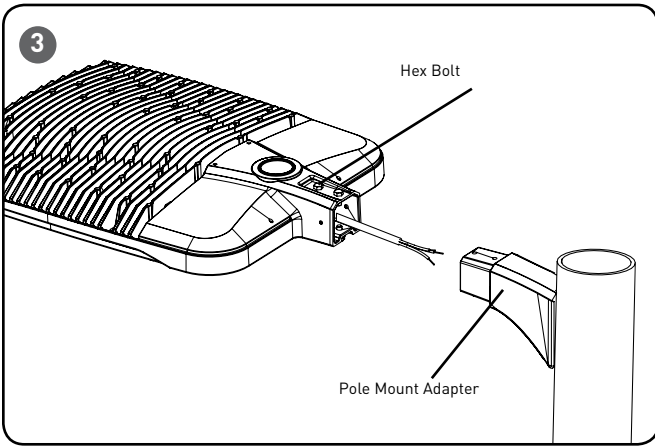


STEP 6:

Align the top hole on the Pole Mount Adapter with the bolt extending from the pole and thread the bolt loosely into the Pole Mount Adapter. See **Figure 1**.

STEP 7:

Align the bottom hole on the Pole Mount Adapter with the threaded hole on the Backing Plate. From inside the Pole Mount Adapter, thread one 5/16" hex bolt into the threaded hole in the Backing Plate. Straighten pole mount adapter then torque both 5/16" hex bolts to 132 in-lbs [15 Nm]. See **Figure 2**.



STEP 8:

Route the luminaire power supply cord through the Pole Mount Adapter and into the Pole and slide the luminaire onto the Pole Mount Adapter. See **Figure 3**.

STEP 9:

Install (4) 3/8" hex bolts through the luminaire housing and into the Pole Mount Adapter. Torque to 360 in-lbs. See **Figure 3**.

STEP 10:

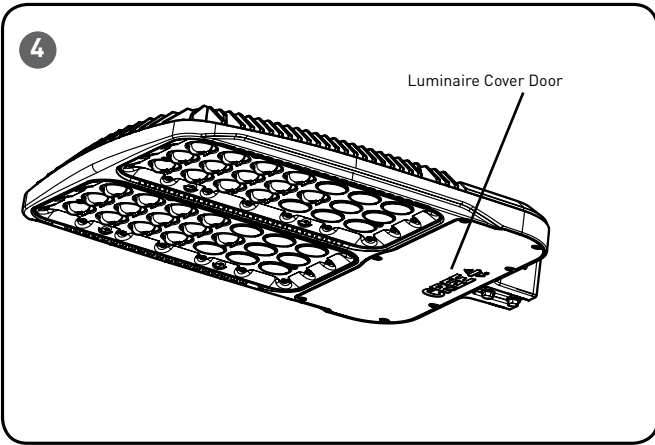
Install then tighten the 5/16" setscrew on the side of the Luminaire Housing. Torque setscrew to 120 in-lbs [14 Nm]. See **Figure 1**.

STEP 11:

Replace the Cover Plate that was removed previously and secure with (1) self-retained screw. Torque screw to 23 in-lbs [2.6 Nm]. See **Figure 4**.

STEP 12:

Make the electrical connections per **Electrical Connections** section of this document. Cut leads from the luminaire power supply cord and re-strip as necessary.



NEMA® RECEPTACLE (OPTIONAL)

STEP 1:

Remove protective cap.

STEP 2:

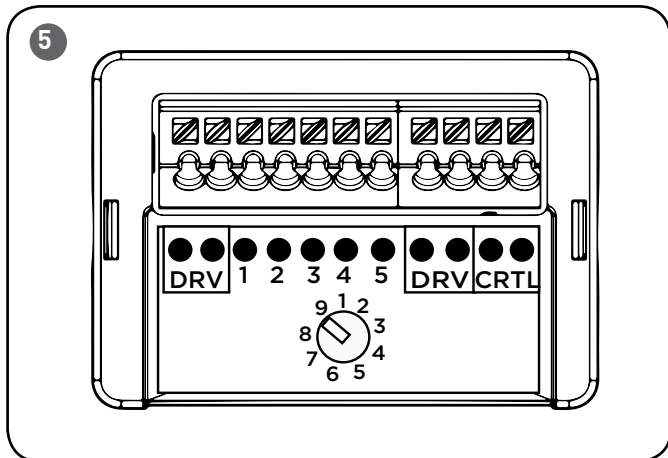
Rotational adjustment of the photocontrol receptacle is tool-less. DO NOT loosen/tighten the screws securing the receptacle to the housing.

STEP 3:

Engage/install photocontrol into photocontrol receptacle on to of luminaire.

STEP 4:

If necessary, rotate photo-control so its photo-eye is aimed in the north direction. Some photo-controls operate best somewhere between north-west and north-east.



FIELD ADJUSTABLE DIMMING - (OPTIONAL)

NOTE: This luminaire may be provided with field adjustable dimming. If so, luminaires leave the factory adjusted to the maximum setting specified when ordered. Visit www.cree.com/Lighting/Document-Library for product dimming spec sheet.

STEP 1:

The Dimming module is located inside the luminaire. Open the luminaire door cover by loosening the (7) screws. See **Figure 1**.

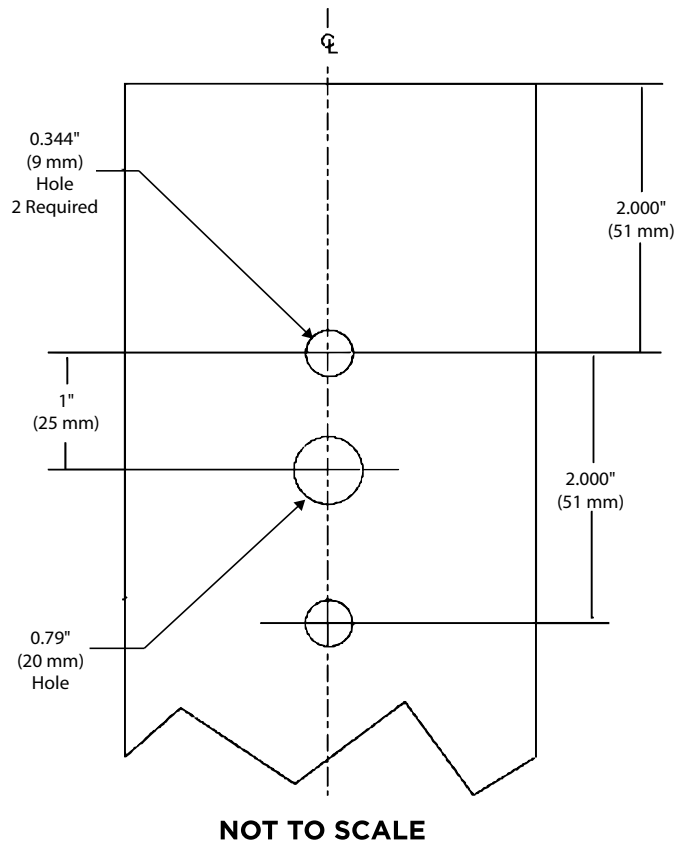
STEP 2:

Establish the desired input power multiplier by referring to the product dimming spec sheet and adjust the setting on the Dimming Module to the desired position.

STEP 3:

Replace the Luminaire Door Cover that was removed in Step 1. Torque screws to 23 in-lbs [2.6 N•m]. Ensure that the Luminaire Door Cover Seal does not get disturbed during this process.

POLE TEMPLATE



ELECTRICAL CONNECTIONS

STEP 1:

Using Listed 90°C minimum rated wire connectors make the following electrical connections within the adjustable fitter wiring compartment:

- For 120/277/347V connect the black fixture lead to the voltage supply or Hot 1 (for 208/240/480V wiring).
- For 120/277/347V connect the white fixture lead to the neutral supply or Hot 2 (for 208/240/480V wiring).
- Connect the green or green/yellow ground lead to ground.
- For Dimming connect the violet dimming positive lead to the supply dimming positive lead. If dimming is not going to be used cap of the violet lead.
- For Dimming connect the grey dimming negative lead to the supply dimming negative lead. If dimming is not going to be used cap of the grey lead.
- Connect orange fixture lead to orange supply lead.
- Connect brown fixture lead to brown supply lead.

