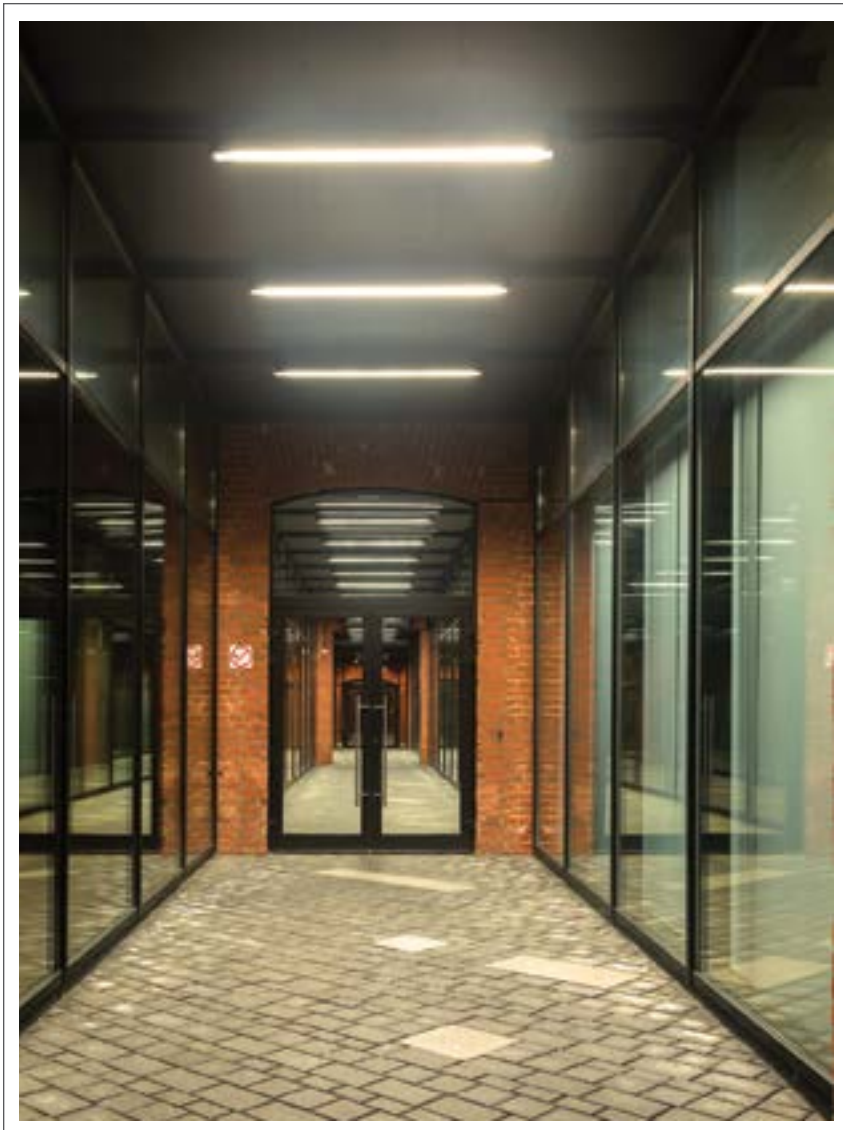




1000Bulbs.com
EXCLUSIVE

Direct8™
LED

LED T8 Type A Tubes (Direct Replacement)



TCP has a new generation of LED compatible replacement T8 tubes for linear fixtures. LED T8 tubes that are compatible with instant start ballasts.

Limitless Options for the following applications:

- Offices
- Retail Stores
- Schools
- Restaurants
- Lobbies
- Hospitals

ETL CLASSIFIED



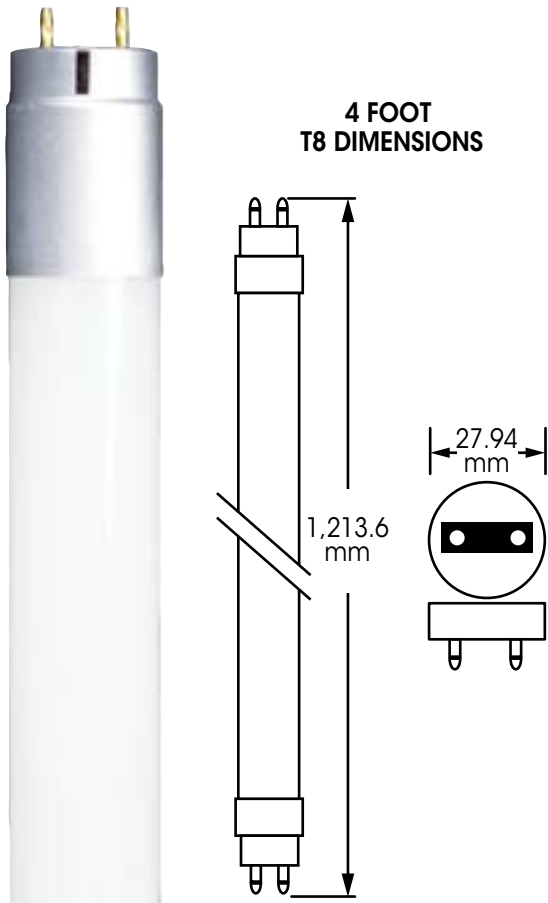
RoHS
COMPLIANT

5 YEAR
WARRANTY

CONTACT

your 1000Bulbs.com Representative
for more information at: **(800) 624-4488**

LED T8 Type A Tubes



FEATURES and BENEFITS

- >50% energy savings (based on T8 NBF energy use)
- Long 50,000 hour rated life—minimizes replacements and labor costs
- Compatible with Instant Start ballasts and most traditional fluorescent ballasts
- No rewiring of fixture—simply replace fluorescent lamp with LED lamp
- Instant on/off
- No mercury—great for all environments
- Approved for open and enclosed fixtures
- No UV

SPECIFICATIONS

- Base Type: G13
- Construction: Double ended
- Wattage: 15w, 18w
- Input Line Voltage: 120-277V
- Minimum starting temperature range: -20C / -5F
- Safety: ETL Classified
- Environment: Damp/dry locations
- Enclosed: Suitable for enclosed luminaires
- Rated life: 50,000+ hours
- Beam Angle: 190°
- Field Angle: 300°



5 YEAR WARRANTY

WARRANTY

Five years against defects in manufacturing

ITEM	MODEL	VOLTAGE	ACTUAL POWER CONSUMPTION	LUMENS	CRI	POWER FACTOR	COLOR TEMP	DIM/ND	MIN STARTING TEMP	LENGTH	WEIGHT	LIFESPAN	ETL LISTED
TCP-10196	T80425	120-277V (Ballast)	15W	2000lm	>80	>0.9	4100K	ND	-20C / -5F	1,213.6mm	190g±5%	50,000 hrs	YES
TCP-10197	T80425	120-277V (Ballast)	15W	2000lm	>80	>0.9	5000K	ND	-20C / -5F	1,213.6mm	190g±5%	50,000 hrs	YES
TCP-10198	T80433	120-277V (Ballast)	18W	2400lm	>80	>0.9	4100K	ND	-20C / -5F	1,213.6mm	190g±5%	50,000 hrs	YES
TCP-10199	T80433	120-277V (Ballast)	18W	2400lm	>80	>0.9	5000K	ND	-20C / -5F	1,213.6mm	190g±5%	50,000 hrs	YES

NOTE: Use shunted sockets for Instant Start ballasts

LED T8 TYPE A TUBES Ballast Compatibility Guide

MANUFACTURER	SERIES	MODEL	VOLTAGE
General Electric		GE132MAX-L/ULTRA	UNIV
		GE132MAXP-N/ULTRA	UNIV
		GE232MAX347-N	347
		GE232MAX-N/ULTRA	UNIV
		GE232MAX-G-N/ULTRA	UNIV
		GE232MAXP-H/ULTRA	UNIV
		GE332MAXP-H/ULTRA	UNIV
		GE332MAXP-N/ULTRA	UNIV
		GE332MAX-L/ULTRA	UNIV
		GE332MAX-G-N	UNIV
		GE432MAX347-N	347
Osram	QHE	2x32T8/ISN-SC	UNIV
	QHE	2x32T8/ISN-SC	347
Philips	Advance	GOPA-2P32-SC	347
	Advance	GOPA-4P32-SC	347
	Advance	ICN-2P32-N	UNIV
	Advance	ICN-3P32-N	UNIV
	Advance	ICN-4P32-N	UNIV
	Advance	IOP-2P32-LW-N	UNIV
	Advance	IOP-3P32-N	UNIV
	Advance	IOPA-4P32-LW-N	UNIV
	Advance	IOPA-4P32-LW-SC	UNIV
	Advance	IOPA-4P32-N	UNIV
TCP		E2P32ISUNVE	UNIV
		E2P32ISUNVHE	UNIV
		E2P32ISUNVLE	UNIV
		E3P32ISUNVE	UNIV
		E3P32ISUNVHE	UNIV
		E3P32ISUNVLE	UNIV
		E4P32ISUNVE	UNIV
		E4P32ISUNVHE	UNIV
		E4P32ISUNVLE	UNIV
Universal Lighting Technologies	Triad	B132IUNVHP-N	UNIV
	Triad	B232IUNVHP-N	UNIV
	Triad	B332IUNVHP-A	UNIV
	Triad	B432IUNVHP-A	UNIV
	Triad	B232I347HP-A	347
	Triad	B432I347HP-000C	347
IOTA		I-320 IOTA EMERGENCY BALLAST	



TECHNOLOGY CAST IN A BEAUTIFUL LIGHT

For over 20 years, TCP has been designing, developing and delivering energy-efficient lighting into the market. Thanks to our cutting-edge technology and manufacturing expertise, we have shipped billions of high quality lighting products. With TCP, you can count on a lighting product that is designed to meet the needs of the market—that transforms your surroundings and envelopes you in warmth—lighting that generates beauty with every flip of the switch.

