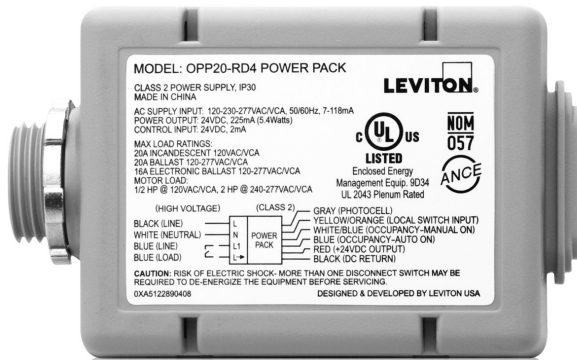


Super Duty Power Pack Line

High performance line includes models for daylight harvesting, bi-level switching, plug load control, CA Title 24, occupancy sensing control and manual switching



DEFINITION

The OPP20 is the latest addition to the Leviton Power Pack family, delivering a wide array of switching solutions in a single unit. Submitted for stringent testing, this robust power pack line is designed to deliver unmatched performance. The OPP20 line features robust and reliable mechanical latching relays, exclusive fail-safe circuitry, daylight harvesting, bi-level switching and is configurable for energy code requirements. Exclusive Leviton High Inrush Stability (H.I.S.) circuitry is specifically designed to handle high inrush electronic ballast loads and offer unmatched durability and service.

APPLICATIONS

- Can be used to comply with NY LL48, IECC, ASHRAE 90.1 and Title 24, Part 6 daylight harvesting, demand response, bi-level switching and receptacle control requirements
- Auto-ON/auto-OFF with local switch
- Manual-ON/auto-OFF with local switch

OPP20 SOFTWARE FEATURES

- Fail-safe circuitry/return-to-closed capability

OPP20-OD1

- Auto-ON occupancy sensor input

OPP20-OD2

- Exclusive patented self-detect configurable local switch input - momentary or maintained
- Configurable for auto-ON and manual-ON occupancy sensor inputs

OPP20-RD3

- Auto-ON occupancy sensor input
- Photocell ready

OPP20-RD4

- Exclusive patented self-detect configurable local switch input - momentary or maintained
- Configurable for auto-ON and manual-ON occupancy sensor inputs
- Photocell ready

OPP20 HARDWARE FEATURES

- Robust and reliable mechanically held latching relay provides dependability and robust performance for all load types and provides power savings over electrically held relay power packs
- Industry exclusive fail-safe circuitry - in the event of product failure, return-to-closed capability causes relay to default to a closed position (ON) for safe operation and alleviates life safety concerns
- Industry exclusive H.I.S. circuit designed to handle high inrush electronic ballast loads
 - Factory calibrated zero crossing for extended life of the relay
- Submitted and passed for stringent testing:
 - Tested over 1,500,000 loaded cycles
 - Passed NEMA 410 testing for Electronic Ballast Inrush Current
 - UL/cUL 916 listed for Energy Management Equipment
- Power supply output short circuit protection
- Voltage regulated at 24VDC, 225mA
- Optimal installation flexibility
 - Class 2 wires are Teflon coated for UL2043 Plenum Rated applications
 - Mounts inside or outside fluorescent ballast cavity
 - Mounts inside or outside junction box
- RoHS compliant

OPP20-OD1 • OPP20-OD2 • OPP20-RD3 • OPP20-RD4

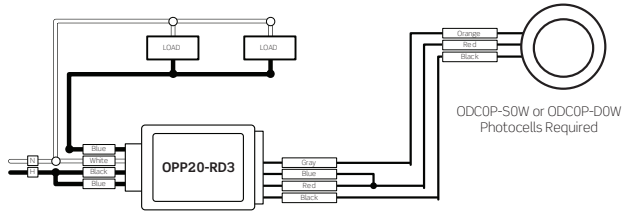


PRODUCT DATA

APPLICATION DIAGRAMS

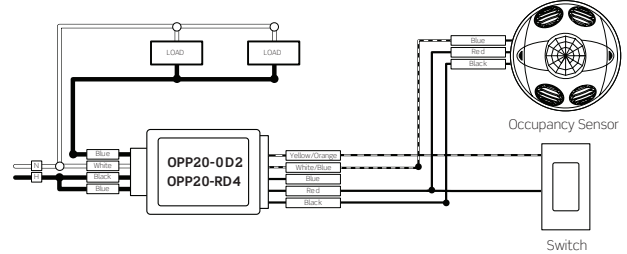
OPP20-0D1 • OPP20-0D2 • OPP20-RD3 • OPP20-RD4

Photocell ONLY Room Control



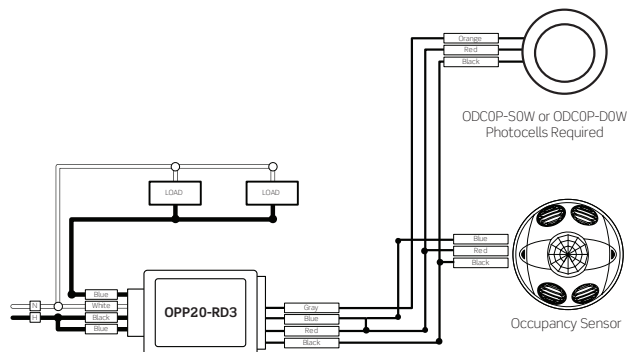
NOTE: Power Pack and the load switched by the power pack **MUST** be fed from the same phase.

Manual ON/Auto OFF with Local Switch



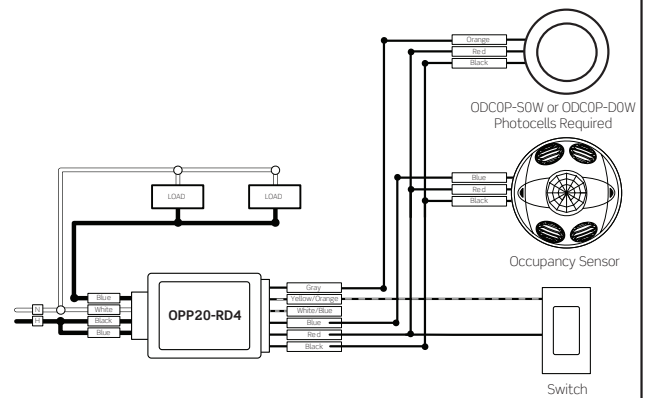
NOTE: Power Pack and the load switched by the power pack **MUST** be fed from the same phase.

Photocell and Occupancy Sensor Room Control



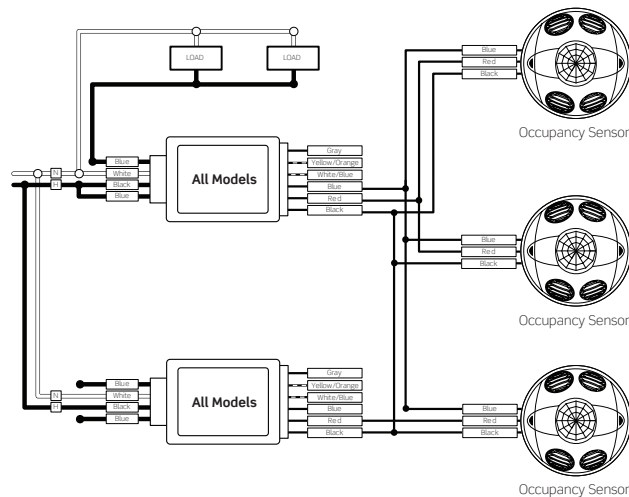
NOTE: Power Pack and the load switched by the power pack **MUST** be fed from the same phase.

Photocell and Occupancy Sensor with Local Switch



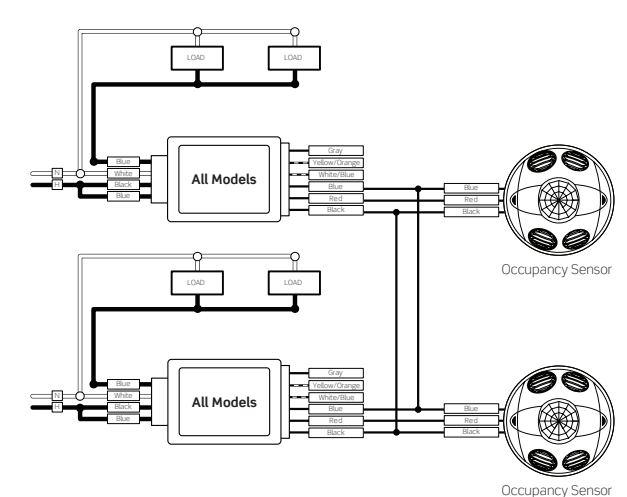
NOTE: Power Pack and the load switched by the power pack **MUST** be fed from the same phase.

Multiple Occupancy Sensors Exceeding the Power Pack's Rating



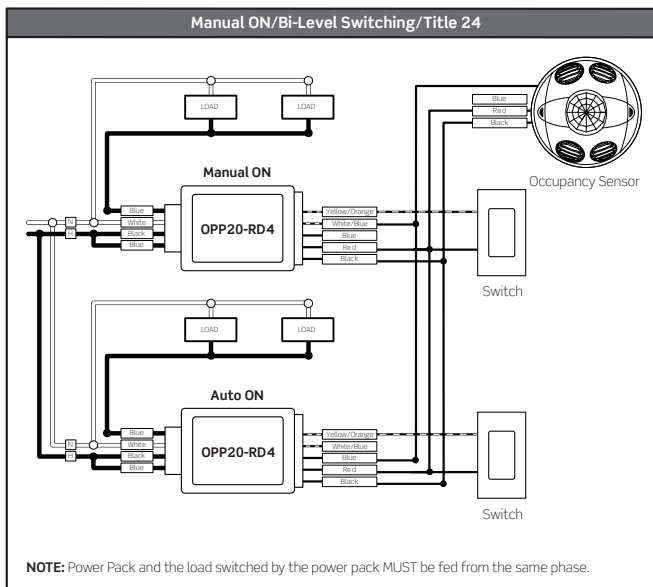
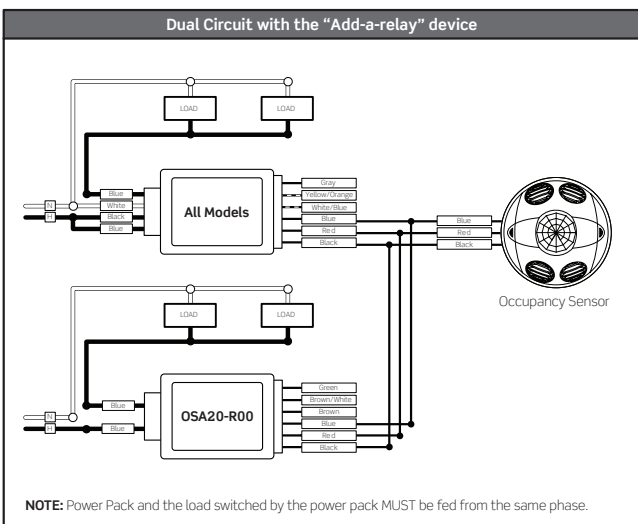
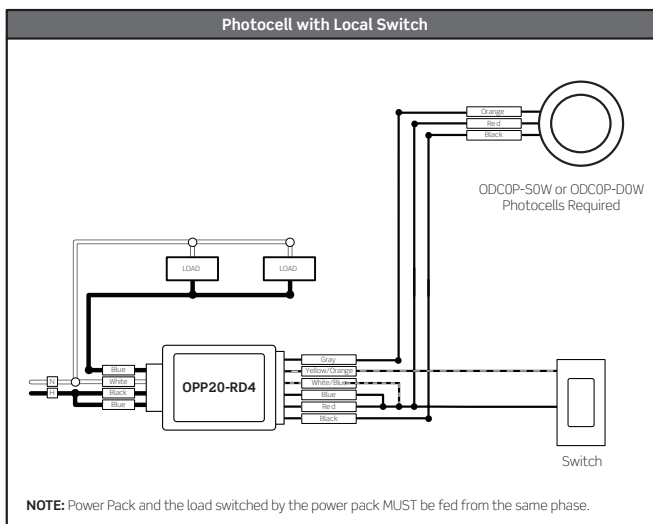
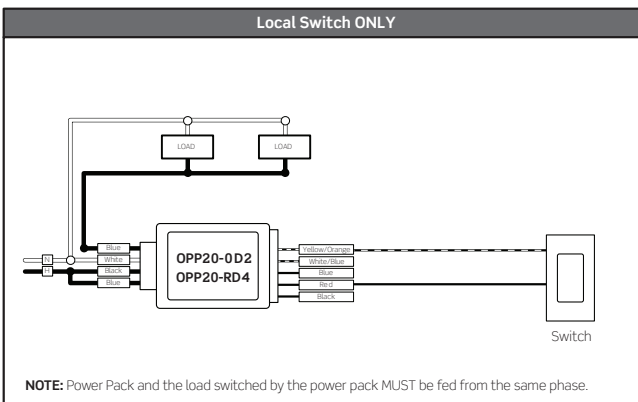
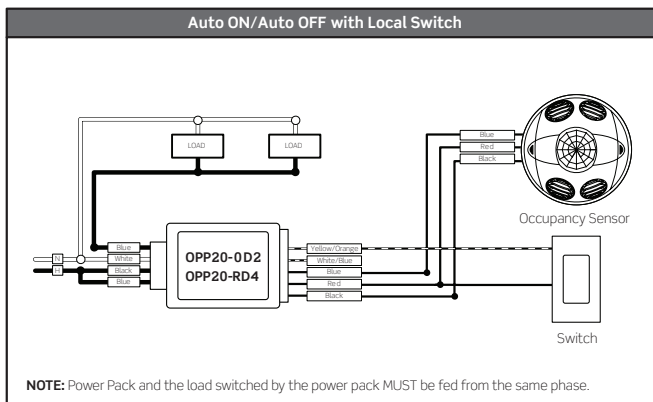
NOTE: Power Pack and the load switched by the power pack **MUST** be fed from the same phase.

Multiple Loads Exceeding a Single Power Pack's Load Rating

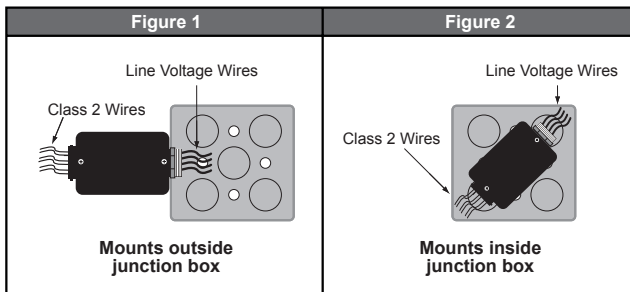


NOTE: Power Pack and the load switched by the power pack **MUST** be fed from the same phase.

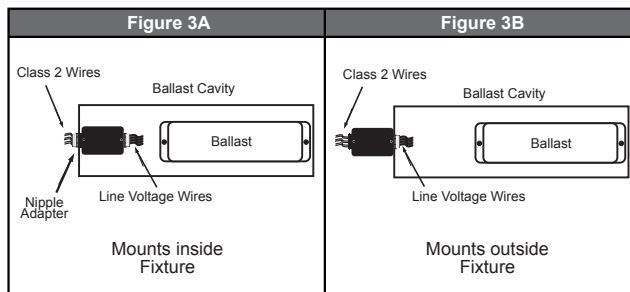
APPLICATION DIAGRAMS



JUNCTION BOX INSTALLATION



FLUORESCENT BALLAST INSTALLATION



For additional wiring diagrams, see the Occupancy Sensors Application Cookbook at www.leviton.com/lesdrawings.

OPP20-0D1 • OPP20-0D2 • OPP20-RD3 • OPP20-RD4

PRODUCT DATA



SPECIFICATIONS

ENVIRONMENTAL	
Operating Temperature Range	32 to 122°F (0 to 50°C)
Relative Humidity	0 to 90% non-condensing, for indoor use only
OTHER	
Construction	Case: high impact, UL rated plastic Relay: 60A rated magnetic latching relay; silver alloy contacts Wire: 6" leads, 18AWG input; 14AWG load; LV connections: 8" leads 22AWG
Dimensions	2.40"H x 3.81"W x 1.43"D (60.96mm x 96.80mm x 36.37mm)
Listings	UL/cUL Listed, FCC Certified, NOM Certified, can be used to comply with NY LL48, IECC, ASHRAE 90.1 and Title 24, Part 6 daylight harvesting, demand response, bi-level switching and receptacle control requirements, RoHS Compliant
Color	Gray
Warranty	Limited five-year warranty

ORDERING INFORMATION*

DESCRIPTION	CAT. NO.	POWER INPUT	RELAY RATING	CONTROL INPUTS	POWER SUPPLY OUTPUT
Power Back, Basic with Auto-ON	OPP20-0D1	120-230-277VAC, 50/60 Hz	20A, 2400W @ 120V - Resistive 20A, 2400W @ 120V - General Purpose 20A, 2400W @ 120V - Incandescent 20A, 2400W @ 120V - Fluorescent 16A, 1920VA @ 120V - Electronic Ballasts 16A, 1920W @ 120V - LED 20A, 5540W @ 277V - Resistive 20A, 5540W @ 277V - General Purpose 20A, 5540VA @ 277V - Fluorescent 16A, 4430VA @ 277V - Electronic Ballasts 16A, 4430W @ 277V - LED 1/2 HP @ 120V - Motor Load 2 HP @ 240/277V - Motor Load	2mA, 24VDC	225mA, 24VDC, 5.4W
Power pack with auto-ON, manual-ON, and local switch inputs	OPP20-0D2				
Power pack with auto-ON and photocell input	OPP20-RD3				
Power pack with auto-ON, manual-ON, local switch, and photocell input	OPP20-RD4		Suitable for general purpose plug load control - 20A, 2400W @120V - Can be used to comply with NY LL48, IECC, ASHRAE 90.1 and Title 24, Part 6 daylight harvesting, demand response, bi-level switching and receptacle control requirements		

*For CE Compliant Lighting Control Module, see the OPPCE data sheet.

POWER PACK CAPACITY FORMULA

Leviton power packs can be used to provide power to one or more occupancy sensors. Since current consumptions of occupancy sensors may vary, the best way to ensure you order the correct number of power packs and add-a-relays is by using this formula:

$$\begin{array}{|c|} \hline \# \text{ of sensor Model As} \\ \hline \times \\ \hline \text{Sensor A current consumption} \\ \hline \end{array}
 +
 \begin{array}{|c|} \hline \# \text{ of sensor Model Bs} \\ \hline \times \\ \hline \text{Sensor B current consumption} \\ \hline \end{array}
 +
 \begin{array}{|c|} \hline \# \text{ of Add a Relays} \\ \hline \times \\ \hline 50\text{mA} \\ \hline \end{array}
 \leq 225\text{mA}$$

Power supply output per below chart



DESCRIPTION	CURRENT CONSUMPTION
OSC04-I, OSC15-I, OSWHB-I, OSWLR-I, OSWWV-I	10-15mA
OSC05-M, OSC05-U, OSW12-M	25mA
OSC10-M, OSC10-U	35mA
OSC20-M, OSC20-U	30mA
OSA20-R Add-a-Relay	50mA
ODCOP-S0W Switching Photocell	10mA
ODCOP-D0W Dimming Photocell	10mA

Leviton Manufacturing Co., Inc. Global Headquarters

201 North Service Road, Melville, NY 11747-3138 tel 800-323-8920 fax 800-832-9538 tech line (8:30AM-7:00PM ET Mon-Fri) 800-824-3005

Leviton Manufacturing Co., Inc. Energy Management, Controls and Automation

20497 SW Teton Avenue, Tualatin, OR 97062 tel 800-736-6682 fax 503-404-5594 tech line (6:00AM-4:00PM PT Mon-Fri) 800-959-6004

Visit our Website at: www.leviton.com/sensors

©2017 Leviton Manufacturing Co., Inc. All rights reserved. Subject to change without notice.

G-9008G/L17-aa
REV DEC 2017

OPP20-0D1 • OPP20-0D2 • OPP20-RD3 • OPP20-RD4