

SORAA healthy™



2
PACK

THE SLEEP-FRIENDLY LIGHT THAT LOOKS AS GOOD AS IT FEELS

We designed Soraa HEALTHY™ lamps with our unique Soraa ZEROBLUE™ technology, which means your body recognizes the time for sleep as nature intended. Evenings are more restful, your body relaxes, and sleep comes more easily.

SORAA ZEROBLUE TECHNOLOGY

Soraa HEALTHY lamps have no blue content in the spectrum (as opposed to just dimming the light and producing a warmer tone) so there is no overexposure to blue light in the evening which can negatively impact our sleep cycles and longer-term health.

Soraa's patented ZEROBLUE technology advances LED science by creating an emitter of high-quality white light without blue radiation. Based on Soraa's world leading violet LEDs, Soraa combines an engineered mix of green and red phosphors to produce a spectrum with a wide gap in the blue range.

Soraa HEALTHY lamps not only provide circadian-health benefits of no blue content to support better sleep and healthy environments, but they also retain a beautiful, white light quality, making these lamps functional for any space.

FLICKER

Soraa lamps demonstrate low levels of flicker in both dimmed and undimmed states.

THERMALLY COMPATIBLE

Suitable for use in fully enclosed fixtures, subject to the maximum heatsink temperature limits stated in this data sheet. Soraa lamps are designed to safely turn down in any thermal environment not conducive to minimum airflow or proper ventilation.

ELECTRICALLY COMPATIBLE

Works with trailing edge and leading edge phase cut dimmers.

MR16 7.5W

HIGH COLOR QUALITY, ENCLOSED FIXTURE COMPATIBLE LED LAMP FOR USE IN MR16 COMPATIBLE DOWNLIGHTS AND OTHER INDOOR AND OUTDOOR APPLICATIONS

OUTPUT RANGE 400 lumen

BEAM ANGLE 36°

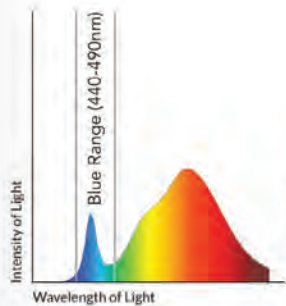
COLOR METRICS CCTs: 2700K
Color Rendering
CIE Metrics: CRI 80, R9 90

APPLICATION Halogen replacement for applications that require low or no blue in the spectrum



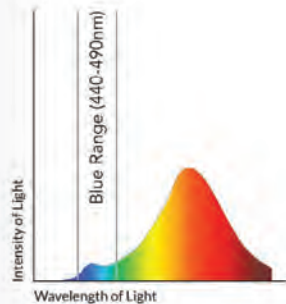
ZEROBLUE WITH 100% VISUAL APPEAL

STANDARD LED – large blue peak



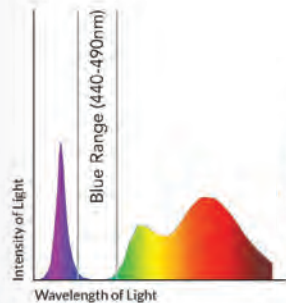
Faded colors and whites

SLEEP LED – reduced blue, unnatural yellow



Unnatural yellow tint

SORAA ZEROBLUE LED – soft white light with no blue



Beautiful colors and whites

SORAA healthy™

LIFETIME AND WARRANTY

Rated lifetime to L70: 25,000 hours

Warranty: 3 years or 25,000 hours whichever comes first

LOCATION RATING

Suitable for damp locations

Not rated for use in wet locations, should not be exposed to liquid water (including condensation).

OPERATING TEMPERATURE

Minimum: -40° C (ambient)

Typical: 85° C - 95° C (lamp base)

Maximum: 100° C (lamp base)

ELECTRICAL SPECIFICATIONS

Wattage: 7.5W

Voltage: 12V +/- 1.2V

Frequency: 50/60 Hz

Power Factor: 0.95

Dimmability: <20%

Flicker Index: <0.02

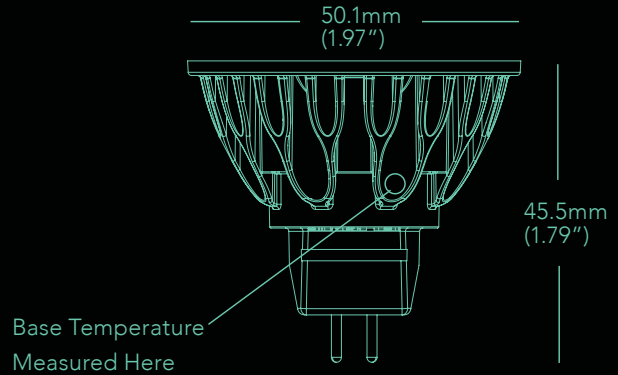
Percent Flicker: <5%

CERTIFICATIONS

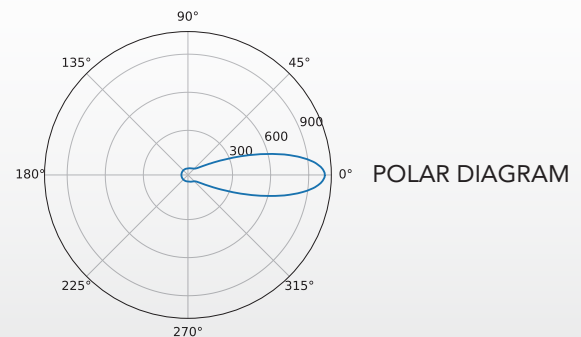
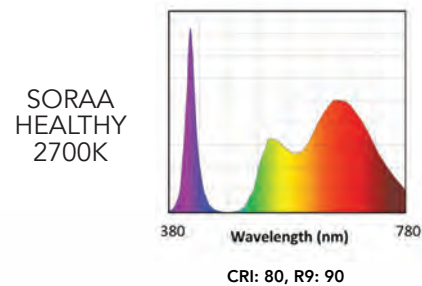
UL/CUL

FCC Title 47 Part 15B

RoHS



SPECTRAL POWER DISTRIBUTION



Model Number	Product Code	CCT (K)	Total Flux (Lm)	Beam Angle (°)	Halogen Equiv (W)**	Efficacy (Lm/W)	CRI/R9	White Point (McA)
--------------	--------------	---------	-----------------	----------------	---------------------	-----------------	--------	-------------------

HEALTHY SERIES

SH-MR16-07-36D-27-01-X2	04695	2700	400	36°	50	53	80 / 90	3
-------------------------	-------	------	-----	-----	----	----	---------	---

*Specifications are at stable warm operating conditions (25°C ambient) **Energy Star Minimum

CCT = Correlated Color Temperature CRI = Color Rendering Index (Ra-8) White Point = White Point Accuracy in McA step

Soraa HEALTHY lamps are available in the following form factors: A60 – A19 – BR30 – MR16 – GU10

Soraa is a registered trademark of Soraa, Inc., Soraa HEALTHY and Soraa ZEROBLUE are trademarks of Soraa, Inc. Information and specifications subject to change. 1.18.19

SORAA[®]
SIMPLY PERFECT LIGHT