



Applications:

Parking structures, storage areas, shopping area walkways, entryway, and low level security.

Features

- Sealed die-casting profile for indoor and outdoor applications.
- Voltage is 120-277V.
- Lumen output from 4750lm with efficacy to 106lm/W.
- Increase energy savings with bi-level PIR sensor.
- Replacing 100W MH.
- Operating temperature is -40°C to 40°C (-40°F to 104°F).
- UL/cUL and DLC pending.



PERFORMANCE DATA

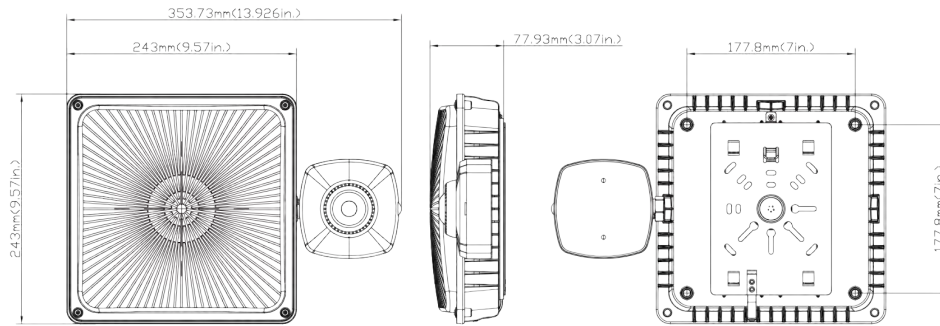
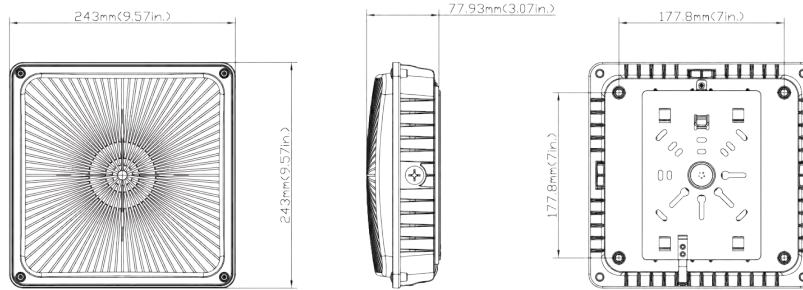
| Luminaire | Ordering | Rated | Wattage | CCT | Initial | Luminaire | CRI | Power | 0-10V Dimmable | Motion Sensor |
|---------------|------------------------|----------------|-----------|--------------|-------------|---------------|-----------|------------|----------------|---------------|
| Type | Code | Voltage(VAC) | (W) | | Lumens(lm) | Efficacy(lpw) | | Factor | | |
| Canopy | MCP0445W27V40KD* | 120-277 | 45 | 4000K | 4750 | 106 | 70 | 0.9 | NO | NO |
| Canopy | MCP0445W27V40KDD | 120-277 | 45 | 4000K | 4750 | 106 | 70 | 0.9 | YES | NO |
| Canopy | MCP0445W27V40KDM | 120-277 | 45 | 4000K | 4750 | 106 | 70 | 0.9 | NO | YES |
| Canopy | MCP0445W27V40KDM | 120-277 | 45 | 4000K | 4750 | 106 | 70 | 0.9 | YES | YES |
| Canopy | MCP0445W27V50KD | 120-277 | 45 | 5000K | 4750 | 106 | 70 | 0.9 | NO | NO |
| Canopy | MCP0445W27V50KDD | 120-277 | 45 | 5000K | 4750 | 106 | 70 | 0.9 | YES | NO |
| Canopy | MCP0445W27V50KDM | 120-277 | 45 | 5000K | 4750 | 106 | 70 | 0.9 | NO | YES |
| Canopy | MCP0445W27V50KDM | 120-277 | 45 | 5000K | 4750 | 106 | 70 | 0.9 | YES | YES |

ELECTRICAL DATA

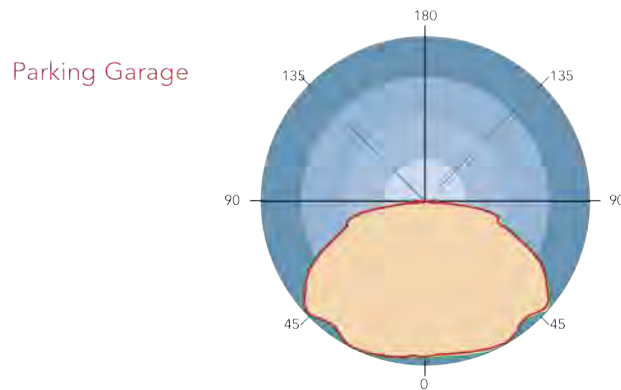
| Number Of Drivers | Driver Current (Amps) | Nominal Power (W) | INPUT VOLTAGE (V) | CURRENT (Amps) |
|-------------------|-----------------------|-------------------|-------------------|----------------|
| 1 | 1.12 | 45 | 120 | 0.38 |
| | | 45 | 208 | 0.22 |
| | | 45 | 240 | 0.19 |
| | | 45 | 277 | 0.16 |

DIMENSION

unit: inch/mm



DISTRIBUTION



ORDERING GUIDE

Example: MCP0445W27V40KDMD

| Fixture Type | Power Consumption | Input Voltage | CCT | Finish | Sensor (Option) | Dimmable(Option) |
|----------------------|----------------------|----------------------|------------------------|-------------------------------------|---------------------------------------|---------------------------------------|
| <input type="text"/> | <input type="text"/> | <input type="text"/> | <input type="text"/> | <input type="text"/> | <input type="text"/> | <input type="text"/> |
| MCP04 MCP Series | 45W 45Watts | 27V 120-277V | 40K 4000K 50K 5000K | D Dark Bronze B Black W White | Blank Without Sensor M With Sensor | D 0-10 Dimmable Blank NON Dimmable |