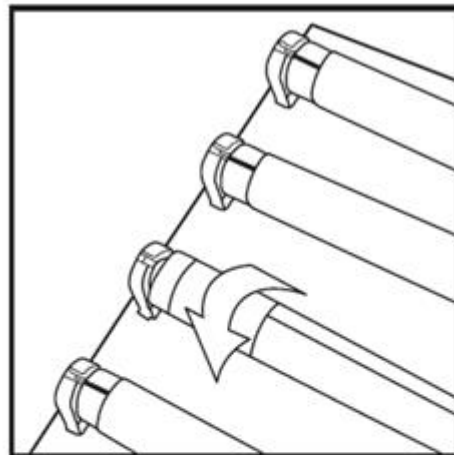
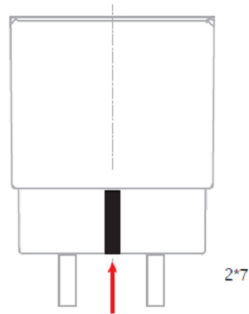


Black line shows that it is the light emitting side of the tube to indicate correct installation.



Twist T8 lamp to secure until resistance is met. Make sure light emitting side is facing out. Replace all lamps. Black lines on lamp to match up with slots of the socket.  
**Installation Instructions**