

# Features & Specifications

# PLT & LED SHOP LIGHT

**INTENDED USE** – The PLT LED shop light fixture combines a traditional linear design with high-output T8 LEDs to provide an energy-efficient, low maintenance fixture suitable for replacing existing fluorescent strip light fixtures. This medium body light is for interior warehouse, retail, and utility areas requiring general illumination in a commercial quality strip configuration.

**CONSTRUCTION** – Rugged 24 Gauge cold-rolled steel housing with high gloss baked enamel paint for lasting durability. Non-shunted sockets. Wiring knockouts are provided on back and end of housing. End plate doubles as coupler for continuous row mounting.

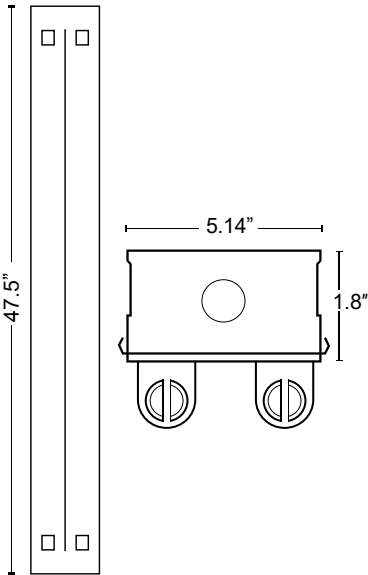
**OPTICS** – Two single-ended, direct wire LED T8 tubes emit 2000 Lumens of output each, for a total of 4000 Lumens maintained at 4000K for 50,000 hours of use. Each lamp uses 20 Watts of power for a combined 40 Watts. 80 CRI

**ELECTRICAL** – Does not include ballast. LED lamps are compatible with line voltage. Input voltage of 100-277 VAC.

**INSTALLATION** – Designed for surface, chain hung, or double stem mounting. See Installation Instruction PDF for more information.

**LISTINGS** – ETL Certified to safety standards for dry locations. IP-40 Rated.

**WARRANTY** – 3-year warranty for shop fixture. 1-year warranty for included LED T8 tubes. PLT products that are damaged or defective will be repaired or replaced at PLT's choosing for a period of 3 years. Contact 1-800-624-4488 for more information



Dimensions

Height: 1.8 in.  
Width: 5.14 in.  
Length: 47.5 in.



Includes 2 LED T8 Lamps



- Replaces T12 and T8 fluorescent lamps, fits into non-shunted lampholders
- Produces a 4000 Kelvin, cool white color temperature
- Turns on instantly with no delay or flickering

SKU #	Kelvin	Lumens	CRI	Wattage	Life Hours	DLC?	Mounting	Voltage	Warranty
PLT-11668	4000	4000	80	40	50000	NO	CHAIN/SURFACE	120	3 YEARS