

Installation requirement

1. Turn power off before installation.
2. In accordance with the National Electrical Code, install an exterior rated junction box atop a securely mounted electrical conduit. The exterior rated junction box should include 1/2" threads for use with the 1/2" threads on the fixture's knuckle mount.
3. Install the fixture's knuckle mount into the exterior rated junction box, and appropriately tighten the fixture into junction box.
4. Make necessary electrical connections in accordance with the National Electrical Code within the junction box. Then secure the exterior rated junction box cover to the junction box.
5. Loosen the set screw, adjust the fixture aiming angle as desired, and then retighten the set screw.
6. Connect power to the fixture.

i Notice

1. Before installing this fixture, please ensure the environment where you intend to install the fixture conforms to the product specifications. Since this fixture provides slight grade corrosion protection, it cannot be used in highly corrosive environments. Contact 1000Bulbs.com if you have special requirements.
2. Do not use this fixture in areas where water accumulates.
3. Do not use this fixture in an enclosed environment.
4. Ensure the operational ambient temperature for this fixture falls within the -40 -131 degree Fahrenheit range.
5. Please confirm the input voltage and frequency conforms to the product specifications.
6. Professional installation and maintenance is required, since dangerous 100-277V connections will be made.
7. Do not install this fixture if it was received with damage to the electrical conductors or

©LED floodlight



User Manual of 2nd Generation Floodlights

Features

1. The very tight waterproof design boasts an IP 65 rating.
2. The die-cast aluminum alloy fixture body combines with a tempered glass cover to create a highly durable floodlight.
3. Highly efficient thermal management draws heat away from the LED's and internal power supply to ensure a long, stable product life which is backed by a 5 year warranty.
4. Boasts a CRI in excess of 80 in support of high color rendering applications.
5. UL Listed and RoHS Compliant.
6. These 2nd Generation Floodlights boast a -40 to 131 degree Fahrenheit ambient operating temperature range while providing slight grade corrosion protection.

Application

These 2nd Generation Floodlights can be used in wide variety of exterior floodlighting applications including building facade and landscape illumination, industrial and sports centers, ports, and parking lots.

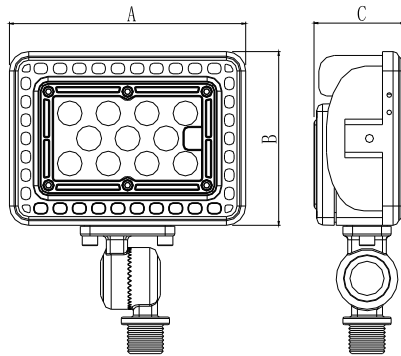


To ensure proper usage of lamps, please carefully read and keep this instruction manual for future reference.

Parameters

Power Parameters	20W	29W	40W	50W	65W	80W
Input Current	0.3A	0.4A	0.5A	0.6A	0.7A	0.9A
Input voltage	AC120-277V					
LED type	2835					
Net weight	0.75kg	1.2kg	1.8kg	1.8kg	2.8kg	2.8kg
Gross weight	0.85kg	1.3kg	2.0kg	2.0kg	3.0kg	3.0kg
Beam angle	110x90°					
CRI	>80					
IP Rating	IP65					
Application Environment	-40~+131°F					
Materials	ADC12+PC					

Dimension (Unit:mm/inch):

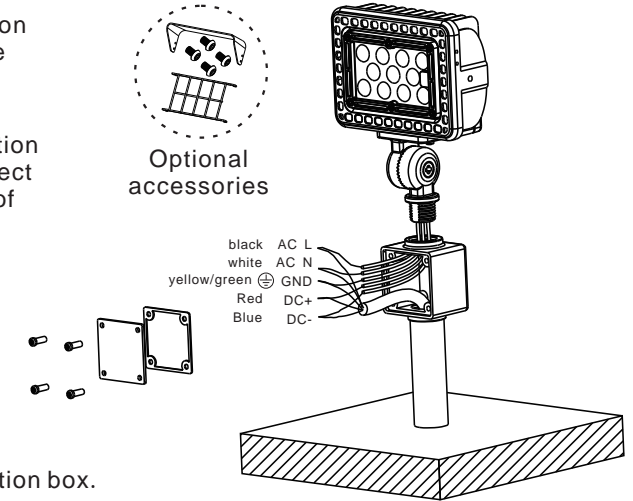


Knuckle Mount

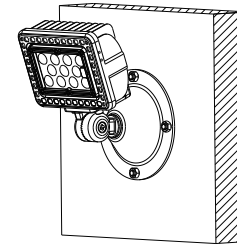
P/N	A	B	C
20W	122.5/4.80"	90/3.54"	47/1.85"
29W	189/7.44"	120/4.73"	53/2.08"
40W/50W	216/8.81"	150/5.91"	62/2.44"
65W/80W	285/11.22"	193/7.60"	65/2.56"

Installation: knuckle mounting

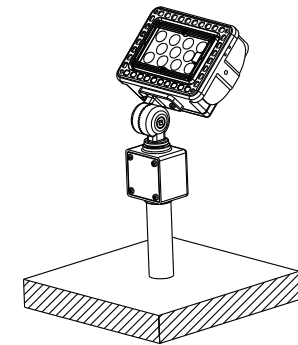
1. Prepare for pole of junction box or wall mounted base with NPT 1/2" thread;
2. Fix the lamp on the junction box with screw and connect wire with AC wire inside of junction box
3. After finishing the wire connection, make sure waterproof performance and return all wires in the junction box;
4. Fix the cover on the junction box.



Sidewall installation



Pedestal installation



Wiring diagram:

