



# LED EM16-3020ew

Part #: EBMR16DM/B/6.5W/500/35D/27K/GU5.3/EW Bulb Class: MR16



## Product Description

By using 87% less energy than standard incandescent bulbs, these durable and dependable LED flood bulbs guarantee a decrease in energy costs year after year. The Euri Lighting EM16-3020ew shines a soft spotlight in Warm White color (2700K). Only requiring 6.5 watts, this LED flood bulb outlasts incandescent bulbs, while still providing superior brightness. With shatter resistance and dimming options, the EM16-3020ew guarantees satisfaction.



**Estimated Energy Cost:** \$0.78 per year

\*Note: Design, features and specifications subject to change without notice. Some features may not be available on all models.

## Specifications

Input Power	Input Voltage	Lumen Output	Beam Angle	Center Beam	CCT
6.5 W	12V	500 lm	35°	N/A	2700 K
CRI	Luminous Efficacy	Power Factor	Input Current	Base/Cap	Lamp Lifespan
80	76 lm/W	0.8	0.54 A	GU5.3	25,000 Hrs.

### Product Features



Dimmable



Instant-On/Off

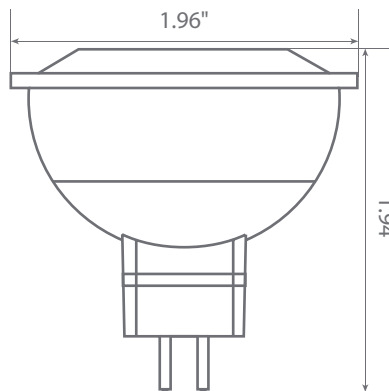


Mercury Free



Damp Rated

### Product Dimensions



### Product Photometric Data



## Recommended Dimmers By Brand

---

### **MAGNETIC**

LUTRON: ABLV-1000M, MALV-1000, NTELV-600, S-600, SLV-600P

LEVITON: 6613-P, VPM10

COOPER: 9539

### **ELECTRONIC**

LUTRON: SELV-300P

LEVITON: 6613-P0W, 6615-P0W