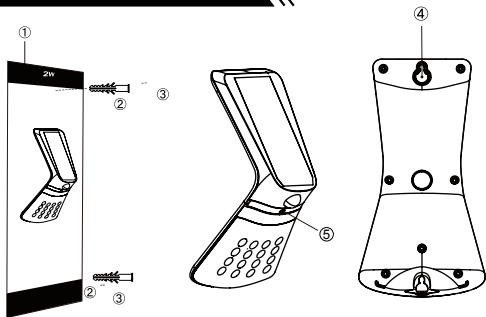


MOUNTING HARDWARE NOT INCLUDED.

## Installation



1. Use the provided placement template to mark the hole positions. Drill the 2 holes with a 06mm drill bit.
2. Place wall anchors into the 2 drilled holes.
3. Insert the screws into the wall anchors ensuring the screw protrudes out from the wall in order to attach the LED Solar Light.
4. Hang the LED Solar light on the screws.
5. Press the front button to turn on the light.

### Notice:

This is an automatic light with an auto-adjusting operation. You only need to press the button once and the lamp will remain on. Allow 6 hours for charging for 4-5 nights of use.

Standby Time: 140 hrs

Please install this light in an area with plenty of direct sunlight. The lighting duration depends on amount of direct sunlight and weather conditions.

This light is equipped with a lithium battery, please do not try and replace it yourself, and be sure to dispose of it properly according to your local law.