

# Installation Instructions

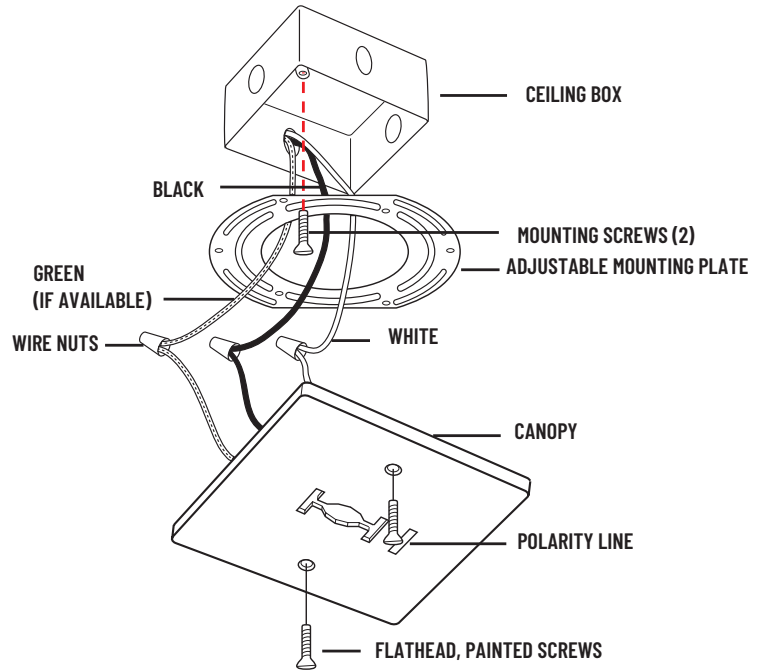
## Monopoint Track Accessory

READ PRIOR TO ATTEMPTING INSTALLATION  
ALWAYS TURN OFF MAIN POWER BEFORE INSTALLATION  
INSTALLATION SHOULD BE CARRIED OUT BY YOUR LOCAL ELECTRICIAN

NT-319 / NT-366

### MONOPOINT CANOPY FOR STANDARD TRACK HEADS

Allows any track head to be mounted as a monopoint fixture.



NT-380

### MONOPOINT CANOPY FOR DOUBLE LOCKING TRACK ADAPTER

Round canopy used to cover junction box and power a track head with double locking adapter.

#### COMPATIBLE TRACK HEADS

Compatible with track heads with double locking adapters:

NTE-854 Jason Square Track Head

NTE-855 Jason Round Track Head

NTE-880 Dipper Track Head

NTH-910 Architectural Cylinder Line Voltage MR16 GU10 Track Head

NTH-920 Architectural Cylinder Line Voltage PAR20 Track Head

NTH-930 Architectural Cylinder Line Voltage PAR30 Track Head

