

MR16 Series

Cree Professional Series LED Lamps

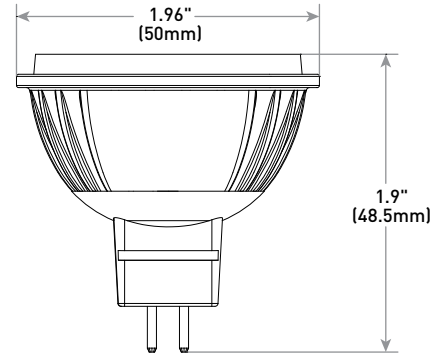
Product Description

The Cree® MR16 Professional Series LED Lamp is a true 50W halogen MR16 equivalent that delivers up to 570 lumens of superior 90 CRI light with high R9 color quality while achieving up to 73 lumens per watt. This MR16 boasts a slim design to allow universal form and fit into most global MR16 fixtures and is available in a variety of beam angles with color temperatures of 2700K and 3000K. The Cree MR16 Professional Series LED lamps' impressive combination of greater than 80% energy savings and significant maintenance savings make it a perfect solution for track and accent lighting.

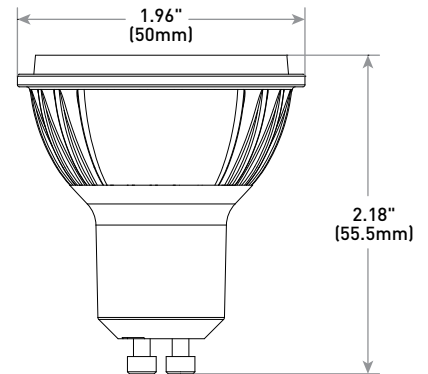
Performance Summary

| |
|--|
| Initial Delivered Lumens: GU5.3: 540 Lumens (75W/15SP), 570 Lumens (75W/25NF, 35FL) GU10: 440 Lumens (50W/35FL), 570 Lumens (75W/35FL) |
| Input Power: GU5.3: 7-7.5 Watts (75W equivalent) GU10: 6 watts (50W equivalent), 6.5 watts (75W equivalent) |
| CRI: >90 |
| CCT: 2700K (GU5.3 only), 3000K |
| Beam Angle: 15° Spot and 25° Narrow Flood (GU5.3 only), 35° Flood |
| CBCP: GU5.3 - 6000 (75W/15SP), 2700 (75W/25NF), 1700 (75W/35FL) GU10 - 1450 (50W/35FL), 1850 (75W/35FL) |
| Limited Warranty*: 5 years Commercial use |
| Lifetime: Designed to last 25,000 hours |
| Dimming: Dimmable to 5% with select dimmers |
| Can be ordered In Single Lamp Cartons (Master Carton Quantity = 24) |
| ENERGY STAR Certified, CEC California Title 20 Compliant |

GU5.3



GU10



Ordering Information

Example: MR16-75W-P1-30K-35FL-GU53-U1

| MR16 | | P1 | | | | U1 |
|-------------|---|--|---|--|--|--|
| Product | Watt Equivalent | Series | CCT | Beam Angle | Base Type | Packaging Options |
| MR16 | 50W 50 Watt, 440 Lumens - GU10 Only 75W 75 Watt, 540 - 570 Lumens | P1 Professional Series 1st Generation | 27K 2700K - Available only with GU5.3 base 30K 3000K | 15SP 15° Spot - GU5.3 Only 25NF 25° Narrow Flood - GU5.3 Only 35FL 35° Flood | GU53 GU5.3 Base, 12V GU10 GU10 Base, 120V | U1 Single-Lamp Carton Master Carton = 24 Single-Lamp Cartons |



MR16™ Pro Series LED Lamp

Product Specifications

CONSTRUCTION & MATERIALS

- Durable die-cast aluminum housing with lens protects LEDs and optical system
- Slim housing design meets ANSI form factor for halogen lamps

OPTICAL SYSTEM

- Optimal designed lens is available in three beam angles of 15° Spot, 25° Narrow Flood and 35° Flood
- Acrylic lens effectively eliminates surface glare and adds a pleasant touch of soft backlight

ELECTRICAL SYSTEM

- **Power Factor:** > 0.9 nominal
- **Input Voltage:** 12Vac (GU5.3), 120Vac (GU10)
- **Dimming:** Dimmable to 5% with select dimmers.

REGULATORY & VOLUNTARY QUALIFICATIONS

- cULus Listed
- Suitable for damp locations; not for use where exposed directly to water
- Suitable for use in enclosed fixtures
- Not intended for DC operations
- Not intended for use with emergency exit fixtures or emergency lights
- ENERGY STAR® Certified
- Meets FCC Part 15, Subpart B, Class B standards for conducted and radiated emissions
- CEC California Title 20 Compliant
- **CA RESIDENTS WARNING:** Cancer and Reproductive Harm – www.p65warnings.ca.gov



| Ordering Number | Single-Lamp Carton UPC | Description | Bulb Type | Watts | CCT | Single-Lamp Cartons per Master Carton | Master Carton ITF-14 | Total Lamps per Master Carton | Master Cartons per Pallet Qty | CRI | Lumens | CBCP | Rated Life (Hrs) |
|------------------------------|------------------------|--|-----------|-------|-------|---------------------------------------|----------------------|-------------------------------|-------------------------------|-----|--------|-------|------------------|
| MR16-75W-P1-27K-35FL-GU53-U1 | 849665026631 | 75W Replacement Soft White 35° Flood MR16 GU5.3 | MR16 | 7.5 | 2700K | 24 | 10849665026638 | 24 | 320 | >90 | 570 | 1,700 | 25,000 |
| MR16-75W-P1-27K-25NF-GU53-U1 | 849665026648 | 75W Replacement Soft White 25° Narrow Flood MR16 GU5.3 | MR16 | 7.5 | 2700K | 24 | 10849665026645 | 24 | 320 | >90 | 570 | 2,700 | 25,000 |
| MR16-75W-P1-27K-15SP-GU53-U1 | 849665026655 | 75W Replacement Soft White 15° Spot MR16 GU5.3 | MR16 | 7 | 2700K | 24 | 10849665026652 | 24 | 320 | >90 | 540 | 6,000 | 25,000 |
| MR16-75W-P1-30K-35FL-GU53-U1 | 849665026662 | 75W Replacement Bright White 35° Flood MR16 GU5.3 | MR16 | 7.5 | 3000K | 24 | 10849665026669 | 24 | 320 | >90 | 570 | 1,700 | 25,000 |
| MR16-75W-P1-30K-25NF-GU53-U1 | 849665026679 | 75W Replacement Bright White 25° Narrow Flood MR16 GU5.3 | MR16 | 7.5 | 3000K | 24 | 10849665026676 | 24 | 320 | >90 | 570 | 2,700 | 25,000 |
| MR16-75W-P1-30K-15SP-GU53-U1 | 849665026686 | 75W Replacement Bright White 15° Spot MR16 GU5.3 | MR16 | 7 | 3000K | 24 | 10849665026683 | 24 | 320 | >90 | 540 | 6,000 | 25,000 |
| MR16-50W-P1-30K-35FL-GU10-U1 | 849665026693 | 50W Replacement Bright White 35° Flood MR16 GU10 | MR16 | 6 | 3000K | 24 | 10849665026690 | 24 | 320 | >90 | 440 | 1,450 | 25,000 |
| MR16-75W-P1-30K-35FL-GU10-U1 | 849665026709 | 75W Replacement Bright White 35° Flood MR16 GU10 | MR16 | 6.5 | 3000K | 24 | 10849665026706 | 24 | 320 | >90 | 570 | 1,850 | 25,000 |