

# PAR30 Series

Cree Professional Series LED Lamps

## Product Description

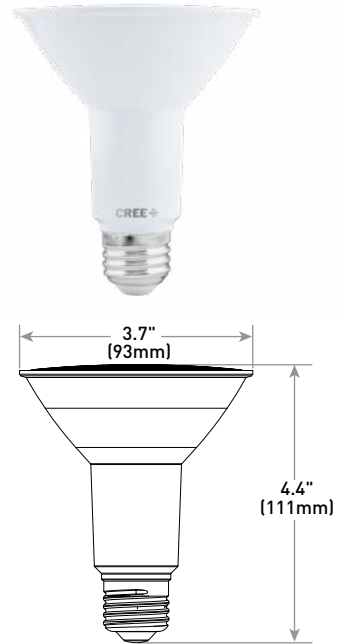
At Cree®, we believe in better lighting. Better light is beautiful light. But it's more than just beautiful. It is light that makes you feel more productive, more relaxed and safer. Better light changes everything. That's why the new and improved 90+ CRI Cree Professional Series LED bulbs feature high color rendering that enhances your space and makes the colors of your decor appear vibrant, richer and more natural –true colors the way they are meant to be experienced.

The Cree Professional Series PAR30 Short Neck and Long Neck LED bulb is a higher lumen solution ideal for use indoors in a track or recessed can, or outdoors in security or landscaping lighting. Delivering up to 1050 lumens of 2700K, 3000K, and 4000K light while using just 12 watts, the Cree PAR30 LED bulb is available in 15°, 25°, 40° beam angles. Commercial grade, these lamps are fully dimmable and designed to last 50,000 hours.

## Performance Summary

- Beam Spreads:** 15° Spot, 25° Narrow Flood, 40° Flood
- Lamp Delivered Light Output:** PAR30S - 2700K : 1000 Lumens, 3000K/4000K : 1050 Lumens  
PAR30L - 2700K/3000K : 1000 Lumens, 4000K : 1050 Lumens
- Input Power:** 12 watts (75W equivalent)
- CRI:** >90
- CCT:** 2700K, 3000K, 4000K (40° Flood Only)
- Limited Warranty:** 5 years Commercial use
- Lifetime:** Designed to last at least 50,000 hours
- Dimming:** Dimmable to 5% with select dimmers
- ENERGY STAR® Certified (May 2019), CEC California Title 20 Compliant
- Can be ordered in Single Lamp Cartons (Master Carton Quantity = 12)

### Long Neck



### Short Neck



## Ordering Information

Example: PAR30L-75W-P1-27K-40FL-E26-U1

	75	P1				E26		U1
Product	Watt Equivalent	Series	CCT	Beam Spread	Voltage	Base	CRI	Packaging Options
PAR30L Long Neck PAR30S Short Neck	<b>75W</b> 75 Watt, 1,000-1,050 Lumens CBCP = 15°: 12,000 - 13,000 Candelas 25°: 4,900 Candelas 40°: 2,100 - 2,500 Candelas	<b>P1</b> Professional Series 1 <sup>st</sup> Generation	<b>27K</b> 2700K <b>30K</b> 3000K <b>40K</b> 4000K (40° Flood Only)	<b>15SP</b> 15° Spot <b>25NF</b> 25° Narrow Flood <b>40FL</b> 40° Flood	<b>Blank</b> 120 Volt	<b>E26</b> Edison Base	<b>Blank</b> >90 CRI	<b>U1</b> Single-Lamp Carton Master Carton = 12 Single-Lamp Cartons

Rev. Date: V2 05/09/2019



## PAR30 Pro Series LED Lamps

### Product Specifications

#### CONSTRUCTION & MATERIALS

- PAR30L-type bulb design weighs 4.6 ounces (132g)
- PAR30S-type bulb design weighs 5.0 ounces (141g)
- E26 Medium standard screw type base
- Bulb meets ANSI standards for PAR30 dimensions
- Mercury free
- **Dimensions:** PAR30L - 4.7" H x 3.7" W x 3.7" D (Single Lamp Carton); 9.5" H x 11.6" W x 7.8" D (Master Carton); PAR30S - 3.6" H x 3.6" W x 3.6" D (Single Lamp Carton); 7.3" H x 11.6" W x 7.8" D (Master Carton)

#### ELECTRICAL SYSTEM

- **PowerFactor :** > 0.9 nominal
- **Input Voltage:** 120V, 60Hz
- **Dimming:** Dimmable to 5% with select dimmers.
- **Operating Temperature Range:** -25°C - +45°C (-13°F - +113°F)

#### REGULATORY & VOLUNTARY QUALIFICATIONS

- cULus Listed
- Suitable for damp locations, but not for use where exposed directly to weather or water.
- Suitable for use in enclosed light fixtures. Lifetime may be reduced if used in air tight enclosures or in insulated ceiling air tight (ICAT) recessed downlight enclosures
- Meets FCC Part 15, Subpart B, Class B standards for conducted and radiated emissions
- ENERGY STAR® Certified: Expected May 2019
- RoHS compliant. Consult factory for additional details
- CEC California Title 20 Compliant
- **CA RESIDENTS WARNING:** Cancer and Reproductive Harm - [www.p65warnings.ca.gov](http://www.p65warnings.ca.gov)

Ordering Number	Single-Lamp Carton UPC	Description	Bulb Type	Watts	CCT	Single-Lamp Cartons per Master Carton	Master Carton ITF-14	Total Lamps per Master Carton	Master Cartons per Pallet Qty	CRI	Lumens	CBCP	Rated Life (Hrs)
PAR30L-75W-P1-27K-40FL-E26-U1	849665026426	75W Soft White, 40° Flood, PAR30L Equivalent	PAR30L	12	2700K	12	10849665026423	12	96	>90	1,000	2,100	50,000
PAR30L-75W-P1-27K-25NF-E26-U1	849665026433	75W Soft White, 25° Narrow Flood, PAR30L Equivalent	PAR30L	12	2700K	12	10849665026430	12	96	>90	1,000	4,900	50,000
PAR30L-75W-P1-27K-15SP-E26-U1	849665026440	75W Soft White, 15° Spot, PAR30L Equivalent	PAR30L	12	2700K	12	10849665026447	12	96	>90	1,000	12,000	50,000
PAR30L-75W-P1-30K-40FL-E26-U1	849665026457	75W Bright White, 40° Flood, PAR30L Equivalent	PAR30L	12	3000K	12	10849665026454	12	96	>90	1,050	2,400	50,000
PAR30L-75W-P1-30K-25NF-E26-U1	849665026464	75W Bright White, 25° Narrow Flood, PAR30L Equivalent	PAR30L	12	3000K	12	10849665026461	12	96	>90	1,050	4,900	50,000
PAR30L-75W-P1-30K-15SP-E26-U1	849665026471	75W Bright White, 15° Spot, PAR30L Equivalent	PAR30L	12	3000K	12	10849665026478	12	96	>90	1,050	13,000	50,000
PAR30L-75W-P1-40K-40FL-E26-U1	849665026488	75W Daylight, 40° Flood, PAR30L Equivalent	PAR30L	12	4000K	12	10849665026485	12	96	>90	1,050	2,500	50,000
PAR30S-75W-P1-27K-40FL-E26-U1	849665026495	75W Soft White, 40° Flood, PAR30S Equivalent	PAR30S	12	2700K	12	10849665026492	12	120	>90	1,000	2,100	50,000
PAR30S-75W-P1-27K-25NF-E26-U1	849665026501	75W Soft White, 25° Narrow Flood, PAR30S Equivalent	PAR30S	12	2700K	12	10849665026508	12	120	>90	1,000	4,900	50,000
PAR30S-75W-P1-27K-15SP-E26-U1	849665026518	75W Soft White, 15° Spot, PAR30S Equivalent	PAR30S	12	2700K	12	10849665026515	12	120	>90	1,000	12,000	50,000
PAR30S-75W-P1-30K-40FL-E26-U1	849665026525	75W Bright White, 25° Narrow Flood, PAR30S Equivalent	PAR30S	12	3000K	12	10849665026522	12	120	>90	1,000	2,400	50,000
PAR30S-75W-P1-30K-25NF-E26-U1	849665026532	75W Bright White, 25° Narrow Flood, PAR30S Equivalent	PAR30S	12	3000K	12	10849665026539	12	120	>90	1,000	4,900	50,000
PAR30S-75W-P1-30K-15SP-E26-U1	849665026549	75W Bright White, 15° Spot, PAR30S Equivalent	PAR30S	12	3000K	12	10849665026546	12	120	>90	1,000	13,000	50,000
PAR30S-75W-P1-40K-40FL-E26-U1	849665026556	75W Daylight, 40° Flood, PAR30S Equivalent	PAR30S	12	4000K	12	10849665026553	12	120	>90	1,050	2,500	50,000