

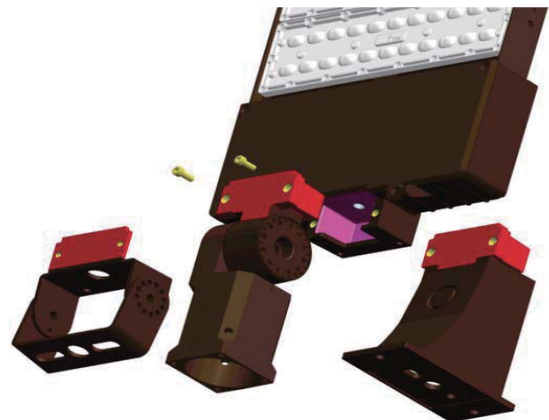
## LED Area Lights



PLT Series of Area Light are high performance LED Fixtures ranging from 80W-300W, and ideal for multiple outdoor application, such as parking lots, plazas, campuses, car dealer shops, and streetscapes.

### Product Features

- Light Source: LUMILED 3030 chips, IP protected
- Power Supply: Sosen for 80W, 150W; Meanwell for 220W, 300W
- Light Distribution: Type III (130LPW), Type V (135LPW)
- Operating Voltage: 120-277VAC & 200-480VAC (150W-300W)
- Quality Verification: IK10, 3G Vibration, Salt Spray tested
- IP65 Rated, 100% test for each production batch
- UL FCC ROHS Compliant
- 5 Years Warranty



Slide-in Mount Design

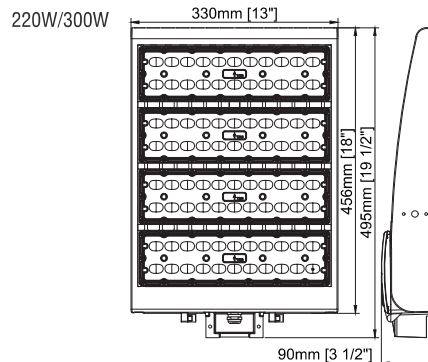
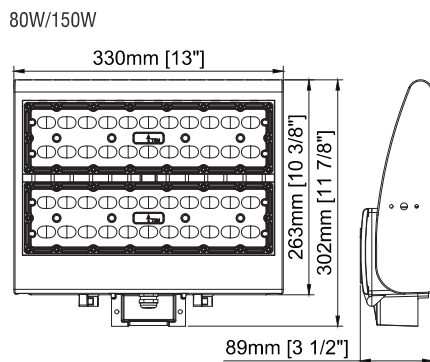
## Performance Summary

Model	CCT	Lumen (lm)	Efficiency (lm/w)	Wattage	Voltage	Life Hrs
PLTB933X11R1	4000K	10,400	130	80W	120-277V	70,000
PLTB933X21R1	4000K	10,800	130	80W	120-277V	70,000
PLTB935X11R1	5000K	10,400	130	80W	120-277V	70,000
PLTB935X21R1	5000K	10,800	135	80W	120-277V	70,000
PLTB953X11R1	4000K	19,500	130	150W	120-277V	70,000
PLTB953X21R1	4000K	20,250	135	150W	120-277V	70,000
PLTB955X11R1	5000K	19,500	130	150W	120-277V	70,000
PLTB955X21R1	5000K	20,250	130	150W	120-277V	70,000
PLTB9A3X11R2	4000K	28,600	130	220W	120-277V	70,000
PLTB9A3X21R2	4000K	29,700	130	220W	120-277V	70,000
PLTB9A5X11R2	5000K	28,600	130	220W	120-277V	70,000
PLTB9A5X21R2	5000K	29,700	130	220W	120-277V	70,000
PLTB973X11R2	4000K	39,000	130	300W	120-277V	70,000
PLTB973X21R2	4000K	40,500	135	300W	120-277V	70,000
PLTB975X11R2	5000K	39,000	130	300W	120-277V	70,000
PLTB975X21R2	5000K	40,500	135	300W	120-277V	70,000
PLTB955X12R3	5000K	19,500	130	150W	200-480V	70,000
PLTB955X22R3	5000K	20,250	135	150W	200-480V	70,000
PLTB9A5X12R3	5000K	28,600	130	220W	200-480V	70,000
PLTB9A5X22R3	5000K	29,700	130	220W	200-480V	70,000
PLTB975X12R3	5000K	39,000	130	300W	200-480V	70,000
PLTB975X22R3	5000K	40,500	135	300W	200-480V	70,000

<b>Working Temp</b>	-40°F--+104°F
<b>Finish Color</b>	Dark Bronze
<b>Certification</b>	FCC/UL

<b>IP Rating</b>	IP-65
<b>Warranty</b>	5 Years

## Product Dimension



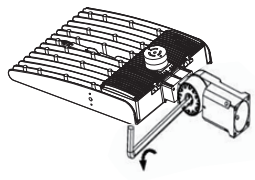
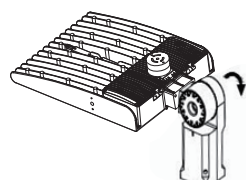
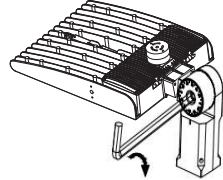
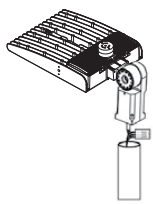
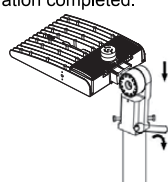
**IMPORTANT:** READ BEFORE REMOVING FIXTURE FROM CARTON. RETIAN THE MANUAL FOR FUTURE REFERENCE.

**SAFETY:** This fixture must wired in accordance with the national electrical code and applicable local codes and ordinance. proper grounding is required to insure personal safety. Carefully observe grounding procedure under installation section. All work should be done by a qualified electrician.

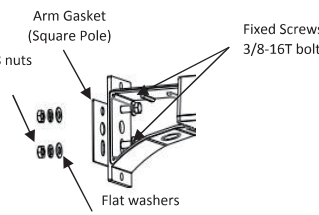
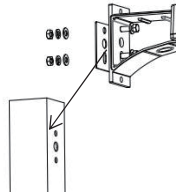
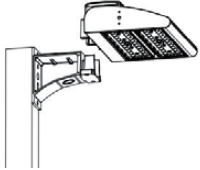
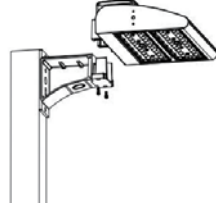
- > Risk of electric shock-Disconnect power at fuse or circuit breaker before installing or servicing.
- > Risk of burn-Disconnect power and allow fixture to cool before servicing.
- > Risk of personal injury-Fixture may become damaged and/or unstable if not installed properly.
- > Tighten all fixture components to their recommended torque values.

**WARNING:** Make certain power is OFF before starting installation or attempting any maintenance.  
Contact manufacturer with any questions or concerns regarding installation of this luminaire.

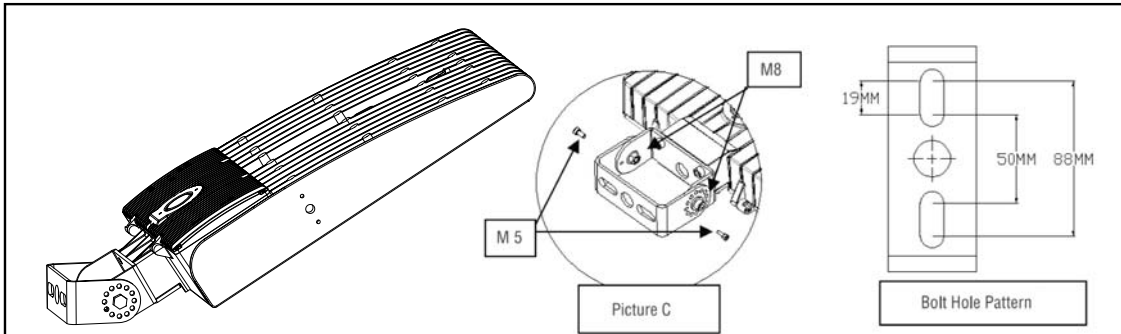
**Adjustable Slip Fitter-Suitable for max. tenon size 1 3/8"**

<p>1. Unscrew and remove the plug by Hex-wrench.</p> 	<p>2. Swivel the mount into the right angle.</p> 	<p>3. Screw the plug by Hex-wrench and fasten it.</p> 
<p>4. Connect the L/N/GND wires.</p> 	<p>4. Connect the mount with the light pole, and screw down by Hex-wrench. Installation completed.</p> 	

**Round Pole Mount-Suitable for 4" to 6" pole and Straight Pole Mount-Suitable for 3" x3" or larger pole**

<p>1. Loosen the (2) Fixed Screws (3/8-16T bolt with flat washers) from the mounting.</p>  <p>Labels: Arm Gasket (Square Pole), Fixed Screws 3/8-16T bolt, 3/8 nuts, Flat washers</p>	<p>2. Align the (2) Fixed Screw holes from the mounting to the pole, tighten the Fixed Screws.</p> 
<p>3. Slide fixture in the Round/Straight pole mount. Connect the L/N/G wires through the wire hole.</p> 	<p>4. Tighten (2) Fixed Screws of mounting arm.</p> 

## Trunion Installation



The diagram for Trunion Installation includes three parts: a perspective view of the fixture with a trunion attached, a circular inset labeled 'Picture C' showing the trunion being secured with M8 bolts and M5 screws, and a 'Bolt Hole Pattern' diagram showing a 19MM hole offset from the top edge, with a 50MM distance between the hole and the center of the fixture, and an 88MM total width.

**Step 1:** Mount the fixture to suitable flat surface with adequate hardware for that surface;

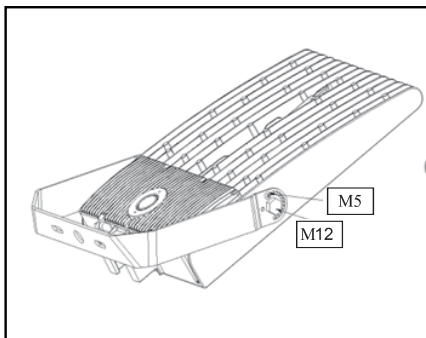
**Step 2:** Hold top of fixture, loosen (2) M8 Trunion Bolts and (2) M5 Positioning Screws;

**Step 3:** Adjust the U Trunion to suitable position;

**Step 4:** Swivel the fixture until Positioning Screws are in one of the Positioning Holes;

**Step 5:** Tighten the (2) M8 Trunion Bolts and (2) M5 Positioning Screws (see picture C).

## York Bracket Installation



The diagram for York Bracket Installation shows a perspective view of the fixture with a York bracket attached. Labels indicate M5 screws and M12 screws.

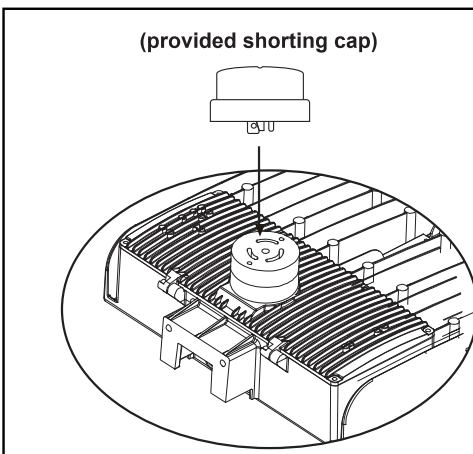
**Step 1:** Loosen the (2)M12 and (4)M5 screws;

**Step 2:** Adjust the fixture to required angle, and tighten (2) M5 positioning screws on one side;

**Step 3:** Tighten the (2) M12 and the (2) M5 screws on the other side;

**Step 4:** Connect the L/N/GND wires.

**(provided shorting cap)**



The diagram shows a provided shorting cap being placed over a receptacle on the fixture. The cap has a '3' on it, indicating it is a 3-pin photocell.

**Remarks:**

PLT AREA LIGHT UNITS come with receptacles installed on the the fixture, end-users can either twist in a 3pin photocell, or the provided shorting cap.