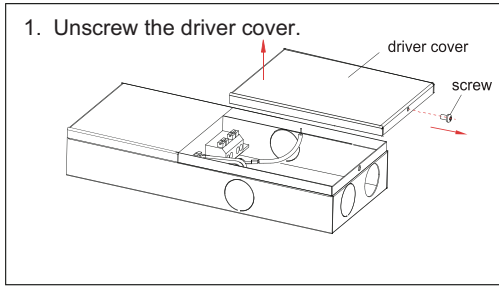
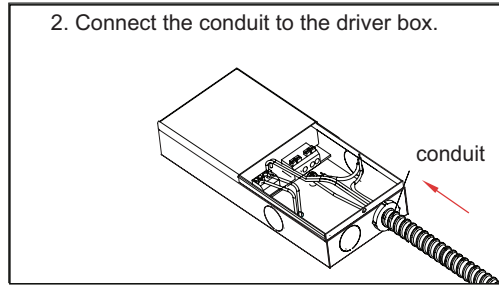


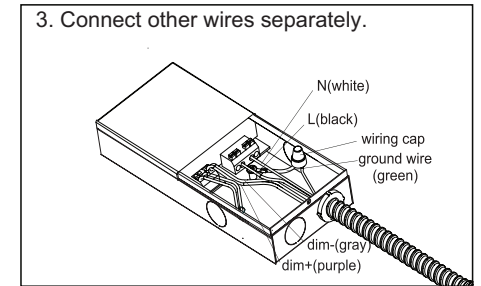
Installation Instructions

Switchable CCT Driver Installation

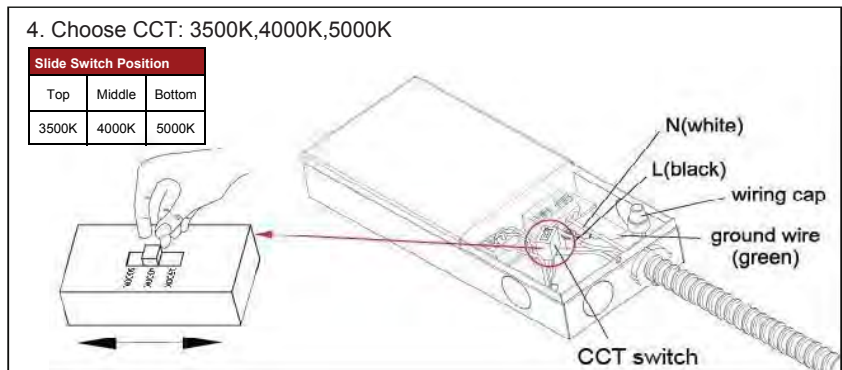
1. Unscrew the driver cover.

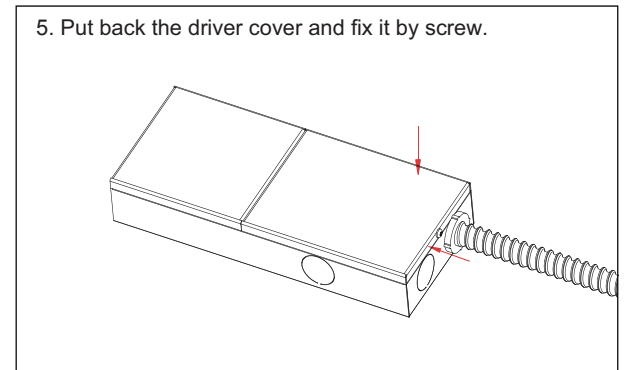

2. Connect the conduit to the driver box.


3. Connect other wires separately.


4. Choose CCT: 3500K, 4000K, 5000K

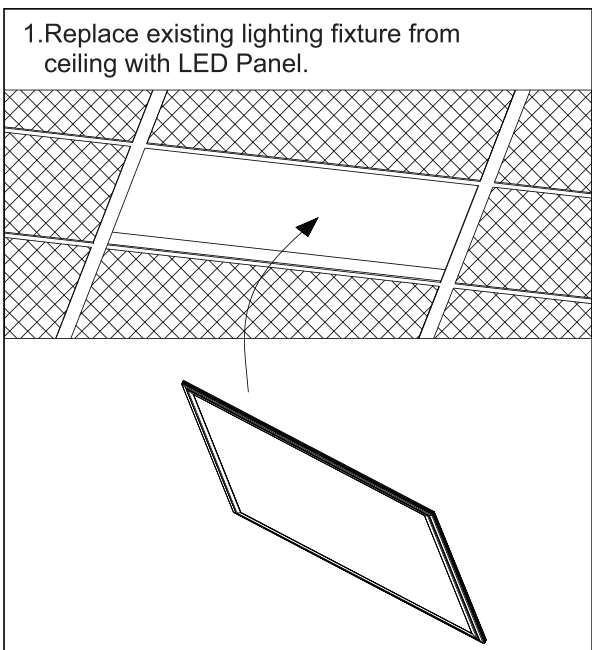
Slide Switch Position		
Top	Middle	Bottom
3500K	4000K	5000K

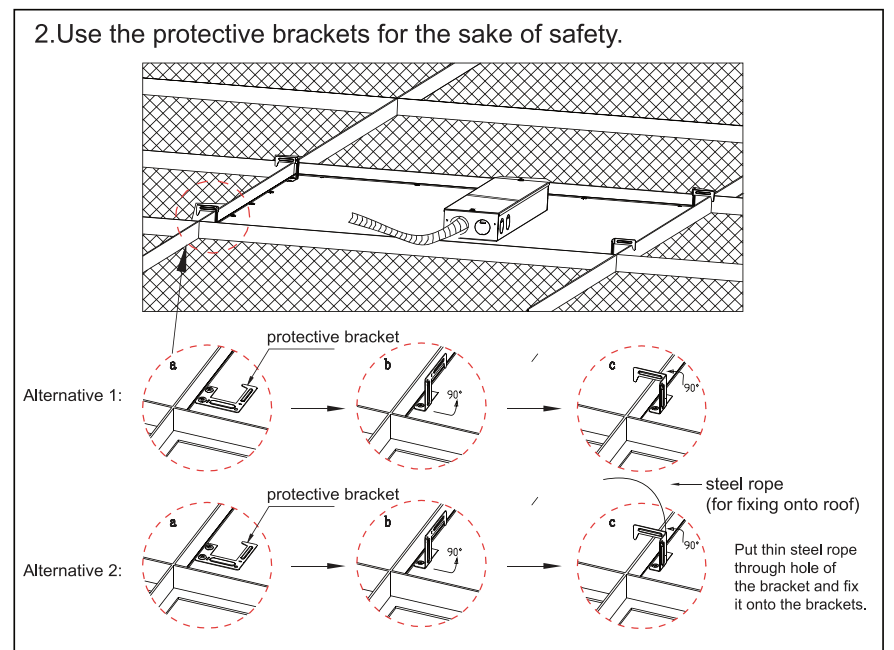

5. Put back the driver cover and fix it by screw.



Recessed Installation

1. Replace existing lighting fixture from ceiling with LED Panel.


2. Use the protective brackets for the sake of safety.



Alternative 1:

Alternative 2:

Put thin steel rope through hole of the bracket and fix it onto the brackets.