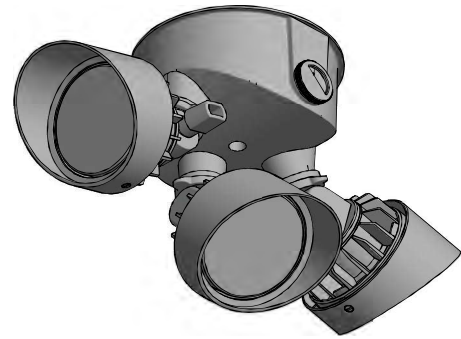


LED Security Floodlight



Model Number(s):
OLF 2SH 40K 120
OLF 2SH 40K 120 PE*



Model Number(s):
OLF 3RH 40K 120
OLF 3RH 40K 120 PE*



Model Number(s):
OLF 2RH 40K 120
OLF 2RH 40K 120 PE*

* PE denotes photocell option

Suitable for wall mount or eave mount.
Not suitable for ground mount installation.

Mounting Hardware Included
Silicone Sealant Required

Protect yourself. Before installing, read the entire instructions carefully and save them for future reference.

Date installed: _____

Failure to follow any of these instructions could void product warranties. For a complete list of product Terms and Conditions, visit www.1000Bulbs.com. 1000Bulbs.com assumes no responsibilities for claims arising out of improper or careless installation or handling of its products.

READ AND FOLLOW THESE SAFETY INSTRUCTIONS!

- To reduce the risk of death, personal injury or property damage from fire, electric shock, falling parts, cuts/abrasions, and other hazards please read all warnings and instructions included with and on the fixture box and all fixture labels.
- Before installing, servicing, or performing routine maintenance upon this equipment, follow these general precautions.
- Commercial installation, service and maintenance of luminaires should be performed by a qualified licensed electrician.
- For Residential installation: If you are unsure about the installation or maintenance of the luminaires, consult a qualified licensed electrician and check your local electrical code.
- Maintenance of the luminaires should be performed by person(s) familiar with the luminaires' construction and operation and any hazards involved. Regular fixture maintenance programs are recommended.
- This fixture is intended to be connected to a properly installed and grounded UL listed junction box.
- It will occasionally be necessary to clean the outside of the refractor/lens. Refractor/lens should be washed in a solution of warm water and any mild, non-abrasive household detergent, rinsed with clean water and wiped dry. Should optical assembly become dirty on the inside, wipe refractor/lens and clean in above manner, replacing damaged gaskets as necessary.
- DO NOT INSTALL DAMAGED PRODUCT! This luminaire has been properly packed so that no parts should have been damaged during transit. Inspect to confirm. Any part damaged or broken during or after assembly should be replaced.
- Recycle: For information on how to recycle LED electronic products, please visit www.epa.gov.
- These instructions do not purport to cover all details or variations in equipment nor to provide every possible contingency to meet in connection with installation, operation, or maintenance. Should further information be desired or should particular problems arise which are not covered sufficiently for the purchaser's or owner's purposes, this matter should be referred to Acuity Brands Lighting, Inc.

 **WARNING
RISK OF ELECTRIC SHOCK**

- ▶ Disconnect or turn off power before installation or servicing.
- ▶ Verify that supply voltage is correct by comparing it with the luminaire label information.
- ▶ Make all electrical and grounded connections in accordance with the National Electrical Code (NEC) and any applicable local code requirements.
- ▶ All wiring connections should be capped with UL approved wire connectors.

 **CAUTION
RISK OF INJURY**

- ▶ Wear gloves and safety glasses at all times when removing luminaire from carton, installing, servicing or performing maintenance.
- ▶ Avoid direct eye exposure to the light source while it is on.

 **WARNING
RISK OF BURN**

- ▶ Allow lamp/fixture to cool before handling. Do not touch enclosure, lens or light source.
- ▶ Do not exceed maximum wattage marked on luminaire label.
- ▶ Follow all manufacturer's warnings, recommendations and restrictions including but not limited to: driver type, burning position, mounting locations/methods, replacement and recycling.
- ▶ Use only lamps that comply with ANSI standards.

 **CAUTION
RISK OF FIRE**

- ▶ Keep combustible and other materials that can burn, away from lamp/lens.
- ▶ Do not operate in close proximity to persons, combustible materials or substances affected by heat.

 **CAUTION
RISK OF PRODUCT DAMAGE**

- ▶ Never connect components under load.
- ▶ Do not mount or support these fixtures in a manner that can cut the outer jacket or damage wire insulation.
- ▶ Unless individual product specifications deem otherwise: Never connect an LED product directly to a dimmer packs, occupancy sensor, timing device, or other related control devices. LED fixtures must be powered directly off a switched circuit.
- ▶ Unless individual product specifications deem otherwise: Do not restrict fixture ventilation. Allow for some volume of airspace around the fixture. Avoid covering LED fixtures with insulation, foam, or other material that will prevent convection or cooling.
- ▶ Unless individual product specifications deem otherwise: Do not exceed fixtures maximum ambient temperature.
- ▶ Only use fixture in its intended location.
- ▶ LED products are Polarity Sensitive. Ensure proper Polarity before installation.
- ▶ Electrostatic Discharge (ESD): ESD can damage LED fixtures. Personal grounding equipment must be worn during all installation or servicing of unit.
- ▶ Do not touch individual electrical components as this can cause ESD, shorten lamp life, or alter performance.
- ▶ Some components inside the fixture may not be serviceable. In the unlikely event your unit may require service, stop using the unit immediately and contact an ABL representative for assistance.
- ▶ Changes or modifications not expressly approved by Acuity Brands Lighting could void the authority to operate the equipment.
- ▶ Always read the fixtures complete installation instructions prior to installation for any additional fixture specific warnings.

This equipment has been tested and found to comply with the limits for a class B digital device, pursuant to part 15 of the FCC Rules. These limits are designed to provide reasonable protection against harmful interference when used in a residential installation. This equipment generates, uses and can radiate radio frequency energy and, if not installed and used in accordance with the instructions may cause harmful interference to radio communications. However, there is no guarantee that interference will not occur in a particular installation. If this equipment does cause harmful interference to radio or television reception, which can be determined by turning the equipment off and on, the user is encouraged to try to correct the interference by one or more of the following measures:

- Reorient or relocate the receiving antenna.
- Increase the separation between the equipment and receiver.
- Connect the equipment into an outlet on a circuit different from that to which the receiver is connected.
- Consult the dealer or an experienced radio/TV technician for help.

5-YEAR LIMITED WARRANTY

Failure to follow any of these instructions could void product warranties. For a complete listing of product Terms and Conditions, please visit www.1000Bulbs.com. 1000Bulbs.com assumes no responsibilities for claims arising out of improper or careless installation or handling of its products.

FIXTURE PACKING LIST

<u>Description</u>	<u>Quantity</u>
1) LED Light Fixture.....	1
2) Photocontrol with adjustable cover (PE model only).....	1
3) 1-1/4"(2H) & 2"(3H) Mounting Screw	1
4) Cross Bar	1
5) 3/4" #8 & #6 & #10 screws*	6
6) Wire Nuts*	3
7) Rubber Plug*	1
8) Lock Nut	2 or 3 or 4
9) Adjustment Knob	2 or 3
10) Visor (Round Head only)	2 or 3
11) Set Screw (Round Head only)	4 or 6
12) Support Hook*	1

*Contained in parts packs

Mounting Hardware Included
Silicone Sealant Required

REQUIRED TOOLS:



1. Remove fixture components and parts pack. Check to ensure all parts are included. **Note:** Account for small parts and destroy packing material, as these may be hazardous to children.

2. Turn OFF Power at circuit breaker box.

CAUTION: Do not rely on wall switch alone to turn off power.

Note: Suitable for wall mount or eave mount.

Not suitable for ground mount installation.

3. Install cross bar (4) to your junction box using two 3/4" #6 or #8 or #10 screws (5) (screw size is depending on your junction box).

4. Hang one end of the support hook (12) onto the cross bar and hang the light fixture on the other end of the support hook to temporarily support fixture for wiring. See Fig.B

CAUTION: WIRING AND FIXTURE OPERATION

Make sure power is turned off. Connect to 120V, 60Hz circuit only.

5. To Ground fixture use wire nut (6) to connect the (copper) house supply ground wire & the green fixture ground wire. **Note:** If house wiring does not include a ground wire, consult your local electrical code for approved grounding methods.

For proper connection, place wire nut over wires and twist clockwise until tight.

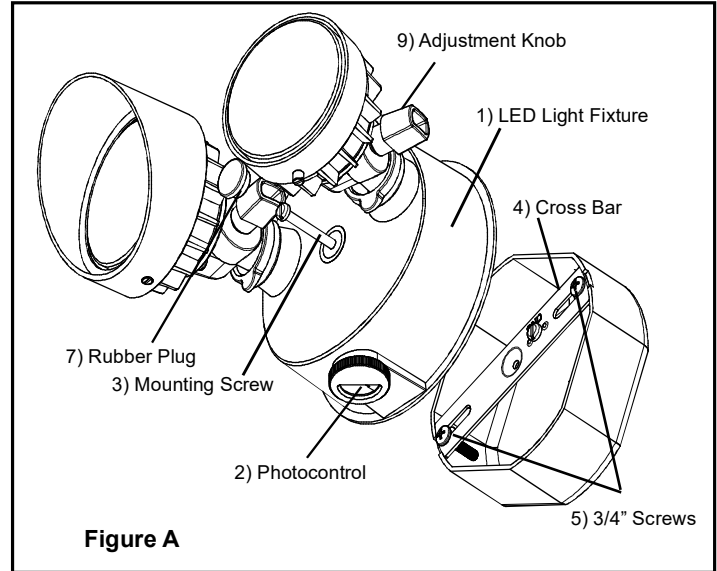
6. To Connect supply wires use wire nut (6) to connect the black fixture wire to the black power supply wire and the white fixture wire to the white (neutral) supply wire.

7. To Install fixture insert mounting screw (3) into center hole of fixture housing. Align fixture over j-box and secure to cross bar by tightening mounting screw. Cover center hole in fixture housing with rubber plug (7). See Fig A. **Note:** make sure no wires are pinched before tightening.

8. Aim lamp heads and install optional visor (round heads)

Each lamphead can be positioned in multiple directions via the adjustment knob (9) and the lock nut (8). **Note:** Make sure to secure all lock nuts and adjustment knobs tightly (do not overtighten) after final adjustments are made to avoid water entry.

CAUTION - Risk of Shock: Aim lamp heads at least

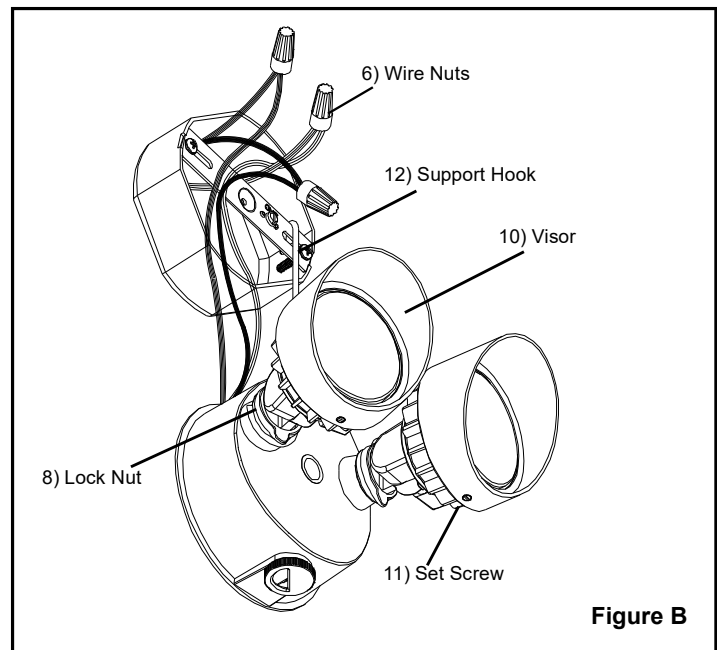


20° down below horizontal in order to prevent water from accumulating inside lens.

After lamp heads are positioned as desired, align the optional visor (10) over the front of the round lamp head and secure by tightening the set screws (11) on the visor.

9. Turn on electricity at fuse or circuit breaker box and verify success of installation. **Note:** on models with photocell, adjust photocontrol cover so that the window is fully open. See Trouble shooting guide for more info.

10. Apply silicone caulking (not included) around the perimeter of the fixture back where it contacts the mounting surface for moisture seal.

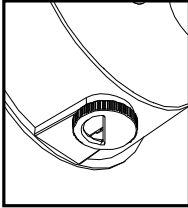


Trouble Shooting Guide

If this fixture fails to operate properly, use the guide below to diagnose and correct the problem.

- Verify that power is turned on at switch and breaker
- Verify that fixture is wired properly
- Verify that line voltage is correct (120V)

The photocontrol in the “PE” models is designed to turn on the fixture light at low light levels (Dusk to Dawn) and has a rotatable cover to allow adjustment of light entry.



Test if Photocontrol works properly:

If light does not come on or stays on:

- Close Photocontrol cover - Light should come on.
- Open Photocontrol cover and shine a flashlight into Photocontrol - Light should go off

If fixture cycles on and off:

Light reflecting back off any surrounding surfaces, or from other light sources enters the photocontrol. To correct problem, eliminate reflective surfaces, turn the Photocontrol cover to reduce the opening or reposition the fixture.

If Photocontrol cover is in closed position, it will allow continuous operation of fixture during daylight.

This LED light provides low maintenance service with no bulbs to change. Clean surfaces with mild soap and water. Do not use abrasive materials such as scouring pads or powders, steel wool or abrasive paper.

WARNING:

There are no user serviceable parts inside fixture.