

The LED-RX Emergency Light is suitable for Wet Location areas. It features energy-efficient LED lighting and comes standard with remote capability.

FEATURES

- Fully-adjustable, high-intensity led heads - 1.9W per head
- UL Rated for Wet Locations (-20°C - 50°C)
- UL 94 5VA flame retardant polycarbonate housing with fully gasketed and sealed, hinged cover
- Remote capable up to 3.7W in temperatures ranging from 0°C - 50°C (32°F - 122°F), powers up to (2) MLED LED remote heads
- Charge rate/power "ON" LED indicator light with test button
- Metalized reflector for enhanced light output
- Maintenance-free NiCad battery
- UL listed 90 minute emergency run time, 24 hour recharge time
- 120/277V dual primary, 60Hz input
- Standard finishes: Black or Gray

WARRANTY

Any component that fails due to a manufacturing defect is guaranteed for five (5) years with a separate five (5) year pro-rated warranty on the battery. The warranty does not cover physical damage, abuse or instances of uncontrollable natural forces. See the full Exitronix warranty document for detailed information.

Model: _____ Date: _____
 Accessories: _____
 Job Name: _____ Type: _____



ORDERING INFORMATION Example: LED-RX-2-BL

Series	# of Lamps	Finish	Accessories ¹ (Field Installed)
LED-RX	2 = 2 Lamp Heads	(Blank) = Gray BL = Black	PS = Poly Guard (Back Mount)

Notes

¹ Order as separate line item

CONSTRUCTION

Constructed of impact-resistant, UV-stabilized, corrosive-resistant, ABS plastic. One (1) piece molded gasket provides protection for use in wet and non-hazardous dust locations.

ILLUMINATION

Illumination is accomplished utilizing high-intensity, long-life LEDs and consumes only one (1) Watt nominal power per head. LEDs provide excellent illumination while maximizing energy efficiency. LEDs are a maintenance-free solution, providing up to 100,000 hours of use without failure.

ELECTRICAL

Input

Dual-voltage input 120 or 277VAC @ 60Hz.

Sealed Nickel Cadmium Battery – NiCad (With Battery Only)

Exitronix sealed nickel cadmium batteries are maintenance-free with a life expectancy of 15 years. Nickel cadmium batteries offer high discharge rates and continue to perform in a vast temperature range from -20°C - 50°C (-4°F - 122°F). NiCad technology provides long-lasting, safe and reliable performance by utilizing the jelly-roll design and allows a NiCad cell to deliver a much higher maximum current than an equivalent size alternative battery. As a relatively larger area of the electrode is in contact with the active material in each cell, the internal resistance for an equivalent sized NiCad cell is lower which increases the maximum current that can be delivered.

Emergency

The LED-RX Series exit will operate for a minimum of 90 minutes during a loss of power with a 24 hour maximum recharge time for the battery.

Brownout Circuit

The brownout circuit monitors the flow of AC current to the unit and triggers the emergency lighting system once a set reduction of AC power occurs. This dip in the voltage will cause many fixtures to extinguish causing loss of normal lighting even though a total power failure has not occurred.

Low Voltage Disconnect

When the battery's terminal voltage falls below predetermined levels, the low-voltage circuit disconnects the emergency lighting load. The disconnect remains in effect until normal power is restored, preventing deep battery discharge and improving the life of the battery. The disconnect will also automatically reconnect the load circuit once the battery voltage returns to a normal value after charging.

Solid-State Transfer

The unit features a solid-state switching transistor which eliminates damaged contacts or mechanical failures associated with relays. The switching circuit is designed to detect a loss of AC power and automatically energizes the lamps. Upon restoration of the AC voltage, the emergency lamps will switch off and the charger will automatically recharge the battery.

Overload and Short-Circuit Protection

The solid-state overload monitoring system in the DC circuit disconnects the lamp load from the battery should excessive wattage demands be made and automatically resets when the overload or short-circuit is removed. This overload current protective characteristic eliminates the need for fuses or circuit breakers for the DC load.

Test Button

Our easily located test button allows for manual verification of proper operation of the transfer circuit and emergency lamps.

INSTALLATION

This emergency unit can be surface mounted utilizing a universal j-box mounting pattern and gasket provided.

Wet Location Rated

Wet Location Rated fixtures can be used in applications where moderate contact with water can be expected. Wet Location Rated products are designed to be reasonably watertight; they require a seal around the base, canopy, or bracket to protect the electrical service from moisture.

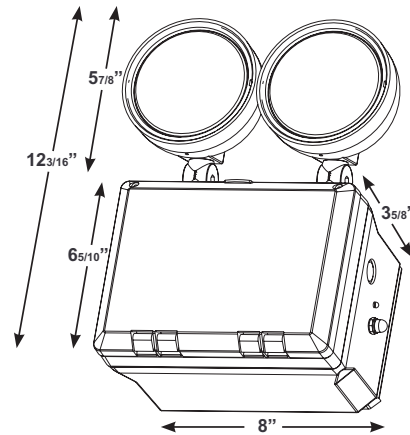
Remote Capable

The LED-RX provides an additional wattage of remote power, operates up to two (2) MLED LED remote heads in temperatures ranging from 0°C - 50°C (32°F - 122°F).

CONFORMANCE TO CODES & STANDARDS

The LEDRX Series is UL Listed and meets or exceeds the following: UL 924, NEC requirements and NFPA 101.

DIMENSIONS



REMOTE LAMPS (Order Separately)

FEATURES

- Compatible with CLED, VLED, LED-RX, VEX-RC or LED-90 exits only
- Each 1.5W lamp head contains 12 long-lasting, efficient, ultra-bright white LEDs in a high-performance reflector with glass lens (outdoor) or plastic lens (indoor)



Single Lamp with
Weatherproof (WP) Option



Double Lamp with
No Options

REMOTE ORDERING INFORMATION

Example: MLED1-W

Series ¹	Finish	Options
MLED1 = Single Remote Lamp	B = Black	WP ² = Weatherproof Applications
MLED2 = Double Remote Lamp	G = Gray	
	W = White	

Notes

¹ Order remote lamps as separate line item

² WP option available in Black or Gray finish only