

Features & Specifications

PLT LED STRIP LIGHT

INTENDED USE – The PLT LED strip light fixture combines a traditional linear design with high-output T8 LEDs to provide an energy-efficient, low maintenance fixture suitable for replacing existing fluorescent strip light fixtures. This medium body strip is for interior warehouse, retail, and utility areas requiring general illumination in a commercial quality strip configuration.

CONSTRUCTION – Rugged 24 Gauge cold-rolled steel housing with high gloss baked enamel paint for lasting durability. Non-shunted sockets. Wiring knockouts are provided on back and end of housing. End plate doubles as coupler for continuous row mounting.

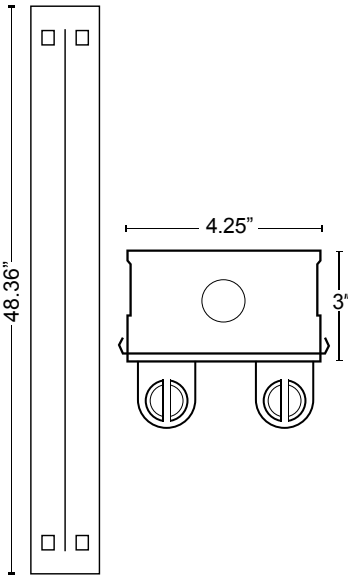
OPTICS – Two single-ended, direct wire LED T8 tubes emit 2400 Lumens of output each, for a total of 4800 Lumens maintained at 4100K for 50,000 hours of use. Each lamp uses 18.5 Watts of power for a combined 37 Watts. ≥ 80 CRI

ELECTRICAL – Does not include ballast. LED lamps are compatible with line voltage. Input voltage of 100-277 VAC.

INSTALLATION – Designed for surface, chain hung, or double stem mounting. See Installation Instruction PDF for more information.

LISTINGS – UL Certified to safety standards for damp locations. Rated for -20°C to -50°C ambient temperature. IP-40 Rated.

WARRANTY – 3-year warranty for strip fixture. 1-year warranty for included LED T8 tubes. PLT products that are damaged or defective will be repaired or replaced at PLT's choosing for a period of 3 years. Contact 1-800-624-4488 for more information



Dimensions

Height: 3 in.
Width: 4.25 in.
Length: 48.36 in.



Includes 2 LED T8 Lamps



- Replaces T12 and T8 fluorescent lamps, fits into non-shunted lampholders
- UL listed for safe use in damp locations and totally enclosed fixtures
- Produces a 4100 Kelvin, cool white color temperature
- Turns on instantly with no delay or flickering

SKU #	Kelvin	Lumens	CRI	Wattage	Voltage	DLC?	Mounting	Life Hours	Warranty
KIT-10086	4100	4800	≥ 80	37	120-277	NO	CHAIN	50,000	3 YEAR