

# Elements

by TCP



## LED Post Top

Limitless Options  
for the following applications:

TCP's LED Post Tops feature a sleek, modern look with high efficiency LEDs. An efficient alternative to metal halide, these post tops deliver bright, uniform light while providing energy savings and rebate eligibility. A long 50,000 hour rated life significantly decreases maintenance labor and material costs over the life of the fixture.

The robust die-cast aluminum housing is complemented by a durable acrylic lens that delivers an even Type V distribution. An integrated NEMA 7-pin photocell receptacle comes standard for use with 3-pin or 7-pin photocontrols or wireless nodes. A shorting cap is provided in case controls are not needed. The Post Tops fit over a 2 3/8" O.D. vertical tenon.

- Site Lighting
- Security Lighting
- Pathways
- Entrances
- Perimeters



5 YEAR WARRANTY

we know light.™

# LED Post Top

## Features/Benefits

Up to 67% less energy than traditional metal halide	Instant energy savings and potential rebate eligibility
Long 50,000 hour rated life	Minimizes replacements and labor costs
Integrated 7-pin NEMA photocontrol receptacle with shorting cap	Comes standard; 3-pin or 7-pin photocontrol or wireless control node can be used
Mercury free	Great for all environments
Die-cast aluminum housing with acrylic optics	Provides an even Type V distribution
UL approved for wet locations	Suitable for outdoor installation
Fits over a 2 <sup>3</sup> / <sub>8</sub> " vertical tenon	Easy installation and retrofit application

## Specifications

Input Line Voltage	120-277V
Input Line Frequency (Hz)	50/60HZ
Lumens / Wattage	9000L (75W), 12500L (100W), 18750L (150W)
Lumens per Watt (LPW)	120-125 LPW
Color Temperature (CCT)	4000K, 5000K
Dimming	0-10VDC dimming via 7-pin NEMA Photocontrol receptacle
Controls	NEMA 7-pin Photocontrol Receptacle with Shorting Cap provided
Rated Life	>50,000 hours
Operating Temperature	-40°C to 40°C
CRI	80+
Power Factor	>0.9
THD	<20%

## Warranty

Five year limited warranty against defects in manufacturing

## Replacement Comparison

Type	Wattage	Energy Savings (%)
<b>TCP Post Top A1 - 9000 Lumens</b>	<b>75W</b>	-
150W Metal Halide	188W	60%
200W Metal Halide	230W	67%
<b>TCP Post Top A2 - 12500 Lumens</b>	<b>100W</b>	-
200W Metal Halide	230W	57%
250W Metal Halide	295W	66%
<b>TCP Post Top A3 - 18500 Lumens</b>	<b>150W</b>	-
400W Metal Halide	458W	67%



5 YEAR WARRANTY

To view our DLC qualified products, please consult the DLC Qualified Products List at [www.designlights.org/qpl](http://www.designlights.org/qpl).

### Applications

TCP's LED Post Tops are a highly efficient alternative to traditional metal halide fixtures. Ideal for outdoor applications requiring bright, uniform light including site lighting, security lighting, entrances, pathways and parking lots.

### Construction

- Heavy duty die-cast aluminum housing
- Durable UV stabilized powder coat finish
- Fits over a 2<sup>3</sup>/<sub>8</sub>" vertical tenon
- Folds flat to reduce shipping costs

### Electrical

- NEMA 7-pin photocontrol receptacle with shorting cap accepts 3-pin or 7-pin photocontrols or wireless control nodes
- System rated for long 50,000 hour rated life
- cULus wet location rated

### Optics

- Acrylic optic provides Type V distribution



#### Listings

cULus Listed – wet location rated  
RoHS Compliant  
DLC v4.4 Standard

#### Installation

Before installation, please consult your local ordinances and building codes for compliance

#### Warranty

Five year limited warranty against defects in manufacturing

### Lumen Maintenance

Lumen Maintenance Factor (LMF)				
Item#	36,000 hours <sup>1</sup>	50,000 hours <sup>1</sup>	100,000 hours <sup>2</sup>	Reported L <sub>70</sub> (hours) <sup>1</sup>
A1	92.88%	90.25%	81.43%	>54,000
A2	92.88%	90.25%	81.43%	>54,000
A3	92.88%	90.25%	81.43%	>54,000

<sup>1</sup> IESNA TM-21-11 projected value based on 6X IESNA LM-80-08 total test duration.

<sup>2</sup> IESNA TM-21-11 calculated value exceeds 6X IESNA LM-80-08 total test duration.

## Catalog Ordering Matrix Example: PTUZDA1T540KN7BR

FAMILY	VOLTAGE	DIMMING	LUMENS PACKAGE (Power) <sup>1,2</sup>	DISTRIBUTION	CCT	PHOTOCELL RECEPTACLE <sup>3</sup>	COLOR
PT – Post Top	U – 120-277V	ZD – 0-10V Dimming	A1 – 9000 Lumens (75W) A2 – 12500 Lumens (100W) A3 – 18750 Lumens (150W)	T5 – Type V	40K – 4000K 50K – 5000K	N7 – NEMA 7-Pin	BR – Bronze

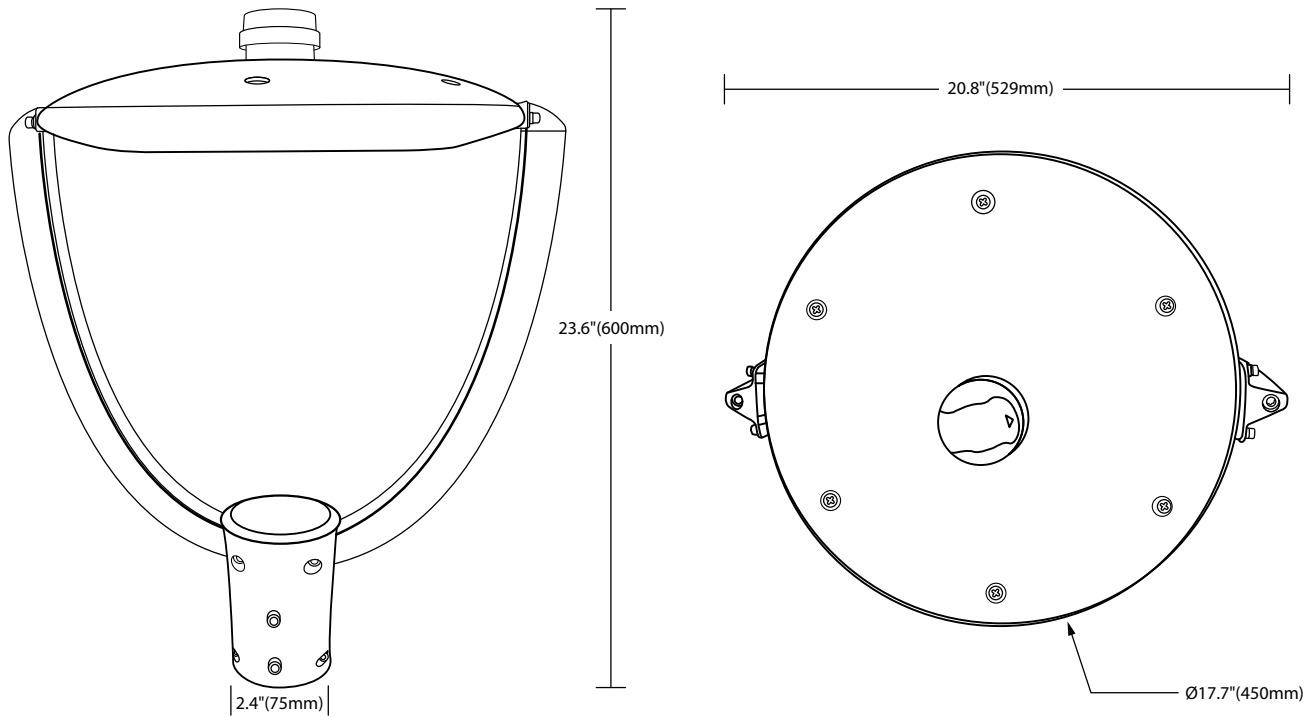
<sup>1</sup> Approximate lumen output. Actual performance may vary based on CCT, options selected and end user application. <sup>2</sup> Actual wattage may vary by +/- 10%.

<sup>3</sup> Shorting cap provided. Can be used with a standard 3-pin photocontrol or a wireless control node.

## Performance Data

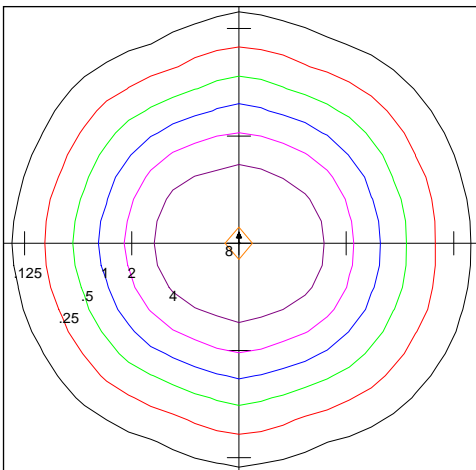
Lumen Package	System Watts	Drive Current (mA)	Input Voltage	Distribution Type	4000K 70CRI		5000K 70CRI		B-U-G Rating
					Lumens	LPW	Lumens	LPW	
A1	75	95	120-277V	V	9025	120	9205	123	B3-U3-G1
A2	100	100	120-277V	V	12359	124	12606	126	B3-U3-G1
A3	150	100	120-277V	V	18292	122	18658	124	B4-U3-G1

# LED Post Top LED TECHNICAL DATA



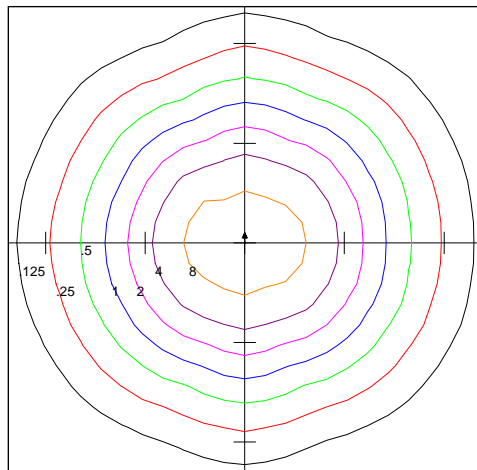
## Photometric Report

TCP Item # **PTUZDA1T540KN7BR**  
Polar Graph



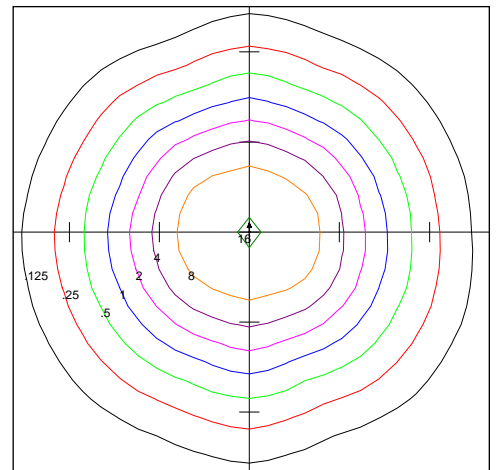
Horizontal Footcandles  
Scale: 1 Inch = 20 Ft.  
Light Loss Factor = 1.00  
Lumens Per Lamp = N.A. (absolute photometry)  
Luminaire Lumens = 9025  
Mounting Height = 20.00 Ft  
Maximum Calculated Value = 9.33 Fc  
Arrangement: Single

TCP Item # **PTUZDA2T540KN7BR**  
Polar Graph



Horizontal Footcandles  
Scale: 1 Inch = 20 Ft.  
Light Loss Factor = 1.00  
Lumens Per Lamp = N.A. (absolute photometry)  
Luminaire Lumens = 12359  
Mounting Height = 20.00 Ft  
Maximum Calculated Value = 12.99 Fc  
Arrangement: Single

TCP Item # **PTUZDA3T540KN7BR**  
Polar Graph



Horizontal Footcandles  
Scale: 1 Inch = 20 Ft.  
Light Loss Factor = 1.00  
Lumens Per Lamp = N.A. (absolute photometry)  
Luminaire Lumens = 18292  
Mounting Height = 20.00 Ft  
Maximum Calculated Value = 18.96 Fc  
Arrangement: Single