



LED Wrap Light

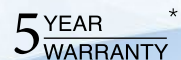
Great Features/Benefits

The TCP Wrap Light offers superior light output in a maintenance free fixture. With a durable metal frame, and a glare free, impact resistant frosted lens, you can install these fixtures and relax. Built to industry standard measurements, installation is quick and easy, and provides for easy upgrading.

- Energy efficient – Up to 56% energy savings compared to HID
- Smooth, uniform dimming (0-10V)
- Instant on, no warm up time for full light
- Long life: 50,000 hours
- Replaces traditional metal halide and linear fluorescent systems
- Heavy duty steel housing

Limitless Options for the following applications:

- Warehouses & Distribution Centers
- Commercial Facilities
- Aisles (Open & Stock)
- Restrooms
- Corridors
- Stairwells
- Hallways



LED Wrap Light

Applications

The TCP Wrap Light offers superior light output in a maintenance free fixture. With a durable metal frame, and a glare free, impact resistant lens, you can install these fixtures and relax. Built to industry standard measurements, installation is quick and easy, and provides for easy upgrading.

Construction

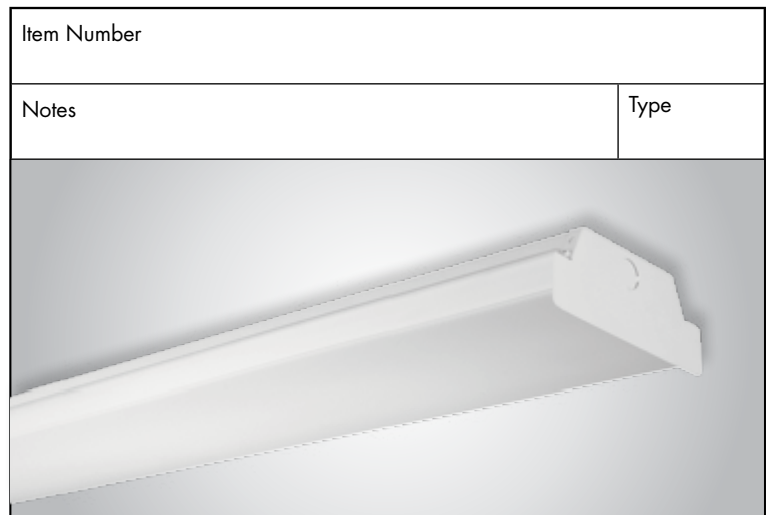
- Housing: durable steel construction
- Finish: powder coated, post-painted white
- Large wiring compartment and multiple knock-outs to accommodate lighting controls

Electrical

- cULus damp location rated
- 0-10V dimming driver (standard)
- Easy-to-access wiring compartment
- System rated for long 50,000 hour life
- Efficiently delivers >110 LPW

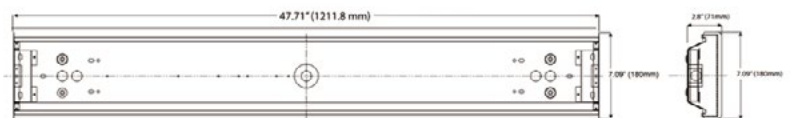
Optics

- High impact, acrylic lens comes standard to protect the LEDs and minimize glare
- Delivers bright, white light and excellent uniformity



Warranty Five year limited warranty against defects in manufacturing. DLC v4.3 Standard	Listings UL and cUL listed RoHS Compliant
--	--

For the most up-to-date specs and warranty information, please visit www.tcp.com



ITEM #	DESCRIPTION	DLC	LUMENS	WATTAGE	LPW	VOLTAGE	POWER FACTOR	CCT	CRI	LIFE	L(in.)	W(in.)	H(in.)
LED Wrap Light • Dimmable • 50,000 Hour													
LWR4000135	LED Wrap Light - 35K	★	4700	40	118	120V-277v AC	≥0.9	3500K	80	50000	47.7	7.1	2.8
LWR4000140	LED Wrap Light - 40K	★	4750	40	119	120V-277v AC	≥0.9	4000K	80	50000	47.7	7.1	2.8
LWR4000150	LED Wrap Light - 50K	★	4850	40	121	120V-277v AC	≥0.9	5000K	80	50000	47.7	7.1	2.8
LWR6300135	LED Wrap Light - 35K	★	7700	63	121	120V-277v AC	≥0.9	3500K	80	50000	47.7	7.1	2.8
LWR6300140	LED Wrap Light - 40K	★	7900	63	125	120V-277v AC	≥0.9	4000K	80	50000	47.7	7.1	2.8
LWR6300150	LED Wrap Light - 50K	★	8050	63	125	120V-277v AC	≥0.9	5000K	80	50000	47.7	7.1	2.8

