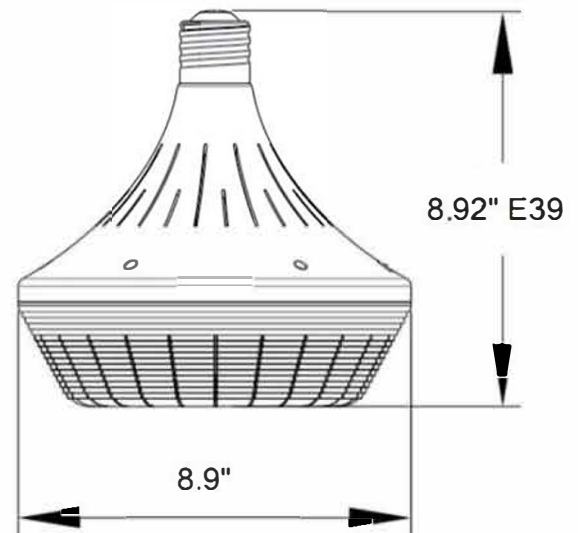


High Bay Retrofit



Features:

- Samsung 2835 chips, >20000lm for 150W
- Replaces 250W-400W HID lamp
- E39 base
- Direct line voltage 100-277V-- bypass ballast
- Integral 4KV surge protection
- Double cooling-cold forging kit + sunon fan
- Unique structure design to minimize dust intrusion
- Directional optical design maximizes the best lighting performance
- Triple temperature control against over-heating
- Plug & play safety cable included
- UL listed for dry locations
- Backed up by a 5-year warranty
- -40° through 113° F operating temperature

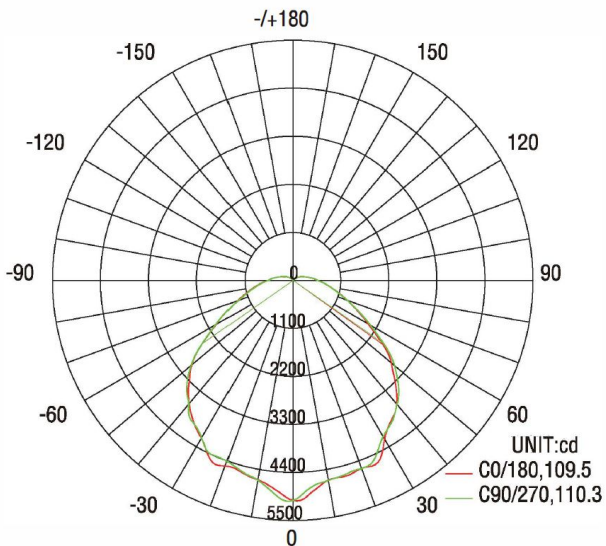


Technical parameters :

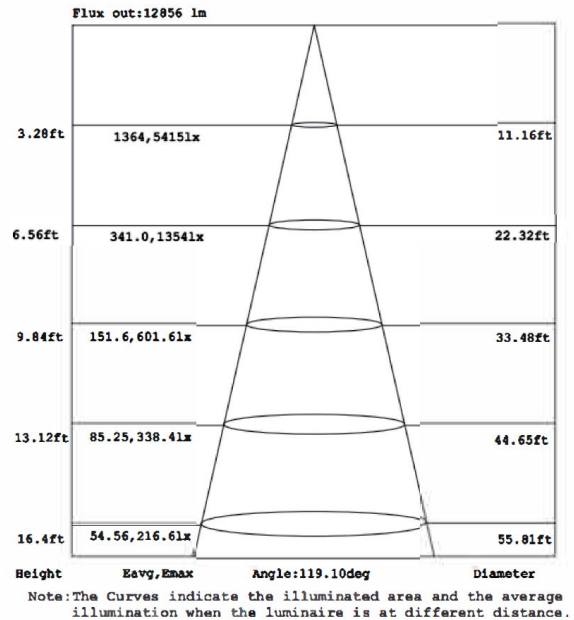
Model	CCT	Lumen (lm)	Beam angle	Base	Voltage	Power(w)	Life Hrs	CRI	Replace HID
PLTB521	2700K	14792	120°	E39 Mogul	100-277V	120	50000 hrs	>80	250W
PLTB522	3000K	15127	120°	E39 Mogul	100-277V	120	50000 hrs	>80	250W
PLTB523	4000K	16514	120°	E39 Mogul	100-277V	120	50000 hrs	>80	250W
PLTB524	5000K	16800	120°	E39 Mogul	100-277V	120	50000 hrs	>80	400W
PLTB525	5700K	16795	120°	E39 Mogul	100-277V	120	50000 hrs	>80	400W
PLTB531	2700K	18875	120°	E39 Mogul	100-277V	150	50000 hrs	>80	400W
PLTB532	3000K	19306	120°	E39 Mogul	100-277V	150	50000 hrs	>80	400W
PLTB533	4000K	20131	120°	E39 Mogul	100-277V	150	50000 hrs	>80	400W
PLTB534	5000K	19849	120°	E39 Mogul	100-277V	150	50000 hrs	>80	400W
PLTB535	5700K	21459	120°	E39 Mogul	100-277V	150	50000 hrs	>80	400W

Light Intensity Distribution Diagrams:

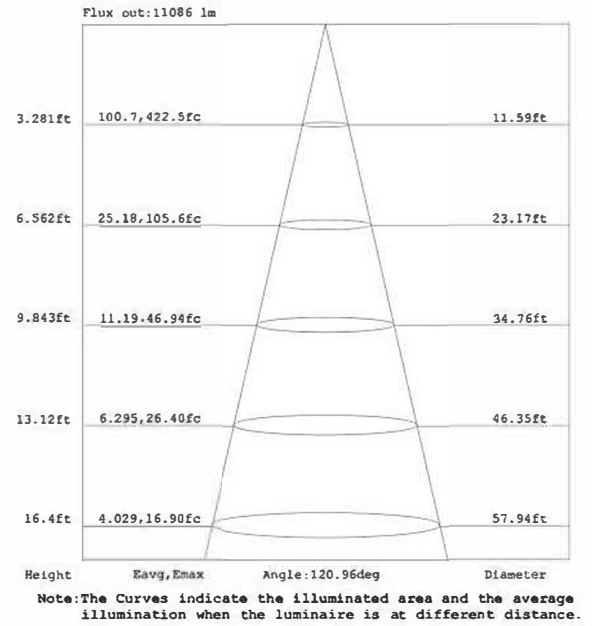
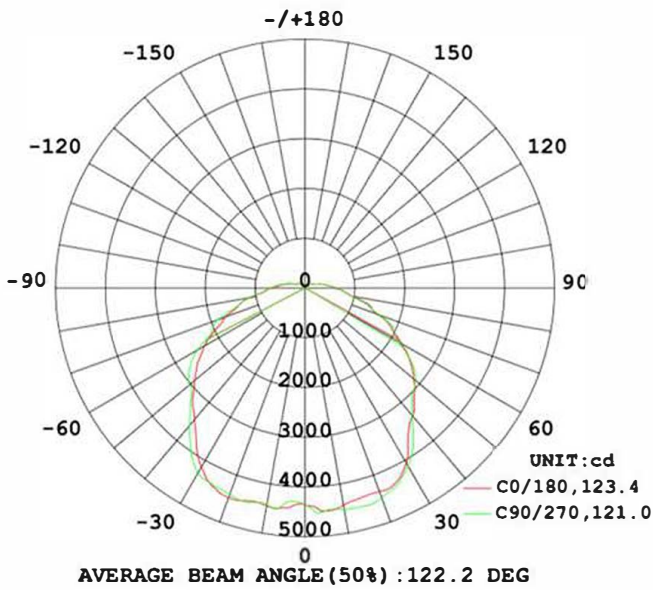
for 120W, 5000K Offering, Model PLTB524



AVERAGE BEAM ANGLE(50%):109.9 DEG



for 120W, 4000K Offering, Model PLTB523



Packing

Model	Case Qty	Case G.W.	Case N.W.	Inner Box Size	Outer Carton Size
120W-150W	4pcs	10.84kgs 23.9lbs	6.64kgs 14.64lbs	10.83X10.83X11.1" (275X275X282mm)	22.25X22.25X12" (565X565X305mm)

Notes:

- Disconnect power from the luminaires and follow proper lockout/tag-out procedures before installation or maintenance. Contact a qualified electrician for installation.
- This device requires 100V-277V input voltage.
- This device requires all ballasts, capacitors, and starters to be by-passed/removed.
- Suitable for use in dry or damp locations. DO NOT use where directly exposed to liquid, vapor, rain.
- This device is not intended for use with emergency exits.
- This device is not intended for use with dimmers or remote controls.
- This device is suitable for fully enclosed luminaires with minimum lamp compartment dimensions of: 11.81"(L) x 11.81" (W) x 15.75"(H).