

Elements

by TCP

LED Wall Pack



Limitless Options
for the following applications:

TCP's LED Non-Cutoff Wall Pack combines the look of a traditional wall pack with the benefits of LED. An efficient alternative to HID, these wall packs deliver bright uniform light while providing energy savings. A long 50,000 hour rated life significantly decreases maintenance labor and material costs over the life of the fixture.

The robust die-cast aluminum housing incorporates an impact resistant polycarbonate lens. An integrated photocell is optional for dusk-to-dawn control. The wall pack mounts directly to a standard junction box for easy retrofit of traditional fixtures.

- Site Lighting
- Security Lighting
- Entrances
- Perimeters



5 YEAR
WARRANTY

we know light.™

LED Non-Cutoff Wall Pack - Polycarbonate Lens

Applications

This product family can be effectively used in outdoor wall mount locations. Commercial, industrial, retail and healthcare exterior lighting; parking lot, cargo door, high wall, area, security, etc.

Construction

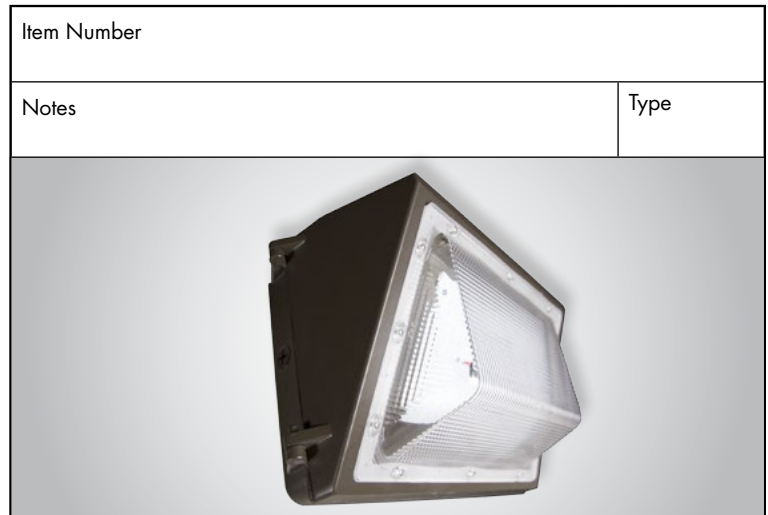
- Die-cast aluminum housing
- Impact resistant polycarbonate lens
- Durable dark bronze powdercoat
- Same footprint as existing HID wall packs

Electrical

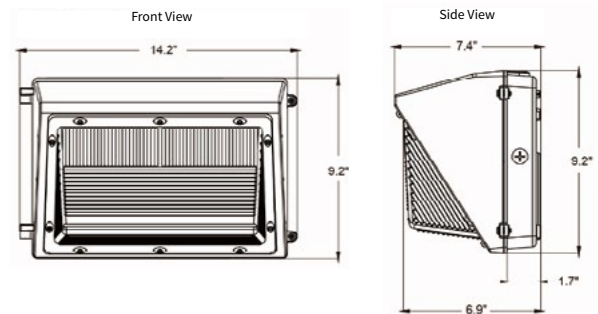
- cULus wet location rated
- Easy-to-access wiring compartment
- System rated for long 50,000 hour life
- Efficiently delivers up to 125 LPW

Optics

- Prismatic polycarbonate lens
- Delivers bright, white light and excellent uniformity



| | |
|---|--|
| Warranty Five year limited warranty against defects in manufacturing. | Listings UL and cUL listed RoHS Compliant |
|---|--|



| ITEM # | DESCRIPTION | LUMENS | WATTAGE | LPW | VOLTAGE | POWER FACTOR | CCT | CRI | LIFE | L(in.) | H(in.) | W(in.) |
|------------------------------------|----------------------------------|--------|---------|-------|------------|--------------|-------|-----|-------|--------|--------|--------|
| LED Wall Pack • 50,000 Hour | | | | | | | | | | | | |
| WP5500140 | LED Wall Pack - Non Dim 40K | 6900 | 55 | 125.5 | 120 - 277V | ≥0.9 | 4000K | >80 | 50000 | 14.2 | 9.2 | 7.4 |
| WP5500150 | LED Wall Pack - Non Dim 50K | 6900 | 55 | 125.5 | 120 - 277V | ≥0.9 | 5000K | >80 | 50000 | 14.2 | 9.2 | 7.4 |
| WP5500140PC | LED Wall Pack - Non Dim 40K W/PC | 6900 | 55 | 125.5 | 120 - 277V | ≥0.9 | 4000K | >80 | 50000 | 14.2 | 9.2 | 7.4 |
| WP5500150PC | LED Wall Pack - Non Dim 50K W/PC | 6900 | 55 | 125.5 | 120 - 277V | ≥0.9 | 5000K | >80 | 50000 | 14.2 | 9.2 | 7.4 |
| WP12000140 | LED Wall Pack - Non Dim 40K | 14500 | 120 | 120.8 | 120 - 277V | ≥0.9 | 4000K | >80 | 50000 | 14.2 | 9.2 | 7.4 |
| WP12000150 | LED Wall Pack - Non Dim 50K | 14500 | 120 | 120.8 | 120 - 277V | ≥0.9 | 5000K | >80 | 50000 | 14.2 | 9.2 | 7.4 |
| WP12000140PC | LED Wall Pack - Non Dim 40K W/PC | 14500 | 120 | 120.8 | 120 - 277V | ≥0.9 | 4000K | >80 | 50000 | 14.2 | 9.2 | 7.4 |
| WP12000150PC | LED Wall Pack - Non Dim 50K W/PC | 14500 | 120 | 120.8 | 120 - 277V | ≥0.9 | 5000K | >80 | 50000 | 14.2 | 9.2 | 7.4 |