

# Installation Instructions

## NORA TRACK & CONNECTORS

\*\*\*\*URGENT: READ PRIOR TO ATTEMPTING INSTALLATION\*\*\*\*

### WARNING: FIRE/ELECTRICAL HAZARD

This equipment is intended to be installed only by qualified personnel. The installation must be made in accordance with the current edition to the National Electric Code and all applicable state and local building codes. The final installation must be approved by the appropriate qualified electrical/building inspector(s). Improper installation may result in a fire or electrical hazard. Be sure the electrical power to the circuit has been disconnected before installing this electrical system.

**NOTE: Track is UL listed strictly for 120V, 60Hz, 20Amp power supply. Not for use with remote transformer(s).**

### DIMMING

Incandescent accepts standard rotary or slide dimmer. Select dimmer with ample capacity for total number of track fixtures. Low Voltage fixtures require use of solid state (electronic) dimmer control capable of dimming transformers. Example: Lutron. Compact Fluorescent and HID fixtures cannot be dimmed.

### INSTALLING NORA TRACK SECTION

Turn off power before beginning installation.

- Secure mounting strap to outlet box. For adjustable, T- and X-connector, a cover plate is required. If removal of a knockout is required, remove it at this time.
- NOTE: Make sure end cap at opposite end of track is secured and butted against a surface.** Slide feed connector into end of track by aligning polarity arrow on connector with polarity groove in track, secure with the set screws provided. Using toggle bolts or screws provided, attach track to ceiling. Secure feed connector to outlet box, if applicable.

### ADDING NEW CONNECTOR

If adding additional sections to existing track remove end cap from existing track. Slide new connector into open end of existing track and tap with rubber mallet to secure proper fit.

### ADDING NEW TRACK

Secure end cap into non-connecting end of new track. Slide new track into connector and tap with rubber mallet for proper fit with no gap. Secure to ceiling according to instructions above.

### WIRING NORA TRACK SECTION

- Run wire through outlet box mounting strap (if present) and connector.
- Connect positive wire (black) to the screw terminal marked P.
- Connect the neutral wire (white) to the screw terminal marked N.
- Connect the ground wire to green-finished screw terminal.
- See track fixture instructions for installation of fixture onto track.
- Track rated at 120V, 60Hz, 20 Amps.

### WIRING CONNECTORS

Connectors are factory wired for correct polarity. Wiring patterns can be changed easily in the field by merely shifting jumper positions or eliminating wires. When replacing or rewiring, be sure to maintain correct polarity.

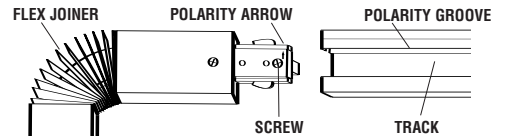
**NORALIGHTING**  
6505 Gayhart St., Commerce, CA 90040

## POWER FEED AND CONNECTORS

### NT-309 / NT-2309

#### Flexible Connector

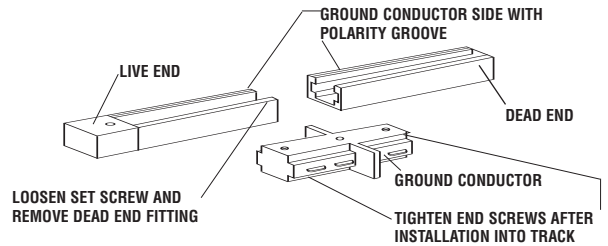
Joins two track sections at any angle up to 90 degrees. Can be used for wall to ceiling installation. Tighten screw after installation into track.



### NT-310 / NT-2310

#### Mini Connector

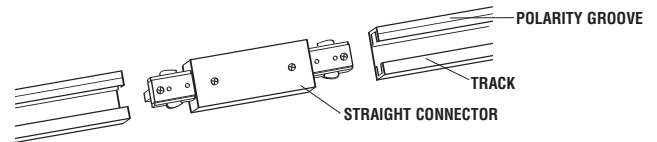
Loosen set screw and remove dead end fitting. Push connector into open end of track.



### NT-312 / NT-2312

#### Straight Connector

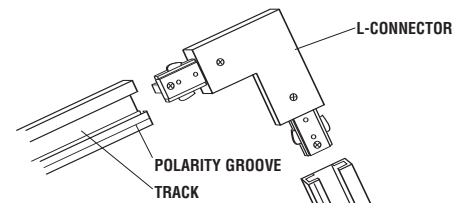
Connects two track sections for a straight run.



### NT-313 / NT-2313

#### L-Connector

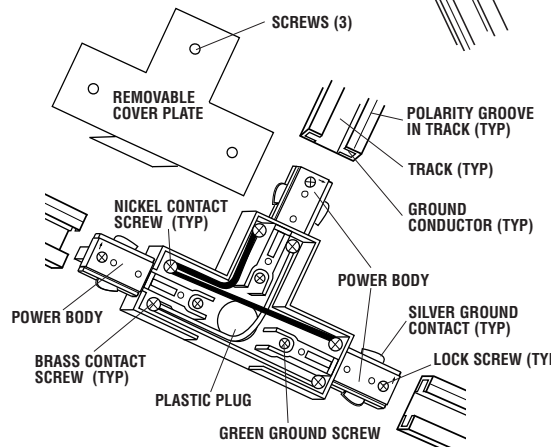
Connects two track sections at a 90 degree angle.



### NT-314 / NT-2314

#### T-Connector

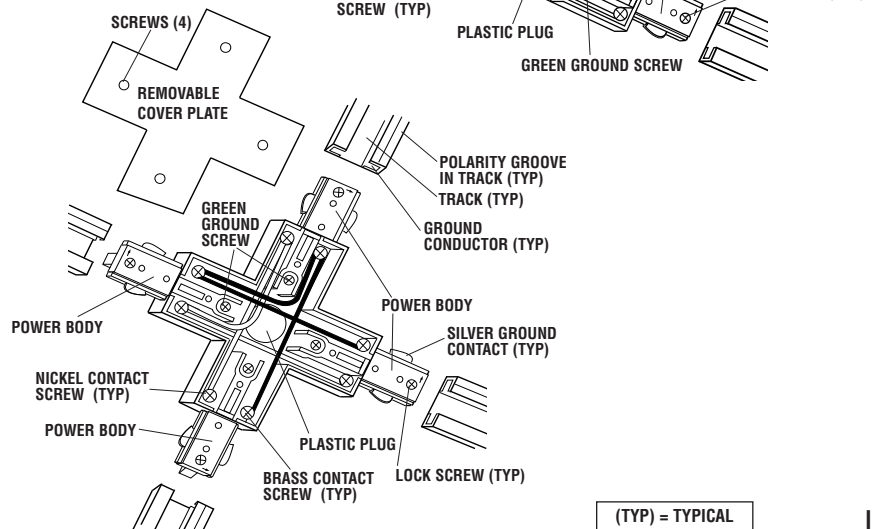
Joins three track sections. Track connector is polarized.



### NT-315 / NT-2315

#### X-Connector

Joins up to four track sections. Track connector is polarized.



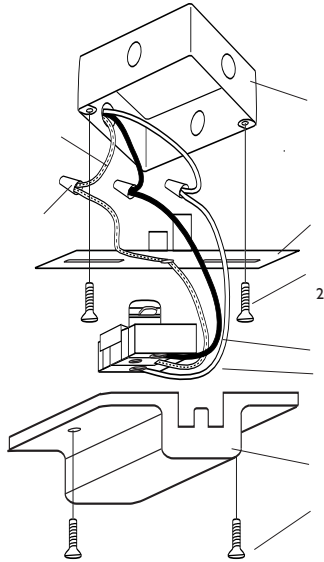
(TYP) = TYPICAL

2

Mounting to outlet box at any point on track. Locate junction box in ceiling or on wall containing two wires, a black wire (Hot +) and a white wire (Neutral -).

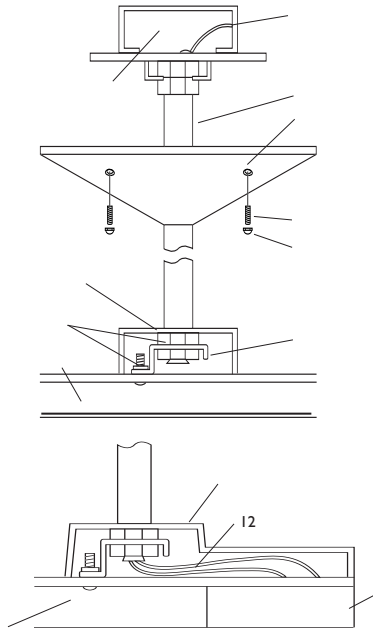
**Make sure to splice white to white and black to black.**

*Note: connect the green ground wire to the green ground screw or the green ground wire in the junction box.*



2  
22  
222

1. Assemble Mounting strap to existing junction box.
2. Assemble nuts on end of stem. Slide canopy on and secure to mounting strap using screw threads and finished domed nuts
3. Assemble nuts to the other end of stem leaving enough space between nuts to allow mounting bracket. Tighten nuts securely.
4. May also be used with T-bar clip (NT-332) for unpowered structured support.
5. When connecting power through stem, use NT-316 and Wire Way Cover (NT-326)



**SAVE THESE IMPORTANT SAFETY INSTRUCTIONS**

Read all instructions.

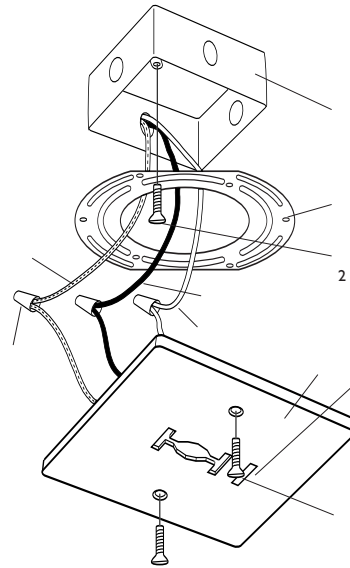
All electrical power is to be disconnected before adding to or changing the track configuration.

The one circuit track system has a maximum capacity of 20 amps or 2400 total watts when permanently wired to an outlet box. Do not attempt to energize anything other than lighting track fixtures on the track. To reduce the risk of fire and electric shock, do not attempt to connect power tools, extension cords, appliances and the like to the track.

- Track light assembly must be installed a minimum of 6 inches from any combustible surface or material, such as wall coverings or curtains.
- Track is not to be installed in wet or damp locations.
- Track system must be installed a minimum of 5 feet above the floor.
- Track not intended to be connected with power cord to more than one branch circuit unless it is constructed so that it can be fed with more than one circuit. Check with a qualified electrician. Although the track system may appear to operate acceptably, a dangerous overload of the neutral may occur and result in a risk of fire.

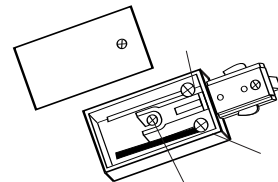
1

Insert the desired 120V AC lampholder into canopy observing line polarity line. Maximum wattage: 300W

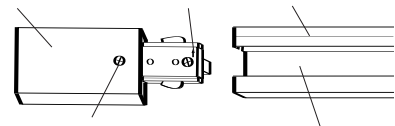


21121      221222  
111212

Insert end of connector into track. Arrow on connector end is on the same side as polarity groove on the track.



2 hot wires for 2 circuit track



2

Accept conduit for surface wiring. Track connector is polarized. Ground contact is on same side as ground polarity groove on track. Run conduit around or through beam or around I-beam.

