

# LED HIGH BAY



## FEATURES

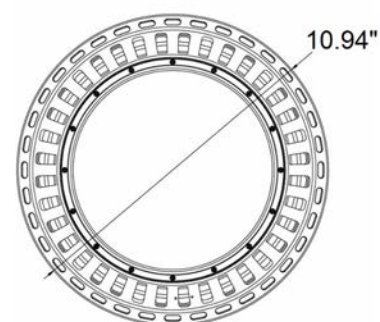
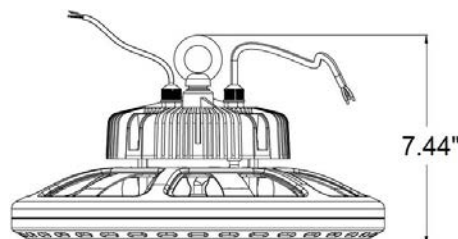
- For Commercial and Industrial Buildings
- 250 Watt Metal Halide Equivalent
- Compatible with 0-10V Dimmer
- UL Listed for Damp Locations
- UL File No: E484679
- 120° Beam Angle
- IP65 Rating



**ENERGY EFFICIENCY & LONG LIFE**  
75% MORE ENERGY EFFICIENT THAN STANDARD  
MH LAMPS TYPICAL PAYBACK OF 1 - 3 YEARS

SKU#	Kelvin	Lumens	Shape	Wattage	Voltage	DLC?	Mounting	Life Hours	Warranty
PLT-11081-5K	5000	13,500	Round	100	120-277	No	Ring	60,000	3 Years

## ADDITIONAL PHOTOS



## FEATURES

- Polycarbonate Lens
- Lightweight design
- LED Driver Included

## SPECIFICATIONS

DIMMABLE .....	YES
DLC LISTED .....	No
SAFETY RATING .....	UL
CRI .....	.80
COLOR .....	DAYLIGHT WHITE
COLOR TEMPERATURE .....	5000K
LIFE HOURS .....	60,000
WATTAGE .....	100 WATTS
LUMENS .....	13,500
VOLTAGE .....	120-277
FINISH.....	BLACK
HOUSING .....	ALUMINUM
MOUNTING .....	RING MOUNT
LENS .....	POLYCARBONATE
DIAMETER .....	10.94 IN.
HEIGHT .....	7.44 IN.
WEIGHT .....	5 LBS.

## TYPICAL APPLICATIONS

- Industrial Factories
- Distribution Centers
- Cold Storage Facilities

## WARRANTY

**Warranty**

**3 Years**

## PHOTOMETRICS

