



LED EP30-5040ews



Part #: EBP30DM/B/13W/900/40D/40K/E26/E/S Bulb Class: PAR30



Product Description

LED EP30-5040ews delivers superior brightness, valuable energy savings and long lasting performance. This PAR30 LED Short Neck bulb is ideal for ambient lighting or general purpose applications due to its comfortable *bright white light (4000K) and replaces conventional 75 Watt incandescent light bulbs. Enjoy features such as: instant on, dimming options, shatter resistance and mercury free.



Estimated Energy Cost: \$1.56 per year

*Note: Design, features and specifications subject to change without notice. Some features may not be available on all models.

Specifications

Input Power	Input Voltage	Lumen Output	Beam Angle	Center Beam	CCT
13 W	120V/60Hz	900 lm	40°	1995 cd	4000 K
CRI	Luminous Efficacy	Power Factor	Input Current	Base/Cap	Lamp Lifespan
90+	69 lm/W	0.8	0.1 A	E26	25,000 Hrs.

Product Features



Dimmable



Instant-On/Off

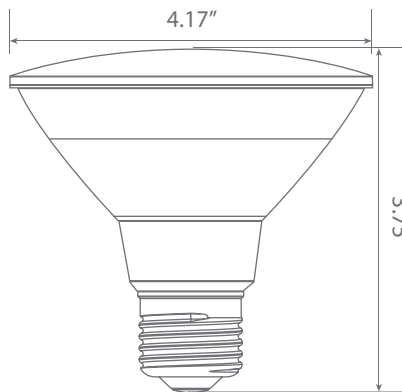


Mercury Free



Wet Rated

Product Dimensions



Product Photometric Data

