

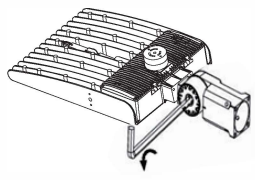
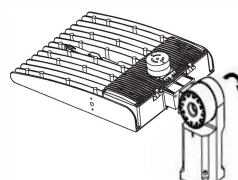
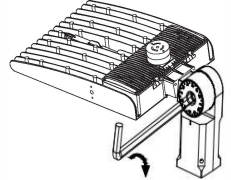
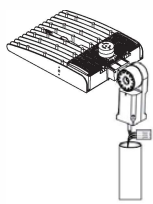
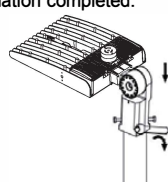
IMPORTANT: READ BEFORE REMOVING FIXTURE FROM CARTON. RETIAN THE MANUAL FOR FUTURE REFERENCE.

SAFETY: This fixture must wired in accordance with the national electrical code and applicable local codes and ordinance. proper grounding is required to insure personal safety. Carefully observe grounding procedure under installation section. All work should be done by a qualified electrician.

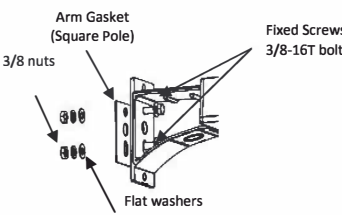
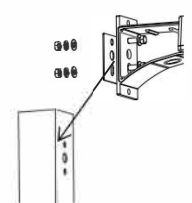
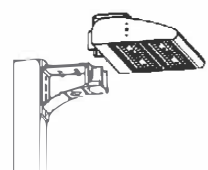
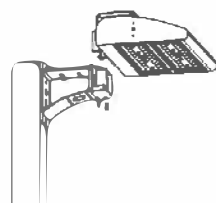
- > Risk of electric shock-Disconnect power at fuse or circuit breaker before installing or servicing.
- > Risk of burn-Disconnect power and allow fixture to cool before servicing.
- > Risk of personal injury-Fixture may become damaged and/or unstable if not installed properly.
- > Tighten all fixture components to their recommended torque values.

WARNING: Make certain power is OFF before starting installation or attempting any maintenance.
Contact manufacturer with any questions or concerns regarding installation of this luminaire.

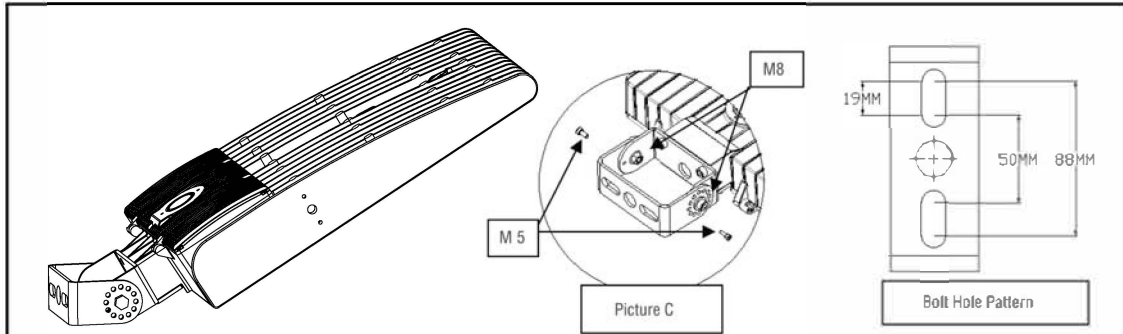
Adjustable Slip Fitter-Suitable for max. tenon size 1 3/8"

<p>1. Unscrew and remove the plug by Hex-wrench.</p> 	<p>2. Swivel the mount into the right angle.</p> 	<p>3. Screw the plug by Hex-wrench and fasten it.</p> 
<p>4. Connect the L/N/GND wires.</p> 	<p>4. Connect the mount with the light pole, and screw down by Hex-wrench. Installation completed.</p> 	

Round Pole Mount-Suitable for 4" to 6" pole and Straight Pole Mount-Suitable for 3" x3" or larger pole

<p>1. Loosen the (2) Fixed Screws (3/8-16T bolt with flat washers) from the mounting.</p> 	<p>2. Align the (2) Fixed Screw holes from the mounting to the pole, tighten the Fixed Screws.</p> 
<p>3. Slide fixture in the Round/Straight pole mount. Connect the L/N/G wires through the wire hole.</p> 	<p>4. Tighten (2) Fixed Screws of mounting arm.</p> 

Trunion Installation



The diagram for Trunion Installation includes three parts: a perspective view of the fixture, a circular inset labeled 'Picture C' showing the internal mounting mechanism with labels for 'M8' trunion bolts and 'M5' positioning screws, and a 'Bolt Hole Pattern' diagram showing a rectangular layout with dimensions: 19MM between the top holes, 50MM between the bottom holes, and 88MM total width.

Step 1: Mount the fixture to suitable flat surface with adequate hardware for that surface;

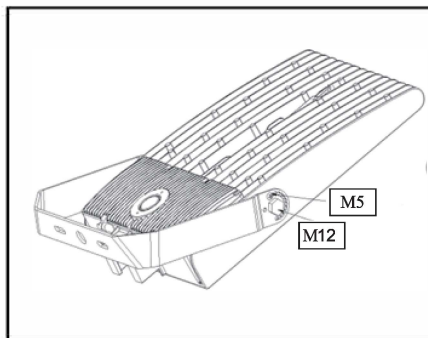
Step 2: Hold top of fixture, loosen (2) M8 Trunion Bolts and (2) M5 Positioning Screws;

Step 3: Adjust the U Trunion to suitable position;

Step 4: Swivel the fixture until Positioning Screws are in one of the Positioning Holes;

Step 5: Tighten the (2) M8 Trunion Bolts and (2) M5 Positioning Screws (see picture C).

York Bracket Installation



The diagram for York Bracket Installation shows a perspective view of the fixture with a York bracket attached. Labels indicate 'M5' screws for the bracket and 'M12' screws for the fixture.

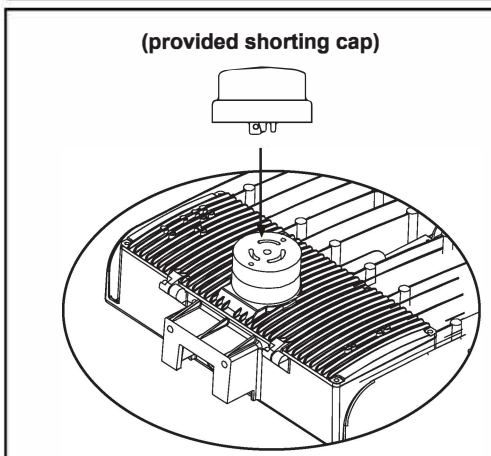
Step 1: Loosen the (2)M12 and (4)M5 screws;

Step 2: Adjust the fixture to required angle, and tighten (2) M5 positioning screws on one side;

Step 3: Tighten the (2) M12 and the (2) M5 screws on the other side;

Step 4: Connect the L/N/GND wires.

(provided shorting cap)



The diagram shows a circular inset of the fixture's internal components. A shorting cap is being placed over a terminal block. A label 'M12' points to a screw on the fixture.

Remarks:

PLT AREA LIGHT UNITS come with receptacles installed on the fixture, end-users can either twist in a 3pin photocell, or the provided shorting cap.