

## TCPGPS2, TCPGPS4 & TCPGPS8

**IMPORTANT: Install by Qualified Electrician.** Please read instructions before proceeding with installation. Keep these instructions for future reference.

### WARNING

#### RISK OF ELECTRIC SHOCK

- Turn off power prior to inspection, installation or removal of fixture.
- Ensure electrical enclosure is properly grounded in accordance with National Electrical Code (NEC).

#### RISK OF FIRE

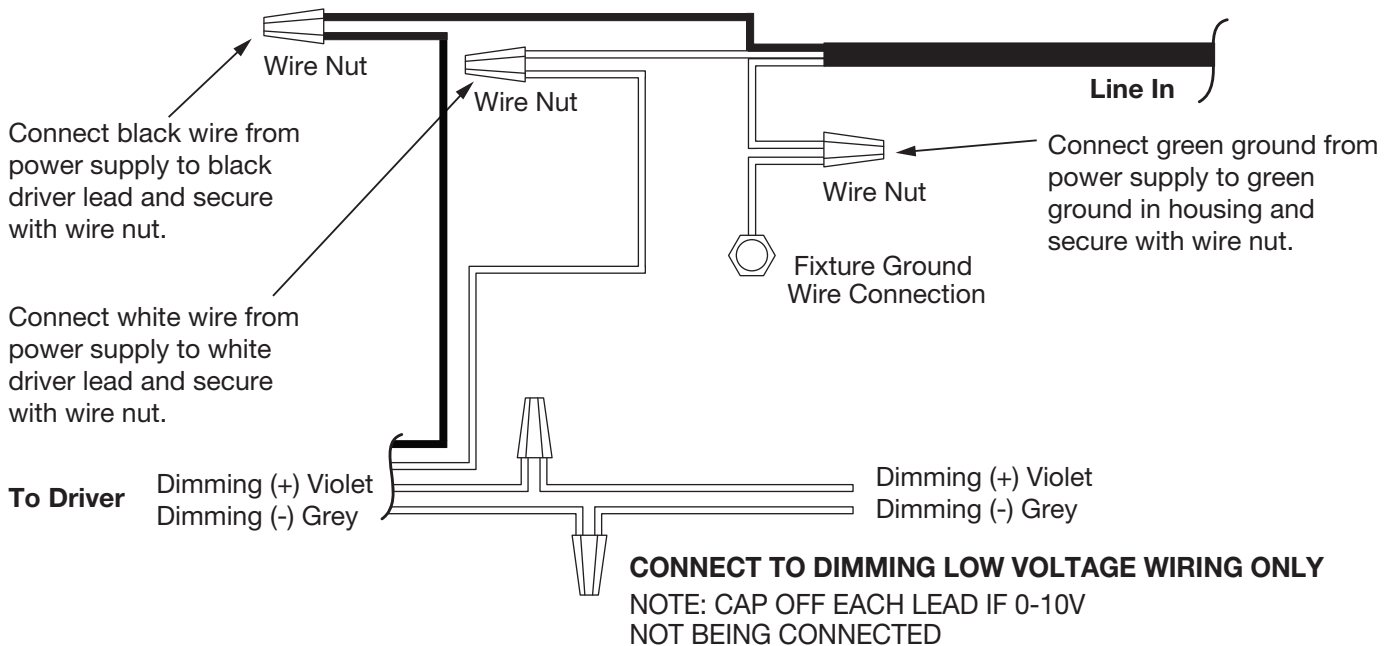
- Product must be installed in accordance with NEC and/or applicable local codes by a qualified licensed electrician.
- Wiring connections should be made with UL approved wire connectors.

**THIS PRODUCT MUST BE INSTALLED IN ACCORDANCE WITH THE APPLICABLE INSTALLATION CODE BY A PERSON FAMILIAR WITH THE CONSTRUCTION AND OPERATION OF THE PRODUCT AND THE HAZARDS INVOLVED**

#### ATTENTION

- Use care when handling the luminaire. Do not drop, press, or bend the light panel to avoid damage during installation.
- Prior to installation, carefully unpack and properly inspect luminaire for any damage or loose connections that may have occurred during shipping.

#### ELECTRICAL CONNECTION



**NOTE:** For connection to dimming controls, consult control manufacturer's wiring instructions.

**USE ONLY UL LISTED WIRING CONNECTORS AND UL LISTED WIRING HAVING A MINIMUM TEMPERATURE RATING AS SHOWN ON THE FIXTURE LABEL.**

*continued on back*

### Surface Mounting

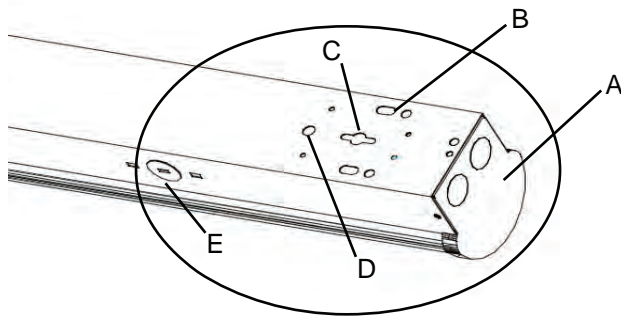
- Secure luminaire base to mounting surface by inserting customer supplied #8 anchor screws, toggle bolts or suitable fasteners, (depending on structural conditions) into key hole slots on the top side of the luminaire base. (See Figure C)

### Chain Mounting with V Hook

- Attach customer supplied V-Hooks to each end of the luminaire base using designated key hole slots. (See Figure B)
- Attach customer supplied chain to the V-Hooks and mounting surface per applicable codes.

### T-Bar Clip Mounting

- Attach customer supplied T-Bar clips to the designated opening on the luminaire. (See Figure D)
- Bring luminaire into T-Bar ceiling grid and secure luminaire to grid per applicable codes.



- A:** End Cap
- B:** Chain Mounting with V Hook
- C:** Surface Mounting
- D:** T-Bar Clip Mounting Hole
- E:** Wiring Knockouts

Figure