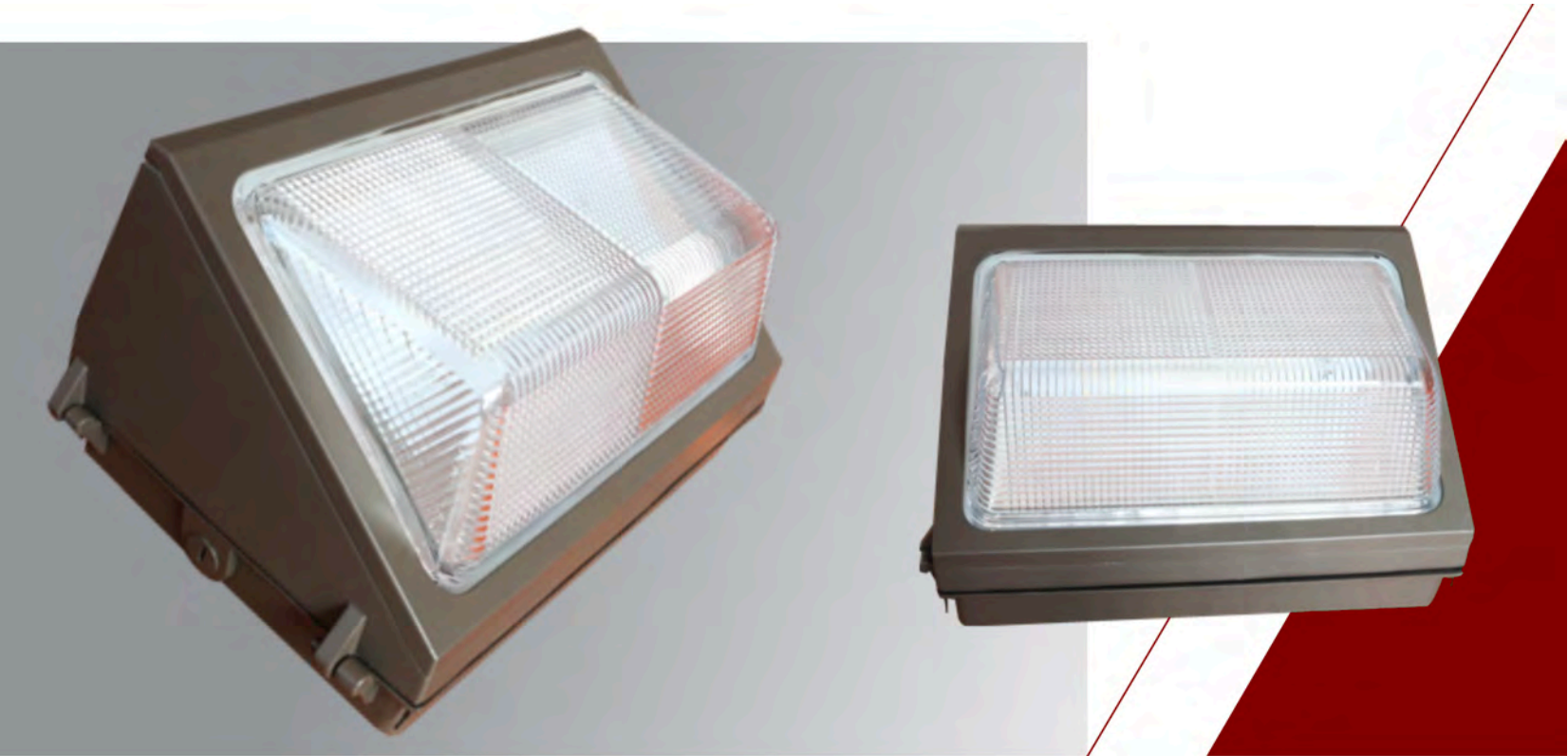
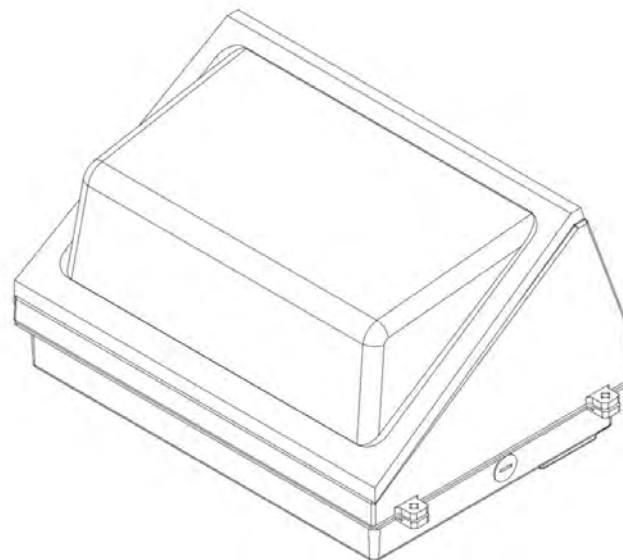


# LED WALL PACK

# PLT &

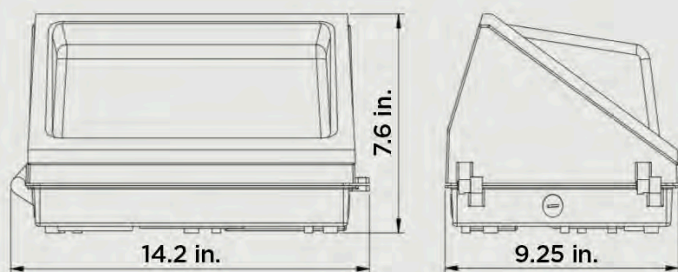




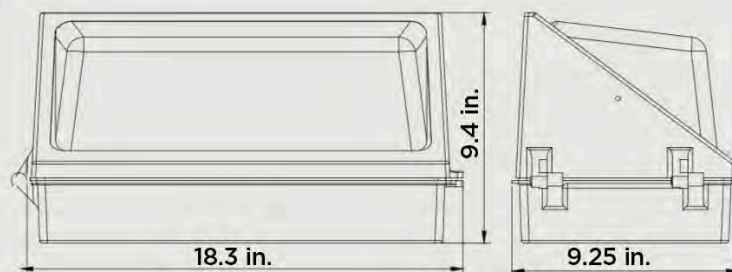
- LED: Samsung SMD 2835. 120LPW.
- Driver: Sosen 100-277VAC, 50/60Hz.
- IP65 Rated, approved for outdoor wet applications.
- 5Years Warranty
- Easy installation and maintainance.

## Product Dimension

35W/50W/75W



100W/120W



## Performance Summary

Model	CCT	Lumen(lm)	Power (w)	Efficiency (lm/w)	Beam Angle	Voltage	Life Hrs	CRI
PLTB6111	4000K	4,200	35	120	102°	100-277V	>54,000	>80
PLTB6121	5000K	4,200	35	120	102°	100-277V	>54,000	>80
PLTB6211	4000K	6,000	50	120	102°	100-277V	>54,000	>80
PLTB6221	5000K	6,000	50	120	102°	100-277V	>54,000	>80
PLTB6311	4000K	9,200	75	122	102°	100-277V	>54,000	>80
PLTB6321	5000K	9,200	75	122	102°	100-277V	>54,000	>80
PLTB6411	4000K	12,800	100	128	105°	100-277V	>54,000	>80
PLTB6421	5000K	12,800	100	128	105°	100-277V	>54,000	>80
PLTB6511	4000K	15,300	120	127	105°	100-277V	>54,000	>80
PLTB6521	5000K	15,300	120	127	105°	100-277V	>54,000	>80

### Chips

Samsung 2835

### Certification

ETL

### Driver

Sosen

### IP Rating

IP65

### Working Temp

-40°F--+113°F

### Warranty

5Years

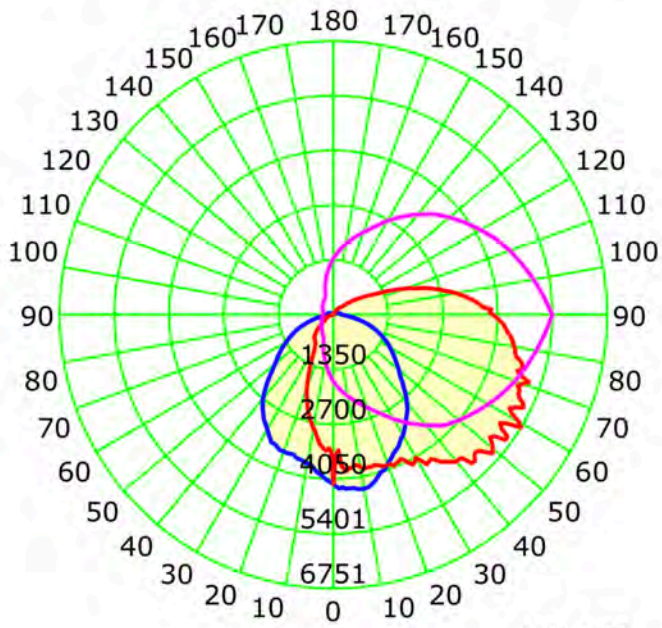
### Finish Color

Bronze

for 120W, 5000K, Model PLTB65211

for 35W, 4000K, Model PLTB61111

Luminous Intensity Distribution Curve

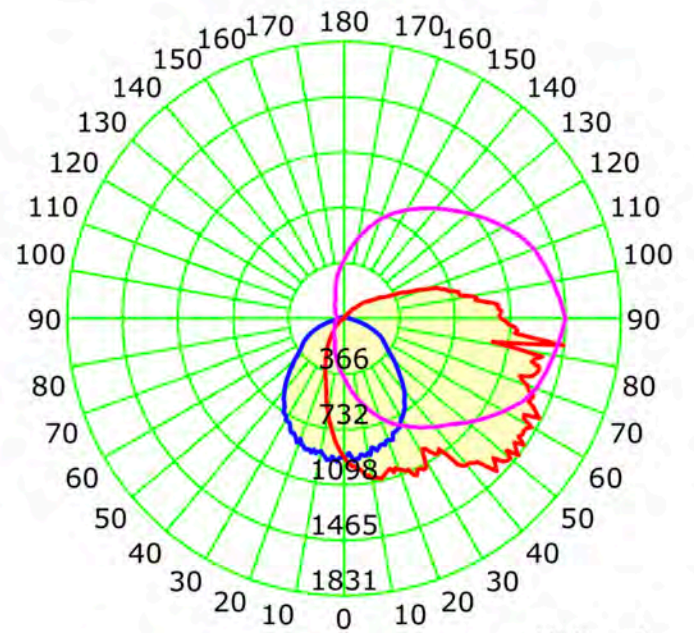


Unit: cd

Average Diffuse Angle(50%): 104.9°

— C0-C180 — C90-C270 — G59

Luminous Intensity Distribution Curve



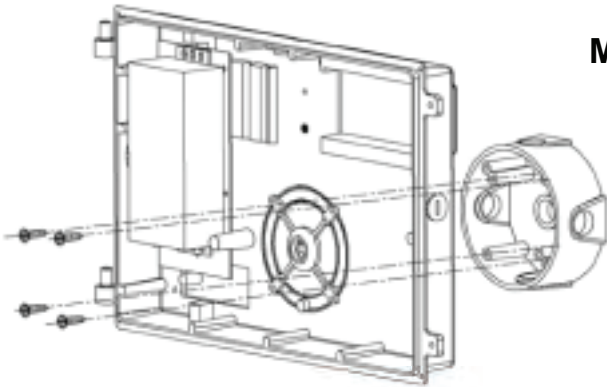
Unit: cd

Average Diffuse Angle(50%): 103.0°

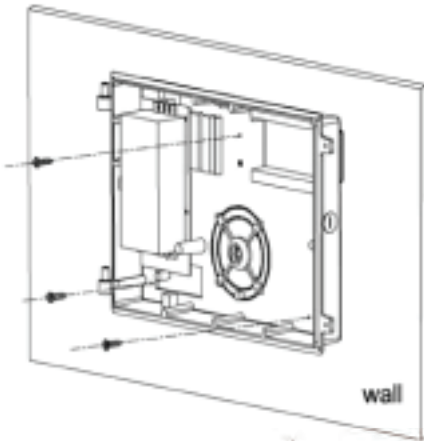
— C0-C180 — C90-C270 — G52



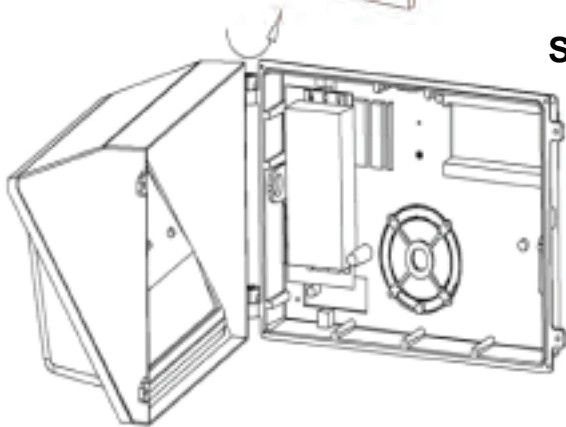
**Step 1:** Fix the rear housing and connect the input wire.



**Method 1:** Remove the pre-cast locators (Pic 1), at the back of the rear housing, and fix the fixture with 4 screws (not provided) to the standard junction box on the wall. Then connect the input wire.

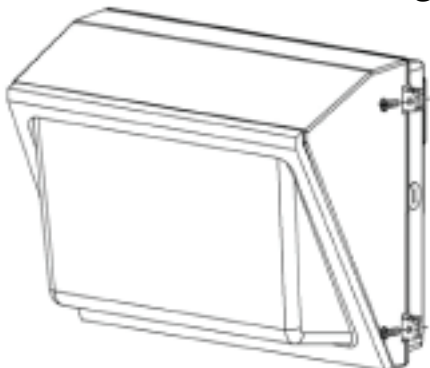


**Method 2:** Remove the 3 pre-cast locators (Pic 2), at the back of the rear housing, and fix the fixture with 3 screws (not provided) directly onto the wall. Then connect the input wire.



**Step 2:** Attach the diffuser door to the rear housing, and connect the wires: L to L, N to N, and G to G. Then remove the 2 leaking plugs from the housing.

**Step 3:** Close the diffuser door and lock it with the 2 diffuser door screws.



**Step 4:** Make sure all wiring access holes are sealed properly for waterproofing purposes.

**Step 5:** Turn on the electricity to verify your successful installation.