



**SORAA BRILLIANT HL™**

The Soraa Brilliant HL single-source COB lamp combines Soraa's world-class optics design and driver technology with a photopically efficacious LED

**SORAA POINT SOURCE OPTICS™**

With a point source and sophisticated folded optics, Soraa creates very controlled beam angles from 9 to 60 degrees, even in challenging form factors resulting in smooth uniform beams and crisp shadows

**FLICKER**

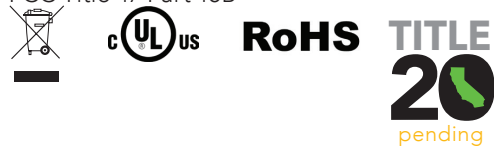
Soraa lamps demonstrate low levels of flicker in both dimmed and undimmed states

**ENERGY EFFICIENCY AND LONG LIFE**

85% more energy efficient than standard halogen lamps  
 Typical payback of one year or less  
 Rated lifetime to L70: 35,000hrs  
 Warranty: 3yrs or 25,000hrs whichever comes first

**CERTIFICATIONS**

Title 20 certification pending, RoHS, CE, UL/CUL, FCC Title 47 Part 15B



Output Range	1190 - 1230 lumen
Beam Angle Range	9°, 25°, 36°, 60°
Color Metrics	CCT: 2700K, 3000K Color Rendering CIE Metrics: CRI 92, R9 50
Application	Halogen replacement for indoor and outdoor



**HIGHLY COMPATIBLE**

Thermally and geometrically compatible with standard fixtures and suitable for damp locations  
 Suitable for fully enclosed fixtures. Can be used with front glass cover  
 Works with trailing edge and leading edge phase cut dimmers

**INTENDED USE AND APPLICATIONS**

Intended for use in PAR30S compatible recessed downlights, track lighting and other indoor and outdoor applications  
 Soraa lamps are designed to safely turn down in any thermal environment not conducive to minimum airflow or proper ventilation

**GENERAL SPECIFICATIONS**

**Form Factor**

Width: 96mm (3.78")  
 Height: 82mm (3.23")  
 Weight: 269g

**Operating Temperature**

Minimum: -40°C (ambient)  
 Typical: 60°C - 70°C (base)  
 Maximum: 80°C (base)

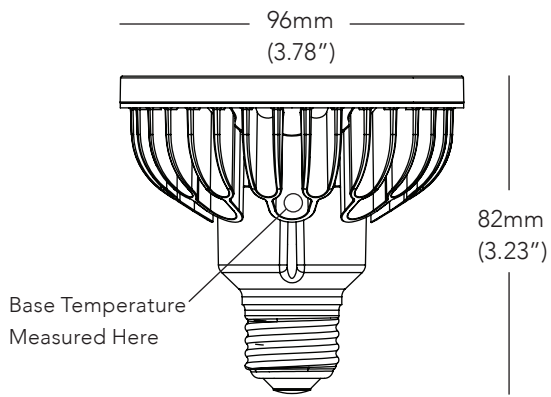
**Electrical**

Wattage: 14W  
 Power factor: 0.97  
 Voltage: 120V +/- 12V  
 Frequency: 50/60Hz

**Dimming**

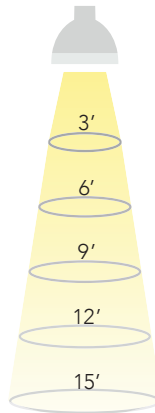
Dimmable to <20%

## DIMENSIONS



### 9 DEGREE BEAM

Beam Dia at 50% CBCP (ft)	Field Dia at 10% CBCP (ft)	Foot-candles (% of CBCP)
0.5	0.8	8.6%
0.9	1.7	2.5%
1.4	2.5	1.2%
1.9	3.4	0.7%
2.4	4.2	0.4%

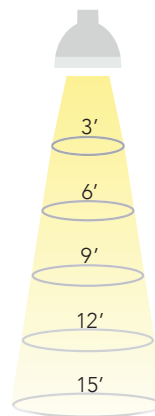


### 25 DEGREE BEAM

Beam Dia at 50% CBCP (ft)	Field Dia at 10% CBCP (ft)	Foot-candles (% of CBCP)
1.3	2.2	8.6%
2.7	4.4	2.5%
4.0	6.6	1.2%
5.3	8.7	0.7%
6.7	10.9	0.4%

### 60 DEGREE BEAM

Beam Dia at 50% CBCP (ft)	Field Dia at 10% CBCP (ft)	Foot-candles (% of CBCP)
1.9	3.5	8.6%
3.9	6.9	2.5%
5.8	10.4	1.2%
7.8	13.9	0.7%
9.7	17.3	0.4%



Beam Dia at 50% CBCP (ft)	Field Dia at 10% CBCP (ft)	Foot-candles (% of CBCP)
3.5	6.0	8.6%
6.9	12.0	2.5%
10.4	18.0	1.2%
13.9	24.0	0.7%
17.3	30.0	0.4%

Note: Footcandles may be calculated by multiplying the CBCP of the desired model number by the percentage in the tables above

Model #	Product Code	CCT (K)	Beam Angle	Field Angle	CBCP (Cd)	Halogen Equiv	Total Flux (Lm)	Efficacy (Lm/W)	CRI	McA	Title 20
<b>BRILLIANT HL SERIES</b>											
SP30S-14-9D-827-H1	08825	2700	9	16	22015	100	1190	87	92	3	pending
<b>SP30S-14-25D-827-H1</b>	<b>08829</b>	<b>2700</b>	<b>25</b>	<b>40</b>	<b>6425</b>	<b>100</b>	<b>1190</b>	<b>87</b>	<b>92</b>	<b>3</b>	<b>pending</b>
SP30S-14-36D-827-H1	08833	2700	36	60	2975	100	1190	87	92	3	pending
SP30S-14-60D-827-H1	08837	2700	60	90	1310	100	1190	87	92	3	pending
SP30S-14-9D-830-H1	08827	3000	9	16	22755	100	1230	90	92	3	pending
SP30S-14-25D-830-H1	08831	3000	25	40	6640	100	1230	90	92	3	pending
SP30S-14-36D-830-H1	08835	3000	36	60	3075	100	1230	90	92	3	pending
SP30S-14-60D-830-H1	08839	3000	60	90	1350	100	1230	90	92	3	pending

CCT: Correlated Color Temperature **McA**: White Point Accuracy in McA step **SNAP**: SORAA SNAP System Compatible

\*Specifications are at stable warm operating conditions (25°C ambient)

